

REINFORCING BAR SCHEDULE

INLET LENGTH	BAR MARK NUMBER	BAR DIAGRAM TYPE	BAR SIZE	NUMBER REQUIRED	BAR BENDING DIMENSIONS		
					A	B	C
8	A	I	#3	9	3'-2"	6"	-
	B	II	#3	2	6'-8"	6"	-
	C	II	#4	VARIES	8'-8"	6"	-
	D	II	#4	12	12'-8"	6"	-
	E	IV	#3	7	4'-0"	-	-
	F	II	#3	2	4'-0"	-	-
	G	V	#4	10	3'-2"	3'-2"	**
	H	III	#4	VARIES	12'-8"	6"	-
10	A	I	#3	14	3'-2"	6"	-
	B	II	#3	2	6'-8"	6"	-
	C	II	#4	VARIES	10'-8"	6"	-
	D	II	#4	12	12'-8"	6"	-
	E	IV	#3	8	4'-0"	-	-
	F	II	#3	2	4'-0"	-	-
	G	V	#4	12	3'-2"	3'-2"	**
	H	III	#4	VARIES	12'-8"	6"	-
12	A	I	#3	10	3'-2"	6"	-
	B	II	#3	2	10'-8"	6"	-
	C	II	#4	VARIES	12'-8"	6"	-
	D	II	#4	12	12'-8"	6"	-
	E	IV	#3	12	4'-0"	-	-
	F	II	#3	2	4'-0"	-	-
	G	V	#4	10	3'-2"	3'-2"	**
	H	III	#4	VARIES	12'-8"	6"	-
14	A	I	#3	14	3'-2"	6"	-
	B	II	#3	2	12'-8"	6"	-
	C	II	#4	VARIES	14'-8"	6"	-
	D	II	#4	6	14'-8"	6"	-
	E	IV	#3	16	4'-0"	-	-
	F	II	#3	2	4'-0"	-	-
	G	V	#4	14	3'-2"	3'-2"	**
	H	III	#4	VARIES	12'-8"	6"	-

\* SEE BAR DIAGRAM FOR DIMENSIONS. LENGTH VARIES DUE TO DEPTH OF INLET.

\*\* 1'-3 1/4" and 7 3/4" dimensions shown in bar diagram.

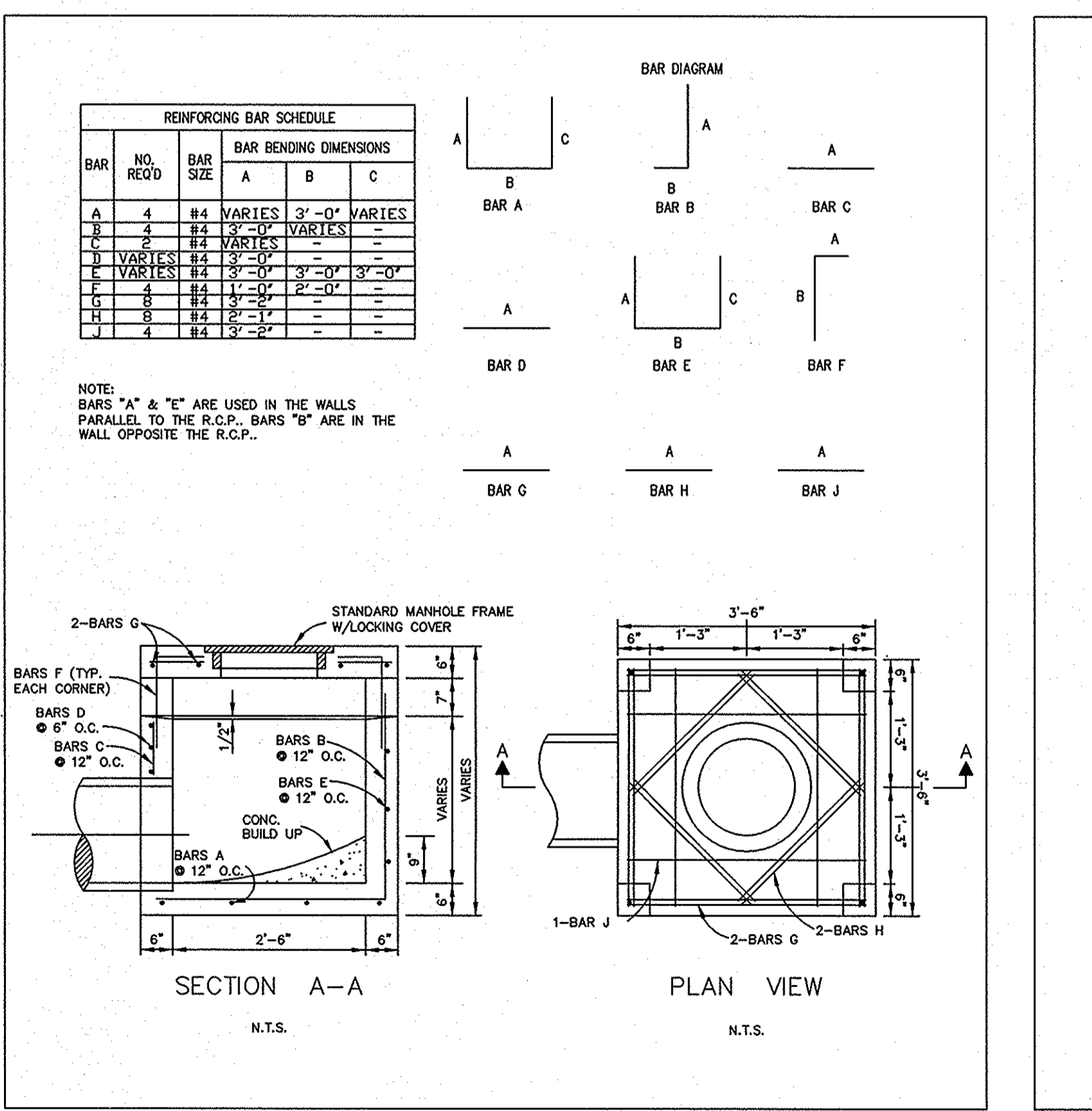
GENERAL DESIGN STANDARDS DRAINAGE DETAILS  
 SCALE: N.T.S. DATE: 1/2001 SHEET NUMBER: 1 OF 6 SHEETS  
**D-1**  
 CURB LINE INLET PLAN VIEW  
 CARROLLTON DEPARTMENT OF PUBLIC WORKS  
 1945 E. JACKSON ROAD CARROLLTON, TEXAS 75006 WWW.CI.CARROLLTON.TX.US (972)466-3200

GENERAL DESIGN STANDARDS DRAINAGE DETAILS  
 SCALE: N.T.S. DATE: 1/2001 SHEET NUMBER: 3 OF 6 SHEETS  
**D-1**  
 CURB LINE INLET CROSS SECTIONS  
 CARROLLTON DEPARTMENT OF PUBLIC WORKS  
 1945 E. JACKSON ROAD CARROLLTON, TEXAS 75006 WWW.CI.CARROLLTON.TX.US (972)466-3200

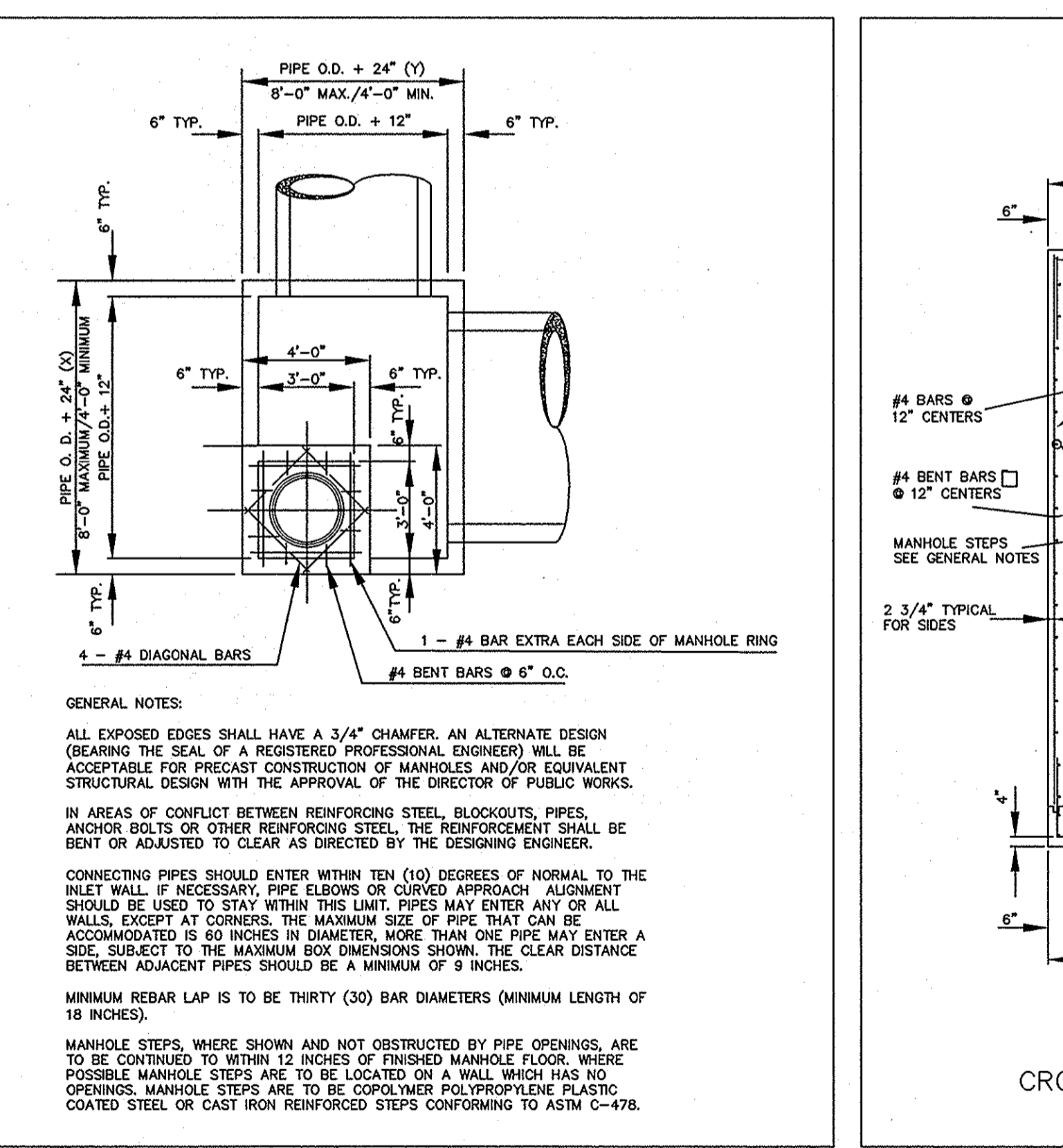
GENERAL DESIGN STANDARDS DRAINAGE DETAILS  
 SCALE: N.T.S. DATE: 1/2001 SHEET NUMBER: 4 OF 6 SHEETS  
**D-1**  
 CURB LINE INLET REINFORCING  
 CARROLLTON DEPARTMENT OF PUBLIC WORKS  
 1945 E. JACKSON ROAD CARROLLTON, TEXAS 75006 WWW.CI.CARROLLTON.TX.US (972)466-3200

GENERAL DESIGN STANDARDS DRAINAGE DETAILS  
 SCALE: N.T.S. DATE: 1/2001 SHEET NUMBER: 6 OF 6 SHEETS  
**D-1**  
 CURB LINE INLET REINFORCING BAR SCHEDULE  
 CARROLLTON DEPARTMENT OF PUBLIC WORKS  
 1945 E. JACKSON ROAD CARROLLTON, TEXAS 75006 WWW.CI.CARROLLTON.TX.US (972)466-3200

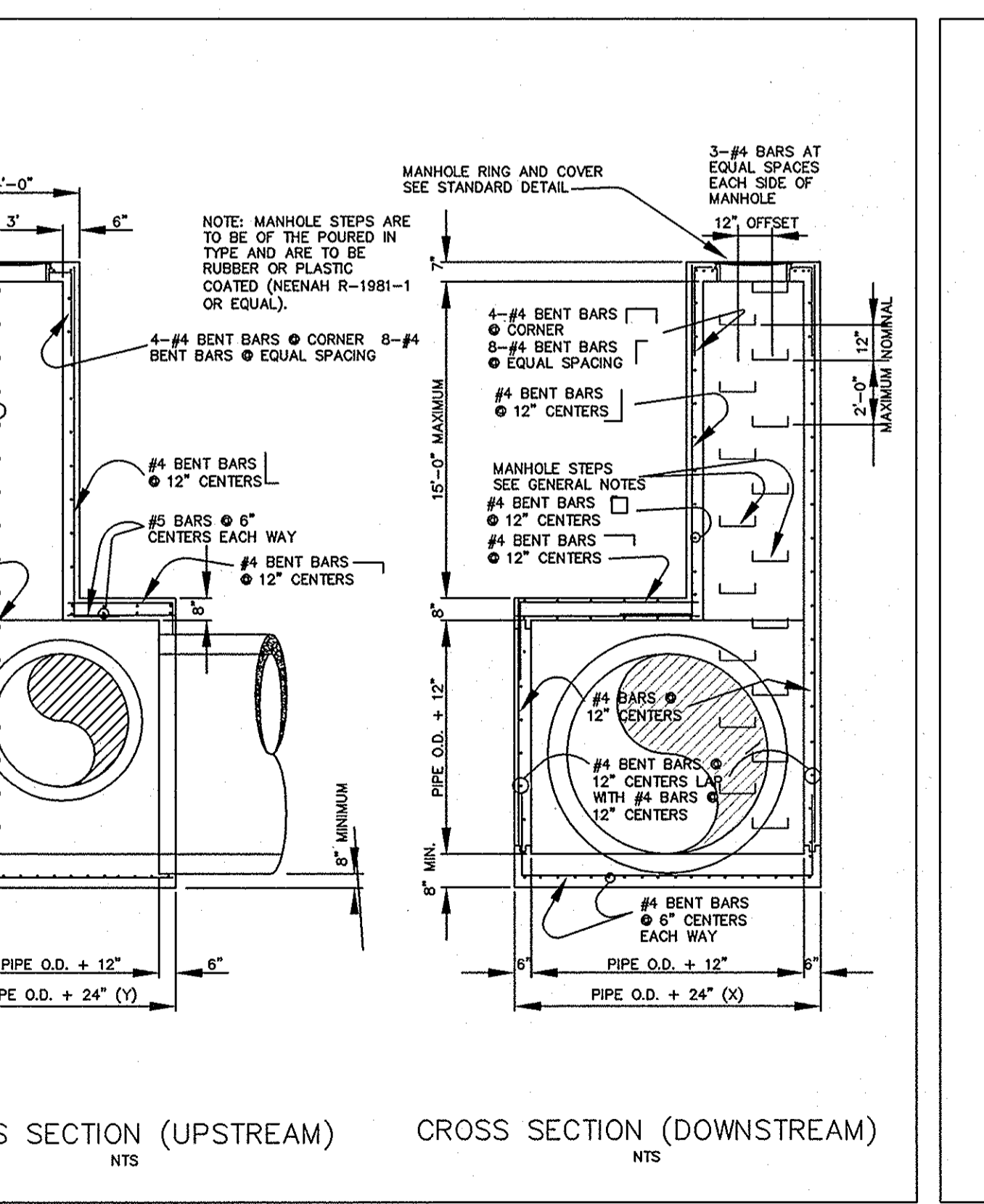
NOTE:  
 FOR WORK WITHIN THE CITY OF DALLAS REFER TO THE CITY OF DALLAS CONSTRUCTION STANDARDS AS SPECIFIED IN THE FILE 2510-1.



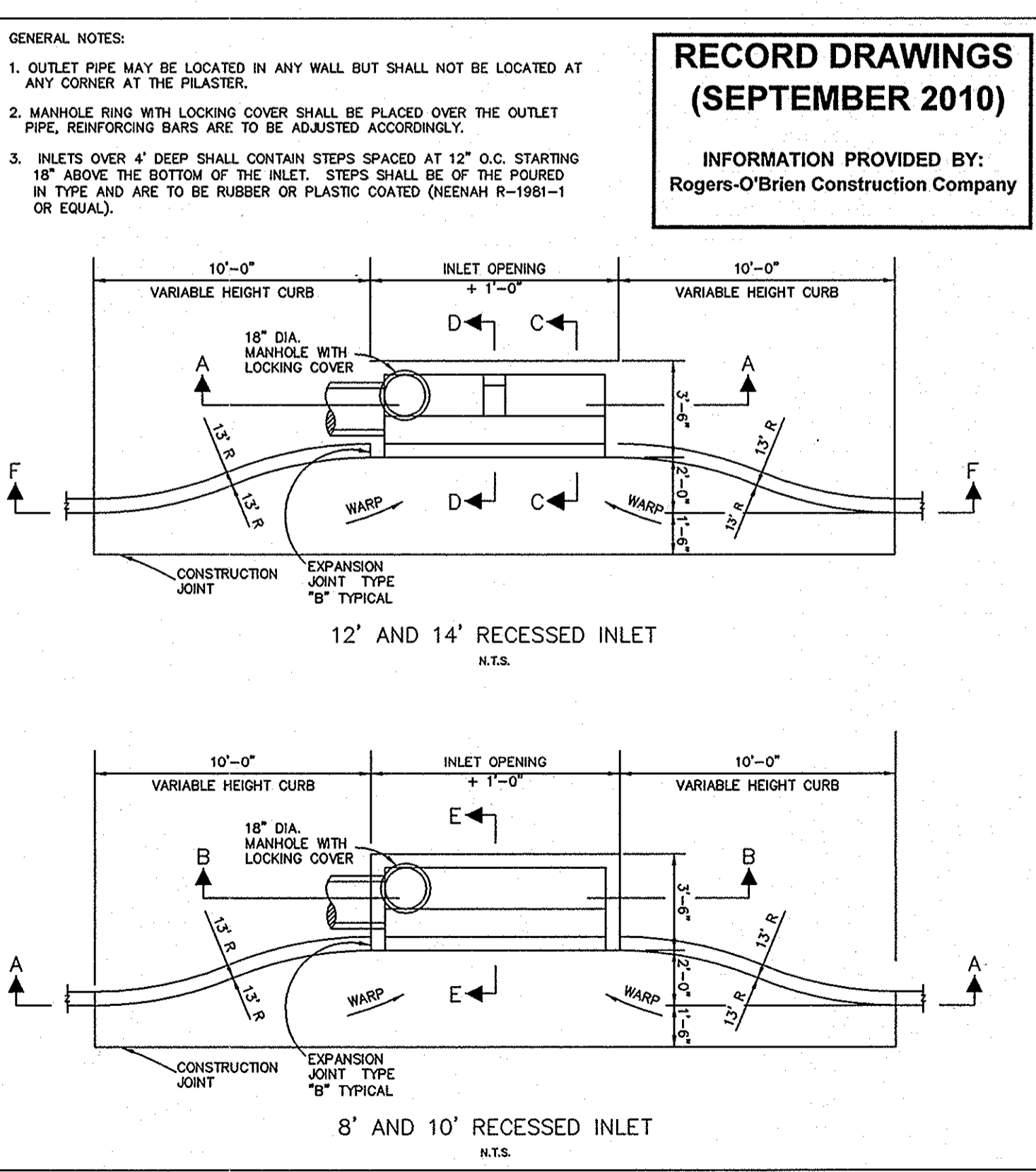
GENERAL DESIGN STANDARDS DRAINAGE DETAILS  
 SCALE: N.T.S. DATE: 1/2001 SHEET NUMBER: 1 OF 1 SHEETS  
**D-2**  
 "Y" TYPE INLET DETAILS  
 CARROLLTON DEPARTMENT OF PUBLIC WORKS  
 1945 E. JACKSON ROAD CARROLLTON, TEXAS 75006 WWW.CI.CARROLLTON.TX.US (972)466-3200



GENERAL DESIGN STANDARDS DRAINAGE DETAILS  
 SCALE: N.T.S. DATE: 1/2001 SHEET NUMBER: 1 OF 2 SHEETS  
**D-3**  
 STORM DRAIN MANHOLE DETAILS  
 CARROLLTON DEPARTMENT OF PUBLIC WORKS  
 1945 E. JACKSON ROAD CARROLLTON, TEXAS 75006 WWW.CI.CARROLLTON.TX.US (972)466-3200



GENERAL DESIGN STANDARDS DRAINAGE DETAILS  
 SCALE: N.T.S. DATE: 1/2001 SHEET NUMBER: 1 OF 1 SHEETS  
**D-3**  
 STORM DRAIN RECESSED CURB INLET  
 CARROLLTON DEPARTMENT OF PUBLIC WORKS  
 1945 E. JACKSON ROAD CARROLLTON, TEXAS 75006 WWW.CI.CARROLLTON.TX.US (972)466-3200



GENERAL DESIGN STANDARDS DRAINAGE DETAILS  
 SCALE: N.T.S. DATE: 1/2001 SHEET NUMBER: 2 OF 6 SHEETS  
**D-1**  
 STORM DRAIN RECESSED CURB INLET DETAILS  
 CARROLLTON DEPARTMENT OF PUBLIC WORKS  
 1945 E. JACKSON ROAD CARROLLTON, TEXAS 75006 WWW.CI.CARROLLTON.TX.US (972)466-3200

Kimley-Horn and Associates, Inc.  
 5750 Genesis Court, Suite 200  
 Frisco, Texas 75034  
 Tel. No. (972) 335-3680  
 Fax No. (972) 335-3779  
 State of Texas Registration No. F-828

STATE OF TEXAS  
 DAVID K. KOCHALKA  
 87781  
 LICENSED PROFESSIONAL ENGINEER  
 1/19/08

METHODIST HOSPITAL FOR SURGERY  
 ADDISON, TEXAS  
 FILE NUMBER: 311T-7863

CONSTRUCTION DETAILS

AS SHOWN  
 Scale: RCO  
 Designed by: RCO  
 Drawn by: RCO  
 Checked by: DMK  
 Date: 11/08/09  
 Project No.: 6902000

SHEET C-20