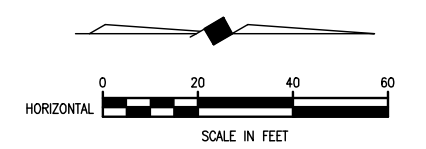
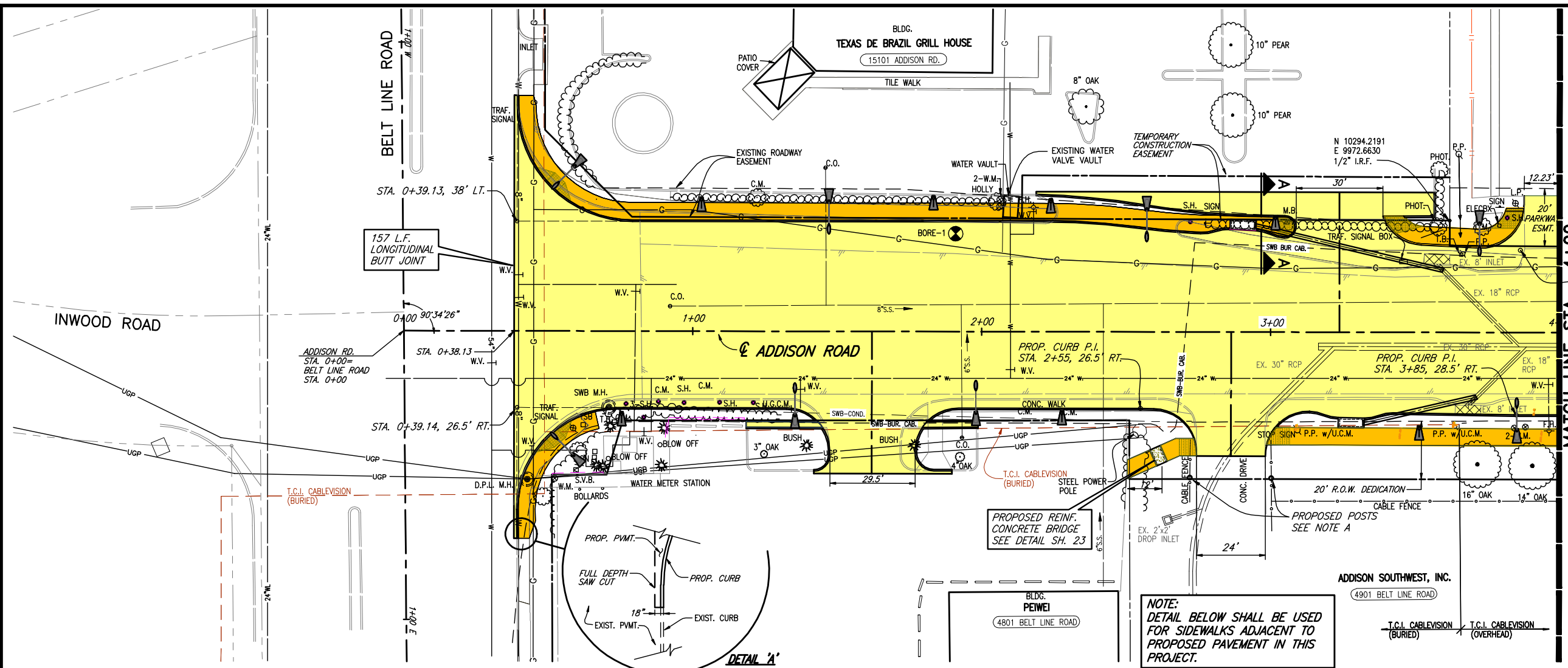
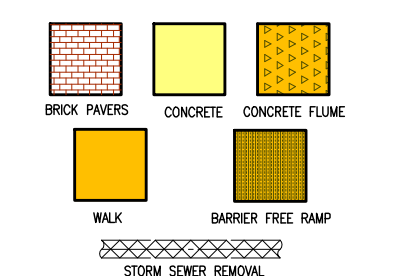


REVISIONS: 5/6/10 - RLOWE
 H:\Projects\Addison\2002102\PHASE1\Sheets-As-Built\2002102005_PP.dwg
 PLOT SCALE: 1:1.0101
 PLOT STYLE: 11x17PLAN.ctb
 PLOTTED BY: RLOWE ON 5/14/2010



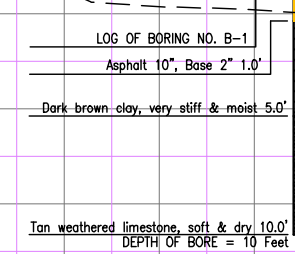
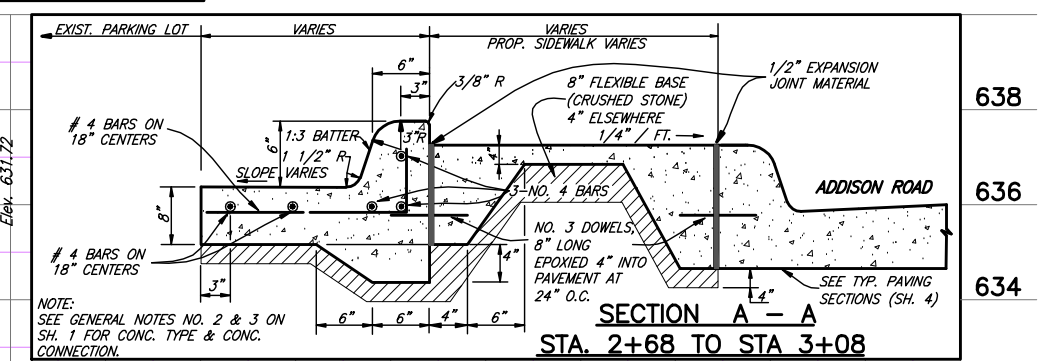
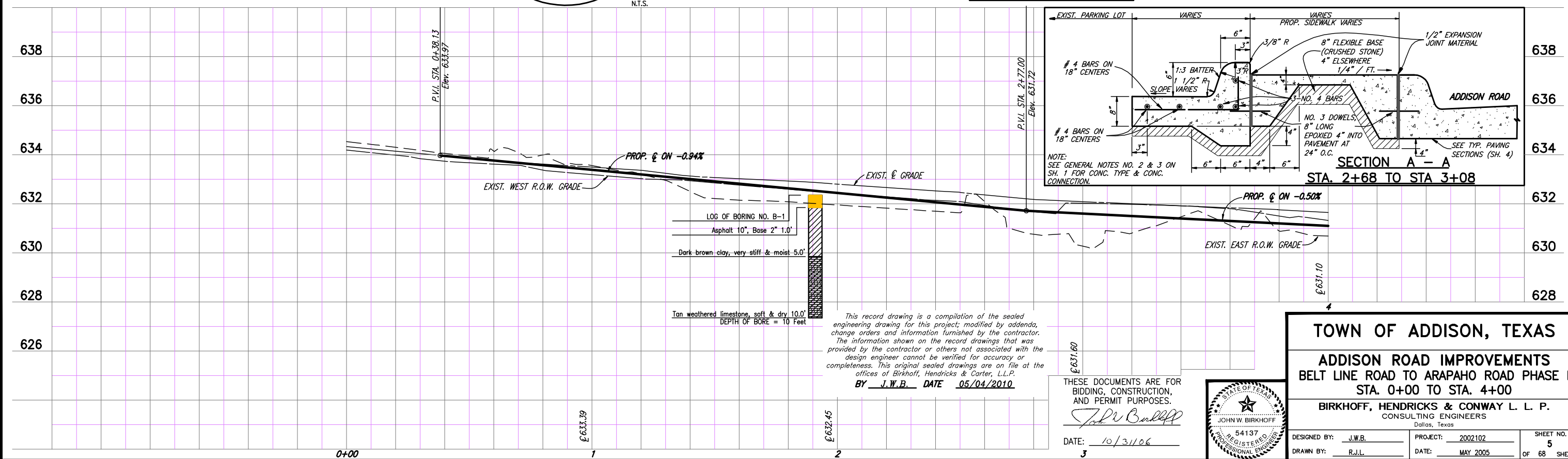
B.M.#19 "□" CUT IN CENTER OF INLET 150 FEET SOUTH OF BELT LINE RD., EAST OF INWOOD RD. ELEV. 630.59
 T.B.M. AR-1 "□" CUT IN TOP OF VAULT NORTHEAST CORNER OF ADDISON RD. AND BELT LINE RD. ELEV. 634.80
 T.B.M. AR-2 "□" CUT IN CENTER OF INLET EAST SIDE OF ADDISON RD., & STA. 9+87, 52 FEET RT. ELEV. 628.79
 PROP. CURB P.I. STA. 3+86.42, 28.5' LT.



NOTE A:
 EXISTING CABLE FENCE SHALL BE REMOVED BETWEEN ADDISON RD. AND EAST R.O.W. LINE. FURNISH & INSTALL 2-TERMINAL POSTS. POSTS MATERIAL SHALL BE OF SAME OR BETTER QUALITY AS EXISTING POST.
 FOR SUMMARY OF ABBREVIATIONS SEE SHEET INDEX/GENERAL NOTES SHEET

These plans and related specifications were prepared for construction of this specific project only. Reuse of these documents is not permitted without written authorization of Birkhoff, Hendricks, & Conway, L.L.P.

NOTE:
 DETAIL BELOW SHALL BE USED FOR SIDEWALKS ADJACENT TO PROPOSED PAVEMENT IN THIS PROJECT.



This record drawing is a compilation of the sealed engineering drawing for this project; modified by addenda, change orders and information furnished by the contractor. The information shown on the record drawings that was provided by the contractor or others not associated with the design engineer cannot be verified for accuracy or completeness. This original sealed drawings are on file at the offices of Birkhoff, Hendricks & Carter, L.L.P.
 BY J.W.B. DATE 05/04/2010

THESE DOCUMENTS ARE FOR BIDDING, CONSTRUCTION, AND PERMIT PURPOSES.
 DATE: 10/31/06



TOWN OF ADDISON, TEXAS
ADDISON ROAD IMPROVEMENTS
BELT LINE ROAD TO ARAPAHO ROAD PHASE I
STA. 0+00 TO STA. 4+00
BIRKHOFF, HENDRICKS & CONWAY L. L. P.
 CONSULTING ENGINEERS
 Dallas, Texas

DESIGNED BY: J.W.B.	PROJECT NO: 2002102	SHEET NO: 5
DRAWN BY: R.J.L.	DATE: MAY 2005	OF 68 SHEETS