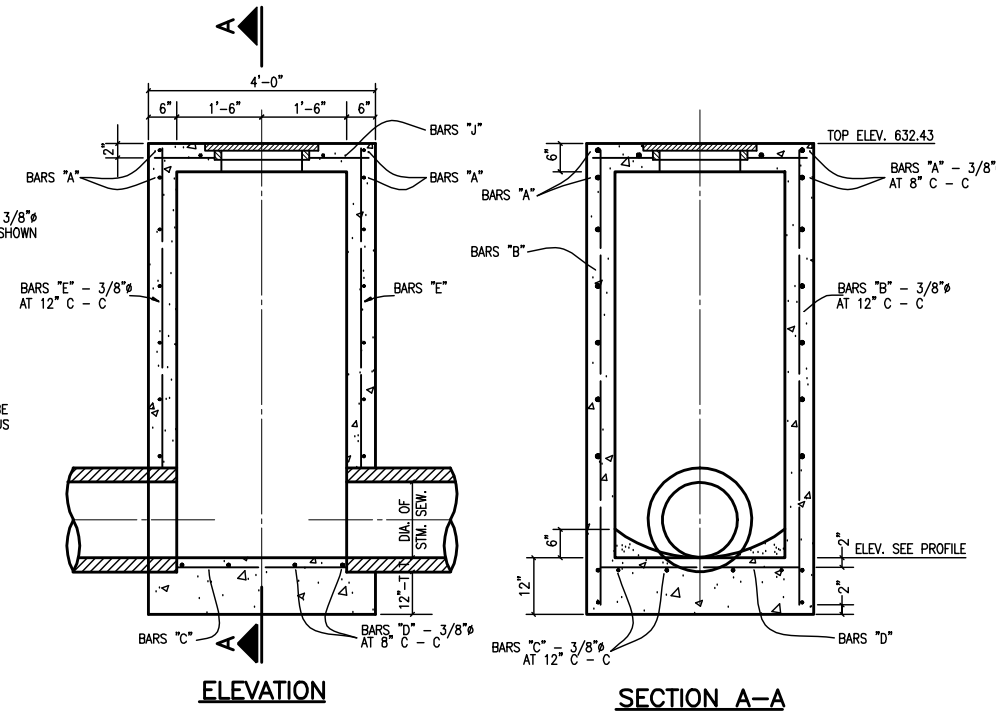
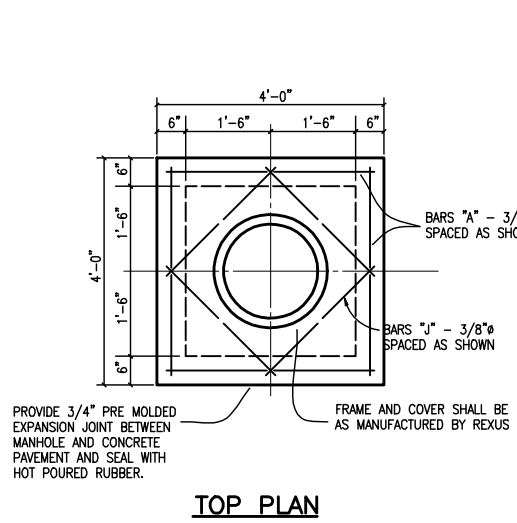
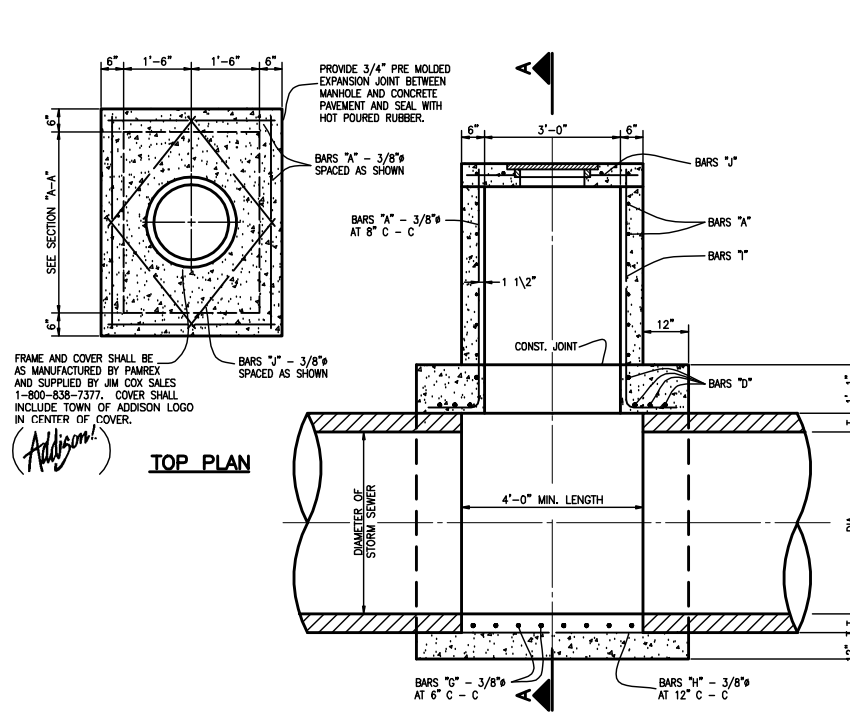


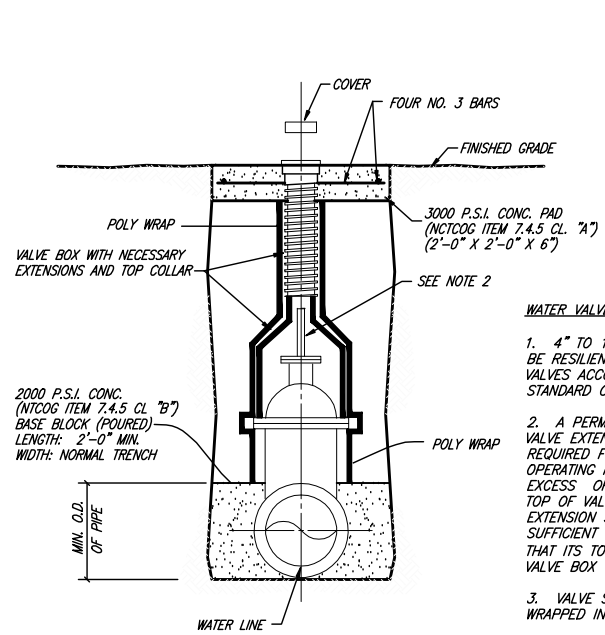
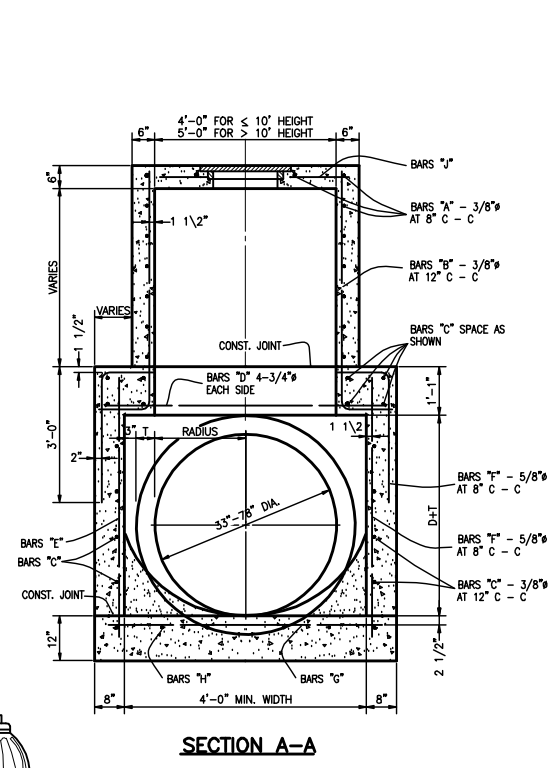
PLOTTED BY: RLOWE ON 5/14/2010
 PLOT STYLE: 11x17.ctb
 PLOT SCALE: 1:1.0101
 H:\Projects\Addison\2002102\PHASE I\Sheet_Sheets-Ae-Built\2002102C25_Detail.dwg
 REVISED: 5/6/10 - RLOWE



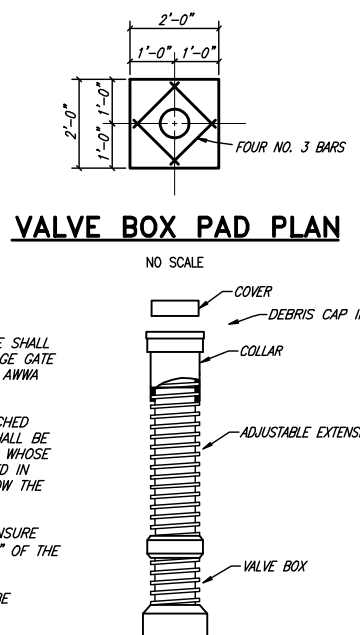
STORM SEWER TYPE A MANHOLE



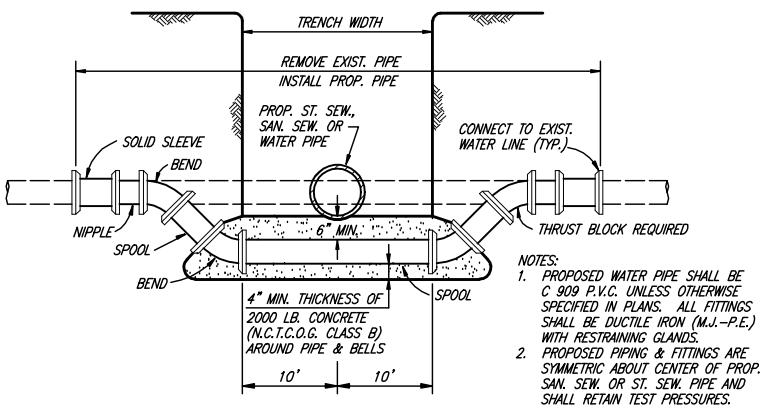
STORM SEWER TYPE B MANHOLE



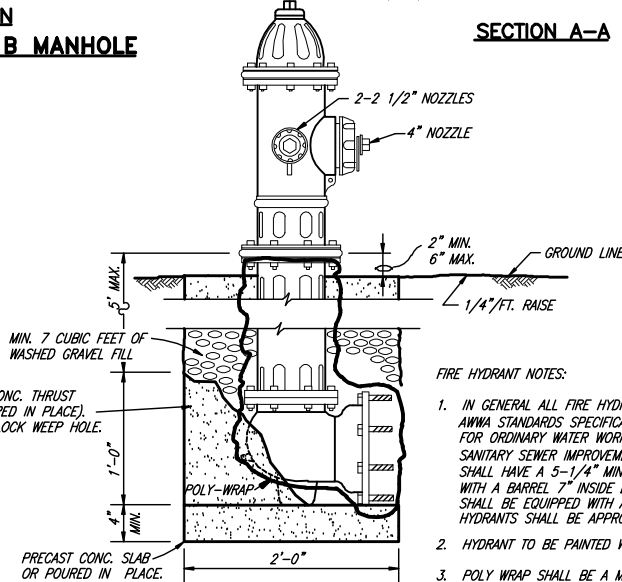
VALVE SETTING & BOX



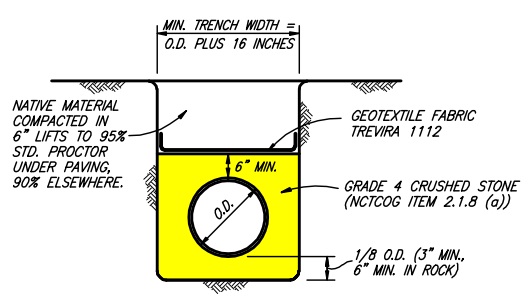
VALVE BOX WITH EXTENSION



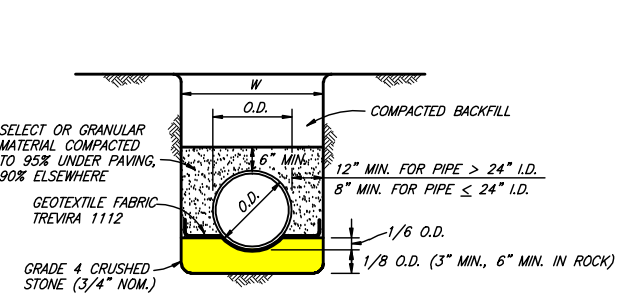
WATER MAIN LOWERING



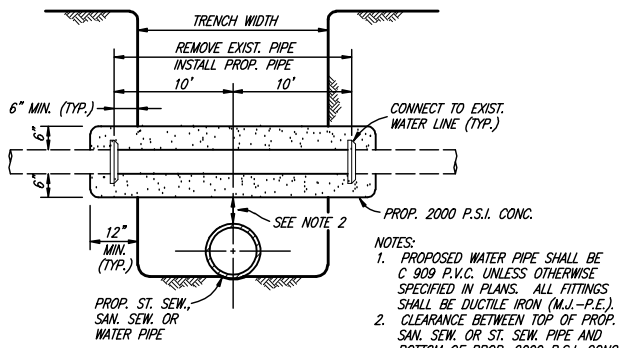
TYPICAL FIRE HYDRANT INSTALLATION



WATER & SANITARY SEWER EMBEDMENT



STORM SEWER PIPE EMBEDMENT



(WATER & SEWER) UTILITY SUPPORT

This record drawing is a compilation of the sealed engineering drawing for this project; modified by addenda, change orders and information furnished by the contractor. The information shown on the record drawings that is provided by the contractor or others not associated with the design engineer cannot be verified for accuracy or completeness. This original sealed drawings are on file at the offices of Birkhoff, Hendricks & Carter, L.L.P.
 BY J.W.B. DATE 05/04/2010

THESE DOCUMENTS ARE FOR BIDDING, CONSTRUCTION, AND PERMIT PURPOSES.

DATE: 10/31/06



TOWN OF ADDISON, TEXAS

ADDISON ROAD IMPROVEMENTS
BELT LINE ROAD TO ARAPAHO ROAD PHASE I
DETAILS

BIRKHOFF, HENDRICKS & CONWAY L. L. P.
 CONSULTING ENGINEERS
 Dallas, Texas

DESIGNED BY: <u>J.W.B.</u>	PROJECT: <u>2002 102</u>	SHEET NO. <u>25</u>
DRAWN BY: <u>M.W.C.</u>	DATE: <u>SEPTEMBER 2006</u>	OF <u>68</u> SHEETS

These plans and related specifications were prepared for construction of this specific project only. Reuse of these documents is not permitted without written authorization of Birkhoff, Hendricks, & Conway, L.L.P.