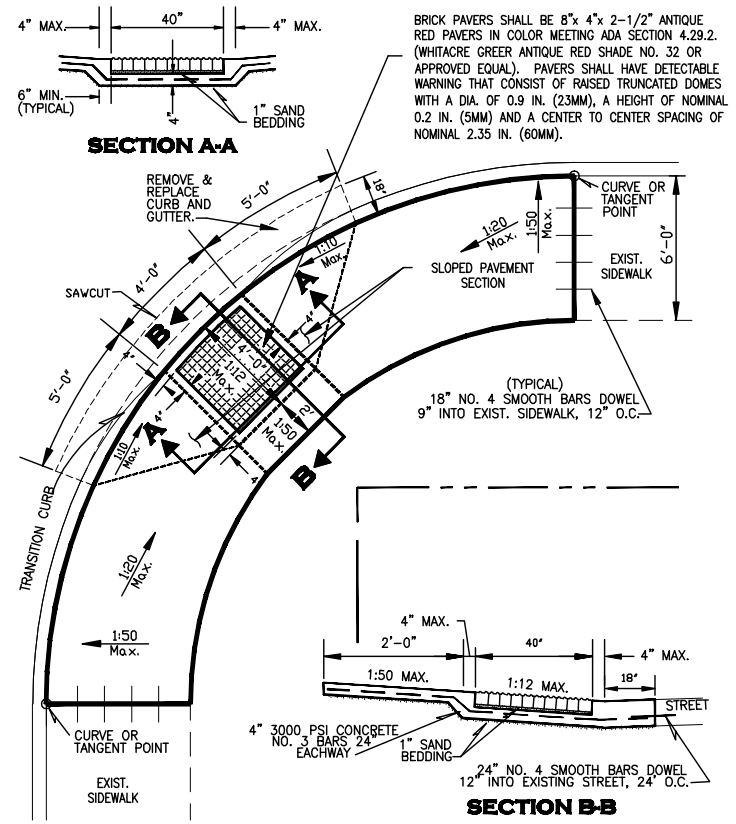
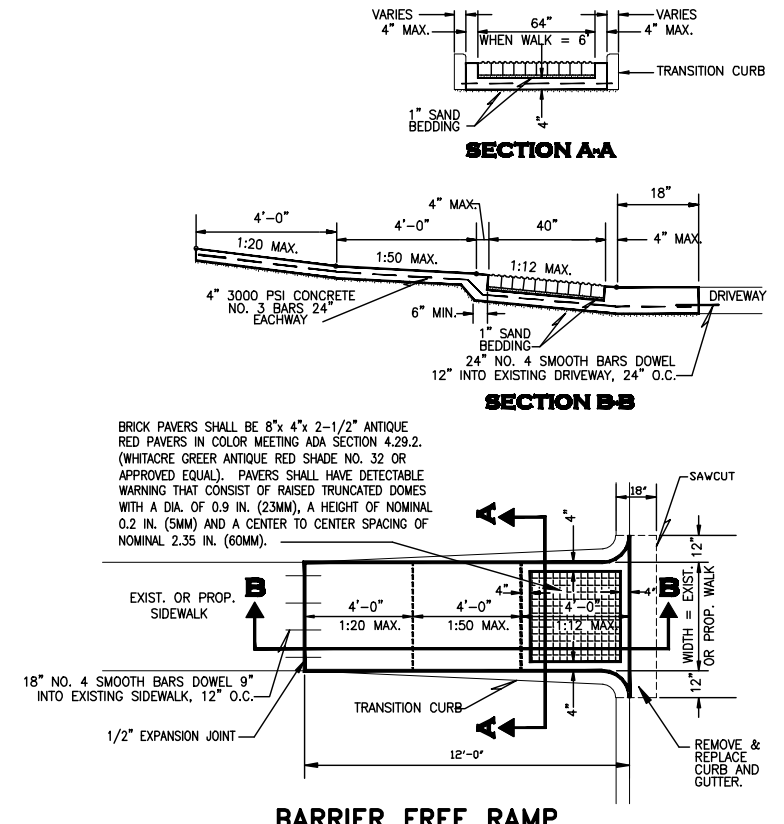


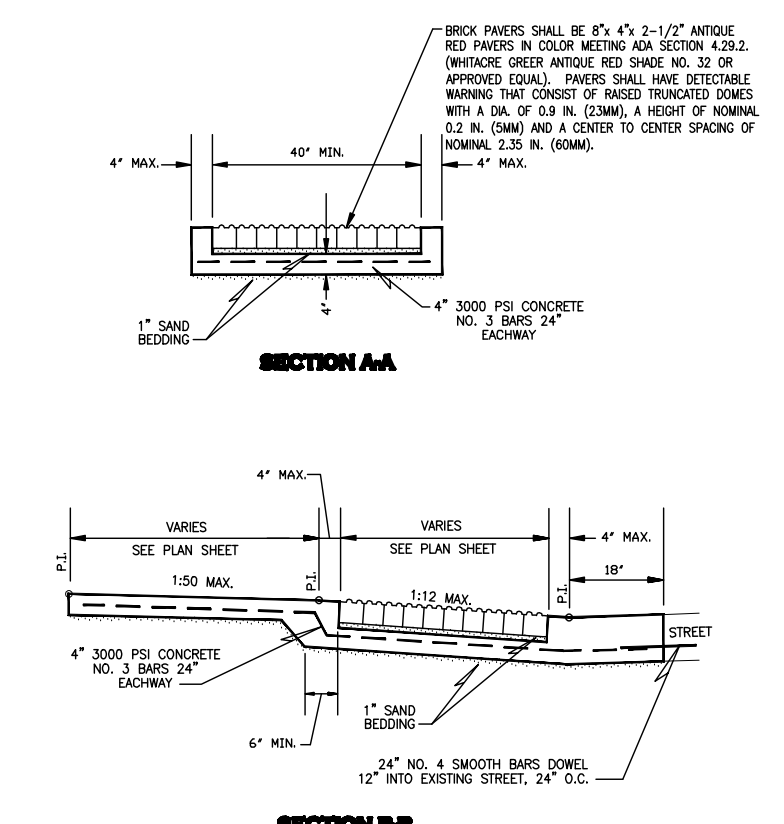
PLOTTED BY: RLOWE ON 5/14/2010
 PLOT STYLE: 1:1x17.ctb
 PLOT SCALE: 1:1.0101
 H:\Projects\Addison\2002102\PHASE1\Sheet\Sheet-As-Built\2002102C30_Detail.dwg
 REVISION: 5/16/10 - RLOWE



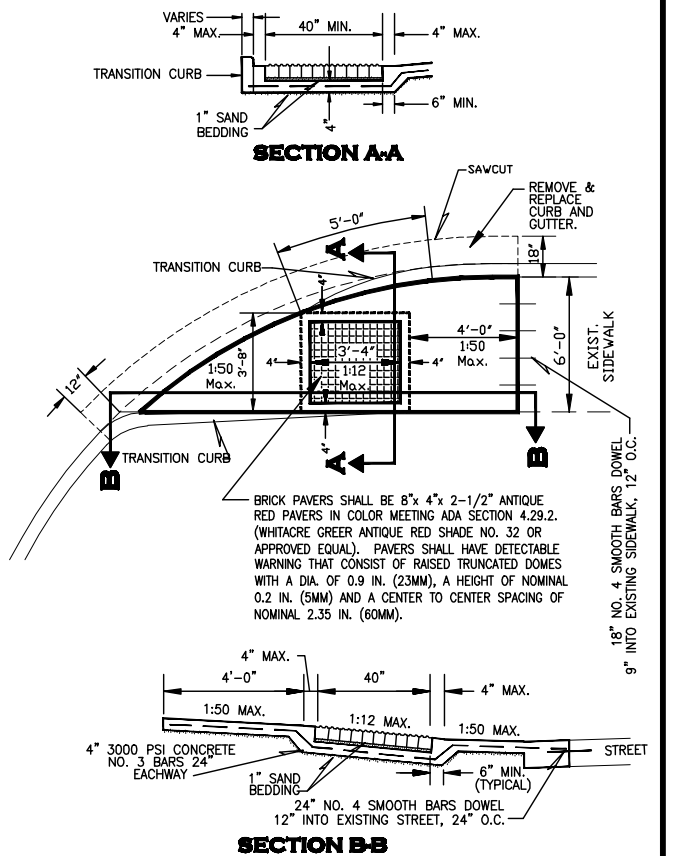
BARRIER FREE RAMP AT STREET INTERSECTION



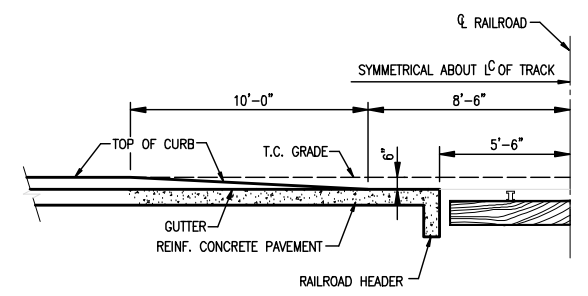
BARRIER FREE RAMP AT COMMERCIAL DRIVEWAY (1) AND RESIDENTIAL DRIVEWAY



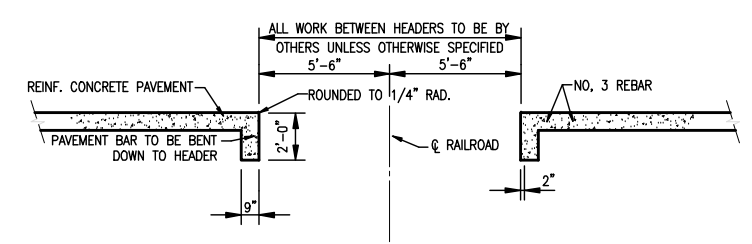
TYPICAL SECTION DETAILS



BARRIER FREE RAMP AT COMMERCIAL DRIVEWAY (2) AND RESIDENTIAL DRIVEWAY



CURB DETAIL AT RAILROAD



RAILROAD HEADER

NOTE: HEADER AND PAVEMENT TO BE MONOLITHIC

This record drawing is a compilation of the sealed engineering drawing for this project, modified by addenda, change orders and information furnished by the contractor. The information shown on the record drawings that was provided by the contractor or others not associated with the design engineer cannot be verified for accuracy or completeness. This original sealed drawings are on file at the offices of Birkhoff, Hendricks & Carter, L.L.P.

BY J.W.B. DATE 05/04/2010

THESE DOCUMENTS ARE FOR BIDDING, CONSTRUCTION, AND PERMIT PURPOSES.
John Birkhoff
 DATE: 10/31/06



TOWN OF ADDISON, TEXAS		
ADDISON ROAD IMPROVEMENTS		
BELT LINE ROAD TO ARAPAHO ROAD PHASE I		
DETAILS		
BIRKHOFF, HENDRICKS & CONWAY L. L. P.		
CONSULTING ENGINEERS Dallas, Texas		
DESIGNED BY: <u>J.W.B.</u>	PROJECT: <u>2002 102</u>	SHEET NO. <u>30</u>
DRAWN BY: <u>R.J.L.</u>	DATE: <u>SEPTEMBER 2006</u>	OF <u>68</u> SHEETS

These plans and related specifications were prepared for construction of this specific project only. Reuse of these documents is not permitted without written authorization of Birkhoff, Hendricks, & Conway, L.L.P.