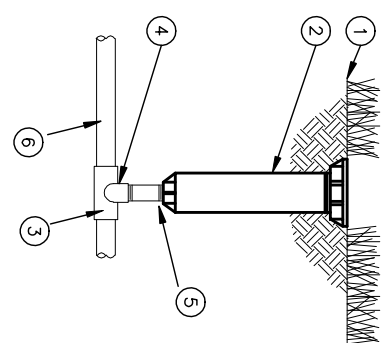


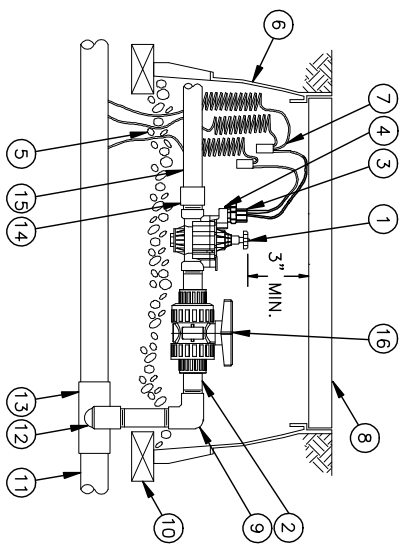
RAIN BIRD 1800 SERIES



- 1 FINISH GRADE/TOP 1/2" ABOVE TOP OF MULCH
- 2 POP-UP SPRAY SPRINKLER: RAIN BIRD 1800
- 3 PVC SCH 40 FITTING
- 4 PVC SCH 40 ELL
- 5 6" GREEN NIPPLES CUT TO FIT.
- 6 PVC LATERAL PIPE

INSTALLATION DETAIL
NO SCALE

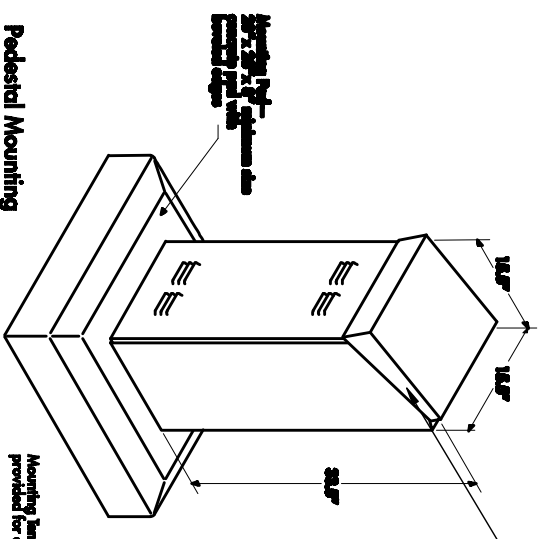
REMOTE CONTROL VALVE WEATHERMATIC 11000CR SERIES



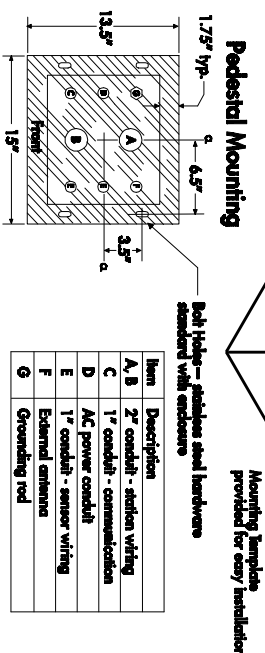
- 1 Weathermatic 11000 FCR SERIES REMOTE CONTROL VALVE
- 2 INSTALL THREADED MALE ADAPTER WITH TELFON TAPE/TYP.
- 3 SOLENOID
- 4 MANUAL BLEED LEVER
- 5 4.0-INCH MINIMUM DEPTH OF 3/4-INCH WASHED GRAVEL
- 6 AMETEK RECTANGULAR PLASTIC BOX
- 7 EXPANSION COIL & WATERPROOF CONNECTOR
- 8 FINISH GRADE/TOP 1/2" ABOVE TOP OF MULCH
- 9 PVC SCH. 40 ELBOW
- 10 BRICK (1 OF 4)
- 11 SCH. 40 MAINLINE PIPE
- 12 PVC SCH. 40 ELL
- 13 PVC SCH. 40 TEE OR ELL
- 14 PVC SCH. 40 MALE ADAPTER
- 15 PVC LATERAL PIPE
- 16 PVC BALL VALVE

INSTALLATION DETAIL
NO SCALE

EVOLUTION DX2 STAINLESS STEEL PEDESTAL CABINET INSTALLATION



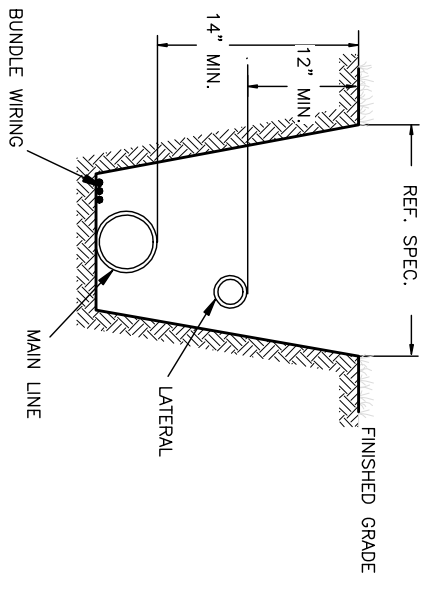
RAIN MASTER EVOLUTION DX-2 CONTROLLER—ELECTRICAL POWER DISTRIBUTION AND PHONE SERVICE LINES TO THE IRRIGATION CONTROLLERS SHALL BE THE RESPONSIBILITY OF THE IRRIGATION CONTRACTOR. THE ELECTRICAL AND PHONE LINES (AND ALL RELATED WORK) SHALL BE INSTALLED PER ALL LOCAL, STATE AND NATIONAL CODES.



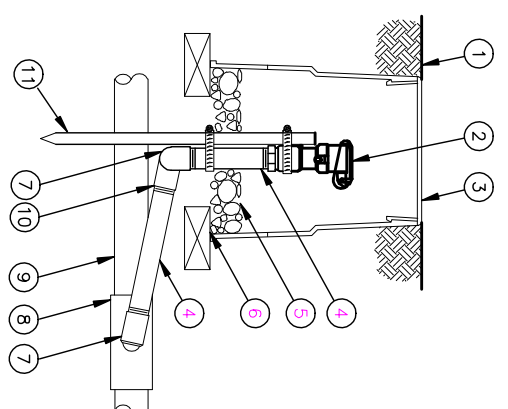
Item	Description
A, B	2" conduit - station wiring
C	1" conduit - communication
D	AC power conduit
E	1" conduit - sensor wiring
F	External antenna
G	Grounding rod

INSTALLATION DETAIL
NO SCALE

TRENCHING DETAIL
NO SCALE



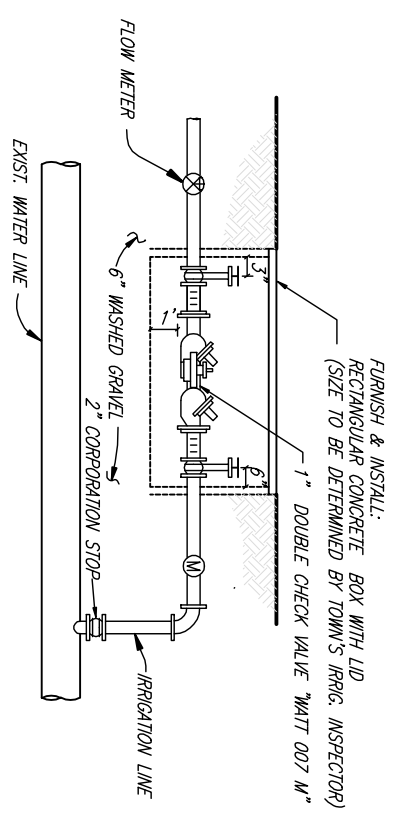
QUICK COUPLER VALVE BUCKNER V075



- 1 FINISH GRADE/TOP 1/2" ABOVE TOP OF MULCH
- 2 QUICK-COUPLING VALVE: BUCKNER V075
- 3 10" ROUND PLASTIC AMETEK VALVE BOX.
- 4 PVC SCH 80 NIPPLE (LENGTH AS REQUIRED)
- 5 3-INCH MINIMUM DEPTH OF 3/4-INCH WASHED GRAVEL
- 6 BRICK (1 OF 2)
- 7 PVC SCH 40 STREET ELL
- 8 PVC SCH 40 TEE OR ELL
- 9 PVC MAINLINE PIPE
- 10 PVC SCH 40 ELL
- 11 1/2" Dia. X .18" STEEL REBAR WITH STAINLESS STEEL WORN SCREW CLAMP.

INSTALLATION DETAIL
NO SCALE

DOUBLE CHECK VALVE ASSEMBLY



INSTALLATION DETAIL
NO SCALE

TOWN OF ADDISON, TEXAS

ADDISON ROAD IMPROVEMENTS
BELT LINE ROAD TO ARAPAHO ROAD PHASE I
ADDISON ROAD IRRIGATION NOTES & DETAILS
BIRKHOFF, HENDRICKS & CONWAY, L.L.P.
CONSULTING ENGINEERS
Dallas, Texas



DESIGNED BY: G.C.
DRAWN BY: B.H. & C.
PROJECT: 2002 102
DATE: APRIL 2007
SHEET NO. 61 OF SHEETS

This record drawing is a compilation of the sealed engineering drawing for this project, modified by addenda, change orders and information furnished by the contractor. The information shown on the record drawings that was provided by the contractor or others not associated with the design engineer cannot be verified for accuracy or completeness. This original sealed drawing one on file at the offices of Birkhoff, Hendricks & Conway, L.L.P.

BY: J.W.B. DATE: 08/04/2010

DATE: 10/31/06