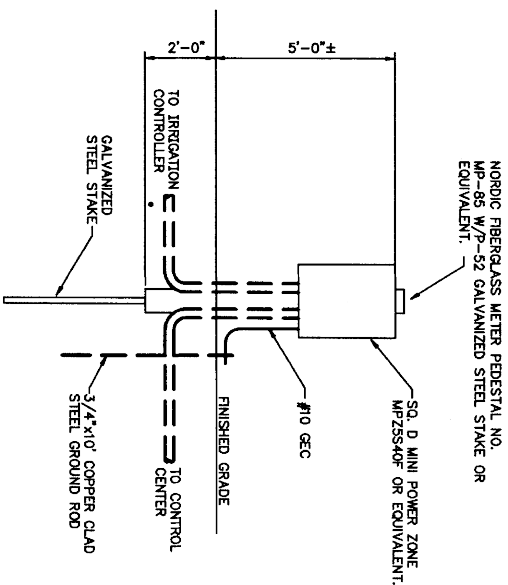
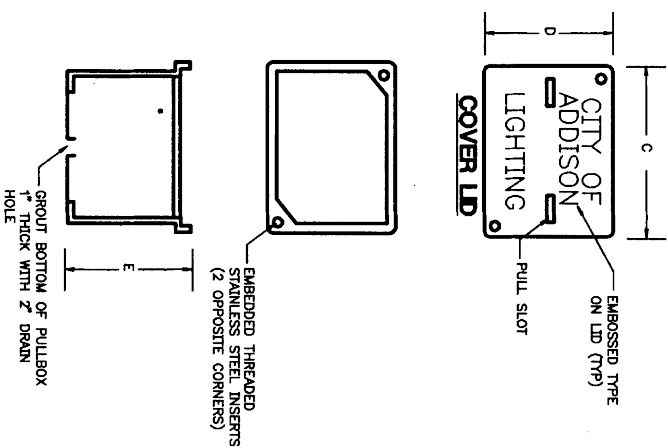


1 DIRECT BURIED CONDUIT
 SCALE: NONE



4 IRRIGATION SERVICE
 SCALE: NONE

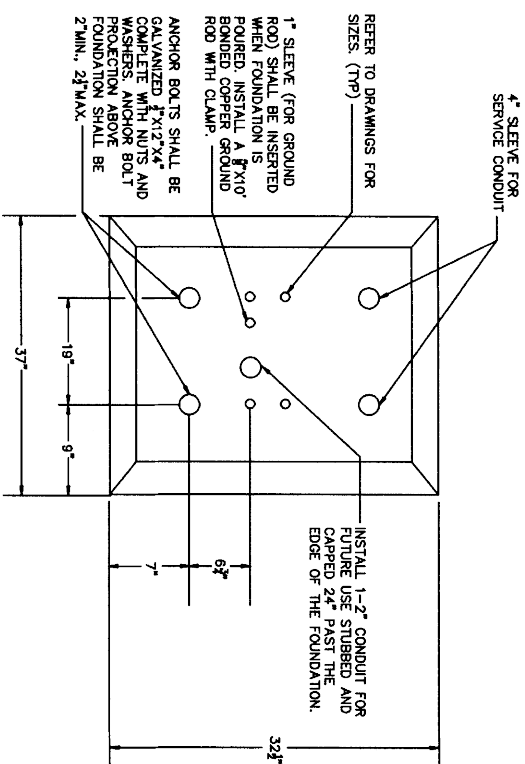


2 PULLBOX DETAIL
 SCALE: NONE

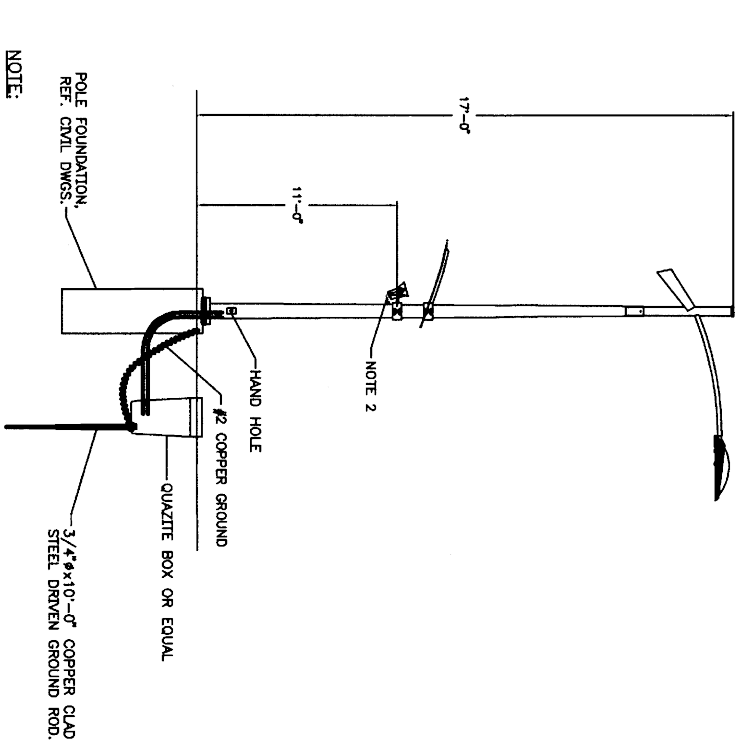
COVERS			
PULLBOX TYPE	DIMENSIONS (INCHES)		
	A	B	Z
A	23"	13"	2"

BOXES			
PULLBOX TYPE	DIMENSIONS (INCHES)		
	C	D	E
A	23"	13"	18"

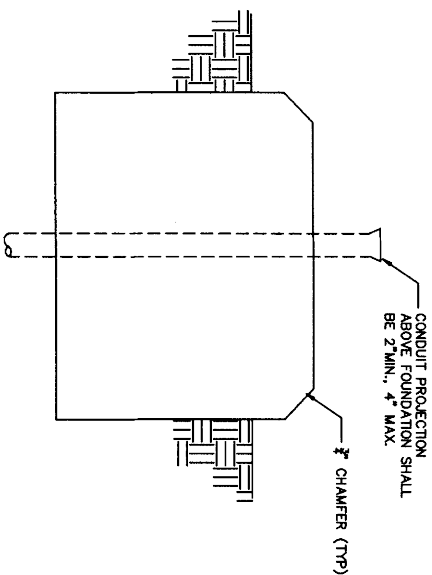
- NOTES:**
- SEE STANDARD SPECIFICATIONS FOR MATERIALS AND CONSTRUCTION.
 - COVER LIDTING SHALL BE 1" LETTERS CAST-IN PLACE WITH THE LID. THE COVERS OR LIDS SHALL BE MARKED CITY OF ADDISON LIGHTING WITH CLEAN, EVEN STROKE LETTERING.
 - ALL DIMENSIONS ARE NOMINAL.



5 CONTROL CENTER FOUNDATION DETAIL
 SCALE: NONE



3 ROADWAY/PEDESTRIAN FIXTURE 'SAA'
 SCALE: NONE



This record drawing is a compilation of the sealed engineering drawing for this project, modified by addenda, change orders and information furnished by the contractor. The information shown on the record drawings that was provided by the contractor or others not associated with the design engineer cannot be verified for accuracy or completeness. This original sealed drawings are on file at the offices of Birkhoff, Hendricks & Carter, L.L.P.
 BY J.W.B. DATE 05/04/2010

GRAPHIC SCALE
 1"=10'-0"



TOWN OF ADDISON, TEXAS

**ADDISON ROAD IMPROVEMENTS
 BELT LINE ROAD TO APAPHO ROAD PHASE I
 ADDISON ROAD LANDSCAPE/LIGHTING**

BIRKHOFF, HENDRICKS & CONWAY L.L.P.
 CONSULTING ENGINEERS
 Dallas, Texas

DESIGNED BY: JAC
 PROJECT: 2002102
 DRAWN BY: JAC DATE: OCTOBER 24, 2007 SHEET NO. E-5 (66)
 OF 66 SHEETS

REVISION
 ELECTRICAL VOLTAGE CHANGES - OCTOBER 24, 2007

REVISION
 ELECTRICAL VOLTAGE CHANGES - OCTOBER 24, 2007

REVISION
 ELECTRICAL VOLTAGE CHANGES - OCTOBER 24, 2007

REVISION
 ELECTRICAL VOLTAGE CHANGES - OCTOBER 24, 2007

REVISION
 ELECTRICAL VOLTAGE CHANGES - OCTOBER 24, 2007

REVISION
 ELECTRICAL VOLTAGE CHANGES - OCTOBER 24, 2007