

ROADWAY MARKERS SPECIFICATIONS

COLOR OF MARKERS :

- A : YELLOW BODY - AMBER REFLECTOR
- C : WHITE BODY - CRYSTAL REFLECTOR
- R : RED BODY - RED REFLECTOR

REFLECTIVE FACES :

- I : ONE FACE REFLECTORIZED
- II : BOTH FACES REFLECTORIZED

SIZES AND KINDS OF MARKERS :

- 4 : 4 INCH LANE MARKER
- 6 : 6 INCH CHANNEL MARKER OR JIGGLE BAR
- 8 : 8 INCH CHANNEL MARKER

CHANNEL MARKERS :

- 6 or 8 INCHES (ROUND)

JIGGLE BARS :

- 6 INCHES (SQUARE)

EXAMPLES OF ROADWAY MARKERS :

- TYPE II-CR-4 : 4 INCH REFLECTORIZED LANE MARKER, ONE FACE REFLECTS CRYSTAL, ONE FACE REFLECTS RED LIGHT.
- TYPE A-4 : 4 INCH NON-REFLECTIVE YELLOW LANE MARKER
- TYPE I-A-6 : 6 INCH REFLECTORIZED CHANNEL MARKER, ONLY ONE FACE REFLECTS AMBER LIGHT

EPOXY ADHESIVE

TYPE II and II-M :

MEDIUM SETTING MARKER ADHESIVE

TYPE III and III-M :

STANDARD SETTING MARKER ADHESIVE

PAVEMENT TEMP., °F	APPROXIMATE SET TIME, HOURS	
	TYPE II & II-M	TYPE III & III-M
115	0.5	1
95	1	2
77	2	4
60	4	8
50	-	-

NOTE: ALL EPOXY SHALL BE MACHINE MIXED UNLESS PRIOR WRITTEN APPROVAL IS OBTAINED FROM CITY ENGINEER ALLOWING HAND MIXING.

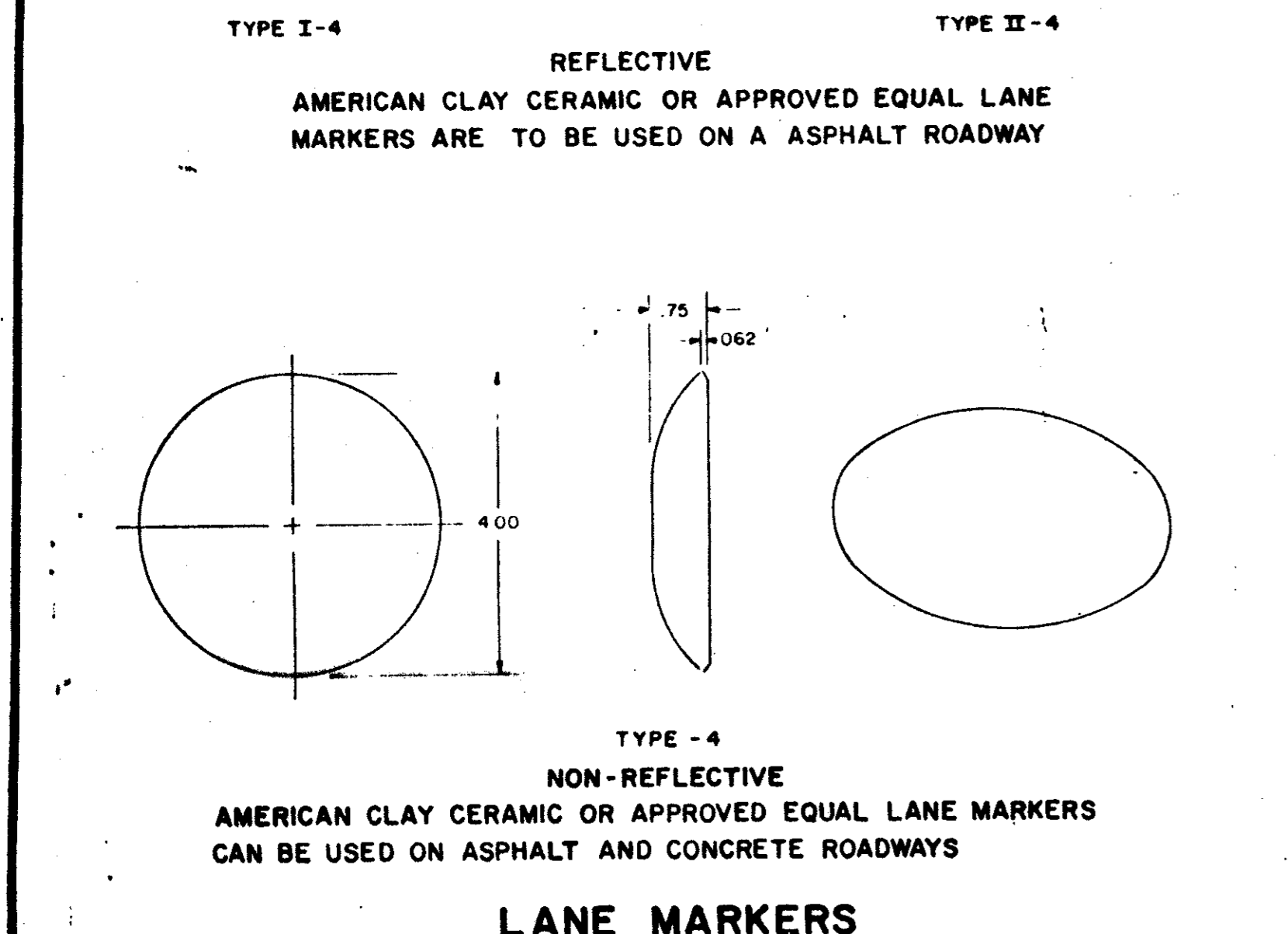
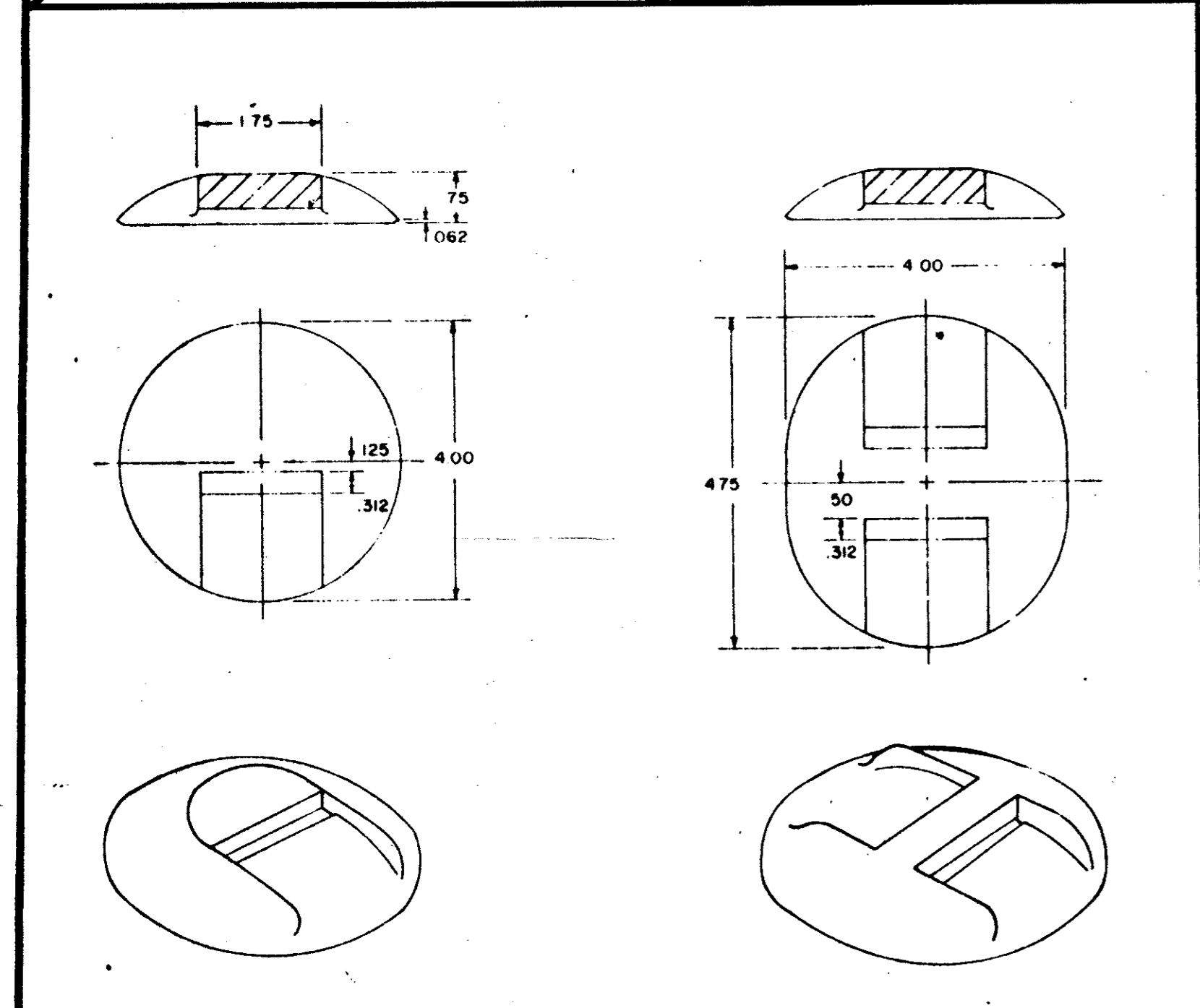
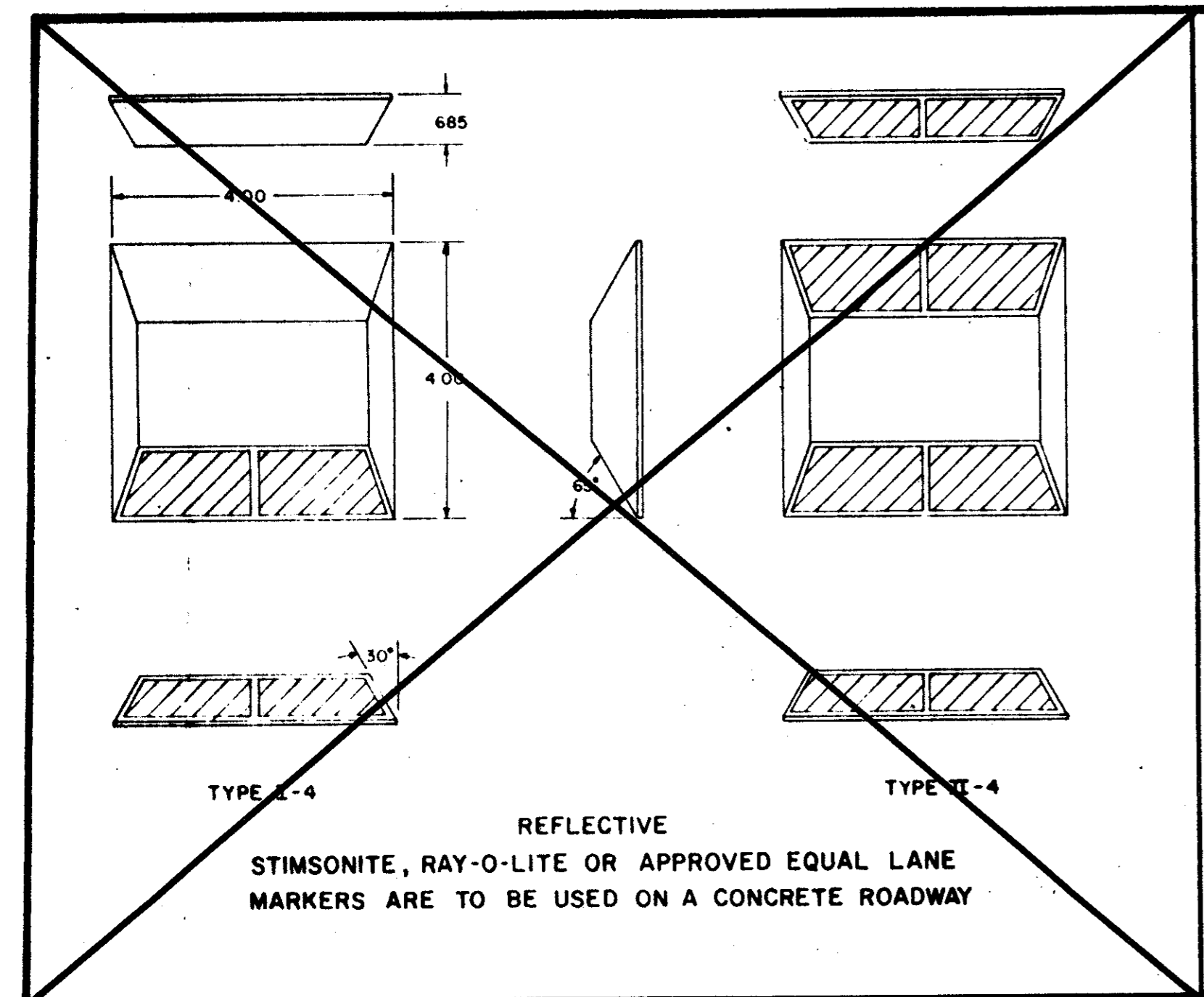
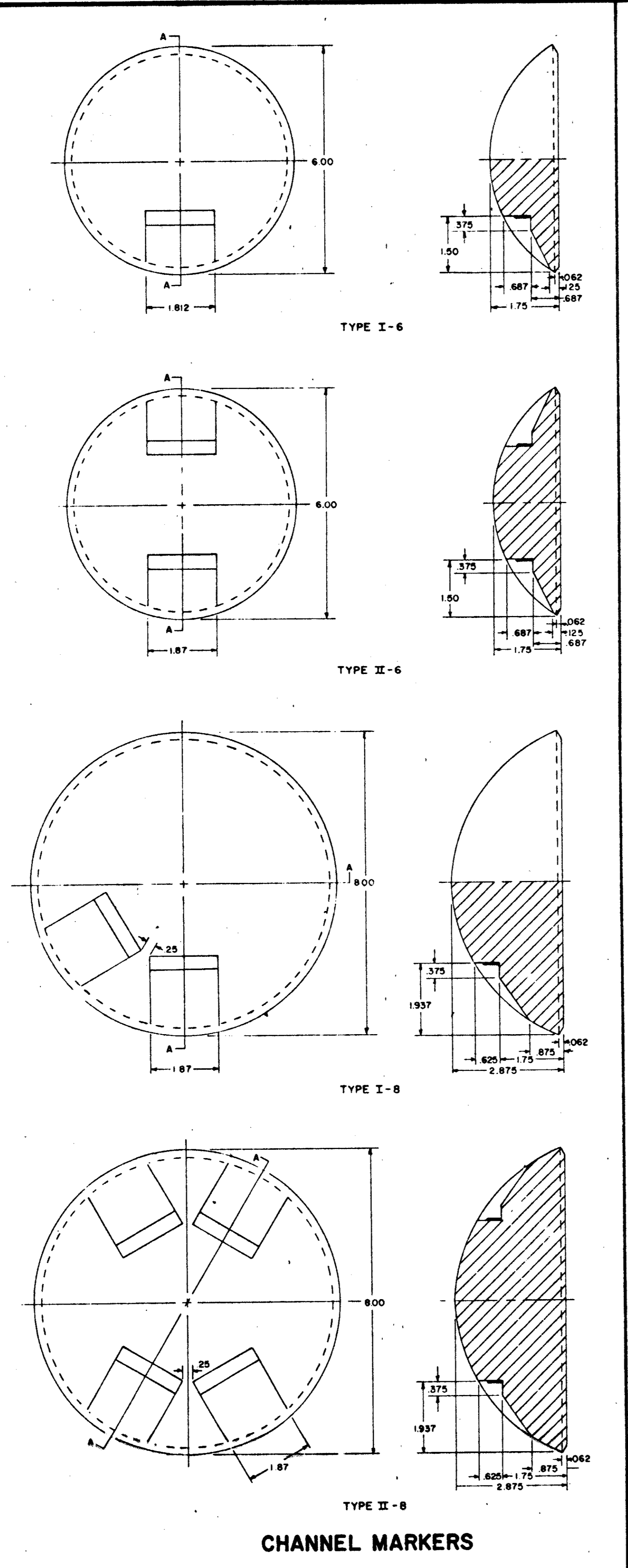
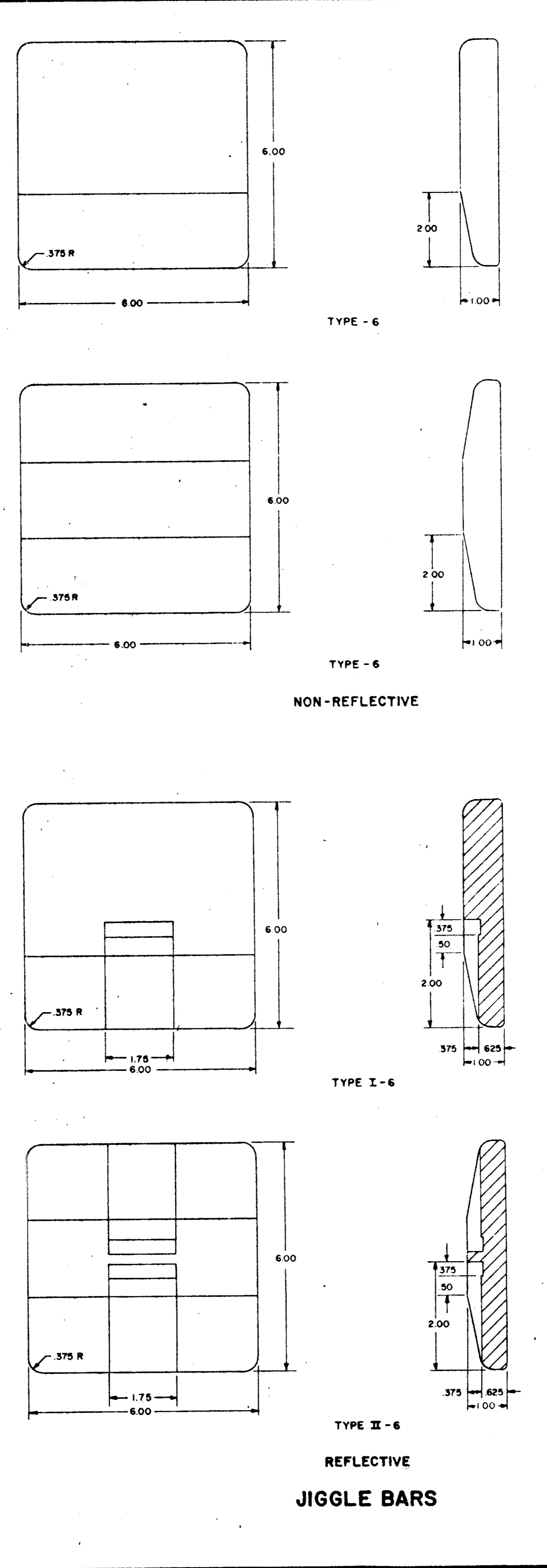


**CITY OF ADDISON, TEXAS
ADDISON ROAD OVERLAY**

**PAVEMENT MARKING
DETAILS**

Rady & Associates, Inc.
Engineers • Architects • Planners
910 Collier Street Fort Worth, Texas 76102 817/335-6511

DESIGN BY: RJM	REVISIONS DATE: BY:	DATE: MAY 1991
DRAWN BY:		JOB NO: 91009
CHECKED BY: WBR/RJM		SHEET NO. 3 OF 36



LANE MARKERS

CHANNEL MARKERS

REFLECTIVE JIGGLE BARS