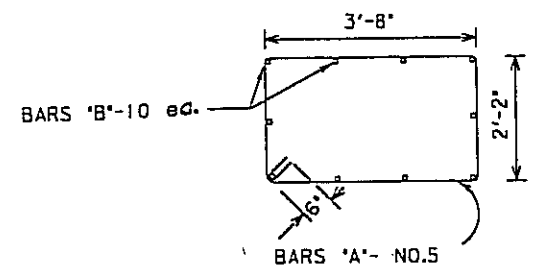
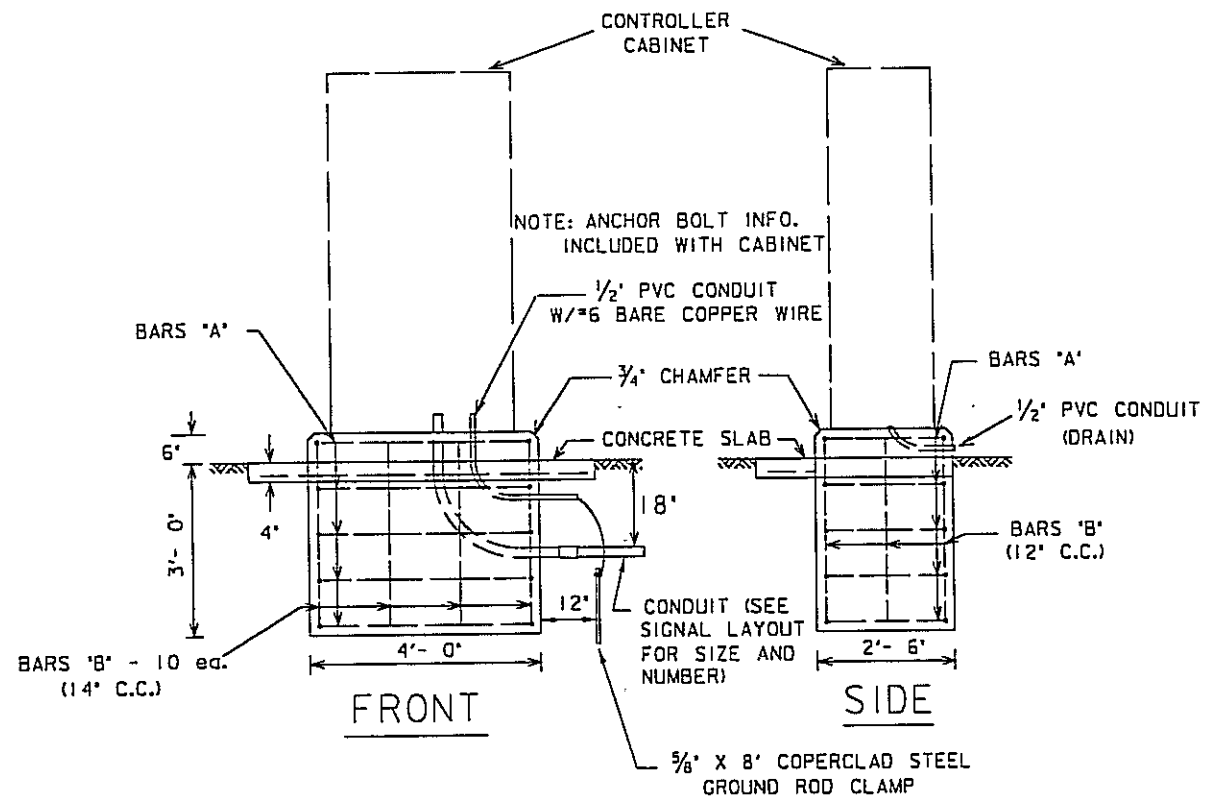
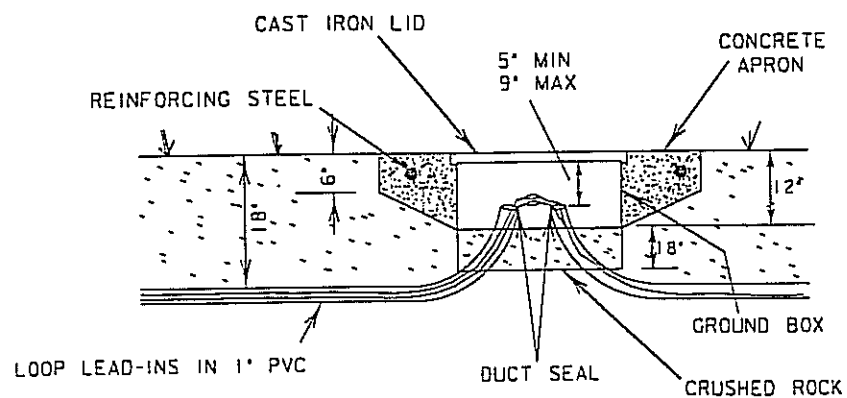
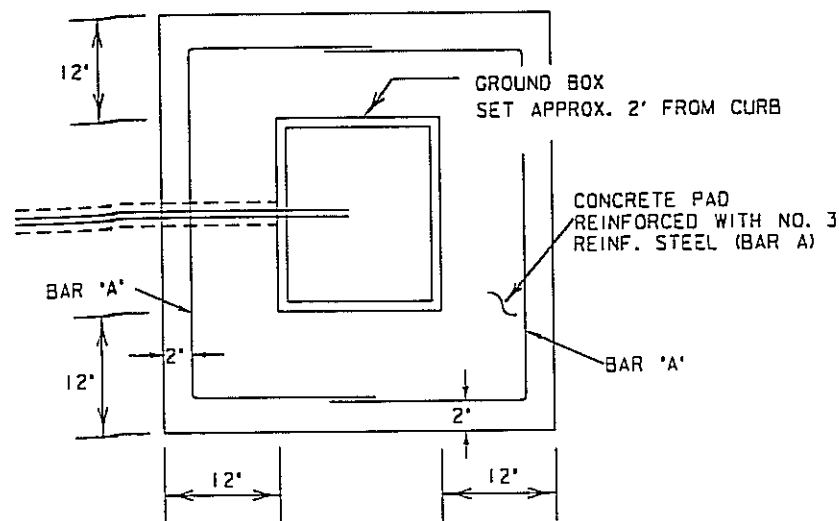


BAR	NO. BARS	SIZE	LENGTH	SPACING
A	6	5	12'-8"	9.5' C.C.
B	10	5	3'-2"	VAR.
C	2	3	4'-8"	16.5' C.C.
D	2	3	5'-8"	18' C.C.
E	3	3	2'-8"	16.5' C.C.
F	4	3	1'-2"	18' C.C.

PROVIDE 2' MIN. COVER FOR TOP AND SIDES



CONTROLLER FOUNDATION DETAILS



ELEVATION

GROUND BOX INSTALLATION DETAILS

BUILT AS PER SPECIFICATIONS AND PLANS BY DURABLE SPECIALTIES INC.
PROJECT COORDINATOR *John Dur*



The seal appearing on this document was authorized by Alan P. McNeil, P.E. 69951, on July 8, 1998. Alteration of a sealed document without proper notification to the responsible Engineer is an offense under the Texas Engineering Practice Act.

Alan P. McNeil

DATE	REVISION	BY
TOWN OF ADDISON DALLAS COUNTY, TEXAS		
CONTROLLER FOUNDATION AND GROUND BOX INSTALLATION DETAILS		
PROJECT NO. 641057		
PARSONS TRANSPORTATION GROUP ENGINEERS - DALLAS, TEXAS		
DESIGNED	DRAWN	CHECKED
APPROVED	APPH	APPH
FILE: aigden53.dwg		NO. 6 - 8