

MEDIAN DIMENSION CHART

B	C	D	E	F	G	H	I	J	K	L	M	N
12'	4.00'S	3.80'S	3.20'S	2.19'S	0.78'S	1.00'N	2.78'N	4.19'N	5.20'N	5.80'N	22.56'	1.00'
13'	3.50'S	3.30'S	2.70'S	1.69'S	0.28'S	1.50'N	3.28'N	4.69'N	5.70'N	6.30'N	23.56'	1.00'
14'	3.00'S	2.80'S	2.20'S	1.19'S	0.22'N	2.00'N	3.78'N	5.19'N	6.20'N	6.80'N	22.68'	2.50'
15'	2.50'S	2.30'S	1.70'S	0.69'S	0.72'N	2.50'N	4.28'N	5.69'N	6.70'N	7.30'N	23.71'	2.50'
16'	2.00'S	1.80'S	1.20'S	0.19'S	1.22'N	3.00'N	4.78'N	6.19'N	7.20'N	7.80'N	23.46'	3.50'
17'	1.50'S	1.30'S	0.70'S	0.31'N	1.72'N	3.50'N	5.28'N	6.69'N	7.70'N	8.30'N	24.48'	3.50'
18'	1.00'S	0.80'S	0.20'S	0.81'N	2.22'N	4.00'N	5.78'N	7.19'N	8.20'N	8.80'N	25.44'	3.50'
19'	0.50'S	0.30'S	0.30'N	1.31'N	2.72'N	4.50'N	6.28'N	7.69'N	8.70'N	9.30'N	26.34'	3.50'
20'	0.00'	0.20'N	0.80'N	1.81'N	3.22'N	5.00'N	6.78'N	8.19'N	9.20'N	9.80'N	26.72'	4.00'
21'	0.50'N	0.70'N	1.30'N	2.31'N	3.72'N	5.50'N	7.28'N	8.69'N	9.70'N	10.30'N	27.57'	4.00'
22'	1.00'N	1.20'N	1.80'N	2.81'N	4.22'N	6.00'N	7.78'N	9.19'N	10.20'N	10.80'N	28.39'	4.00'
23'	1.50'N	1.70'N	2.30'N	3.31'N	4.72'N	6.50'N	8.28'N	9.69'N	10.70'N	11.30'N	29.17'	4.00'
24'	2.00'N	2.30'N	2.80'N	3.81'N	5.22'N	7.00'N	8.78'N	10.19'N	11.20'N	11.80'N	29.92'	4.00'

N = NORTH OF CENTERLINE
S = SOUTH OF CENTERLINE

CURVE DATA C3 & C4 FOR 7' A=14'

A	Δ	R	T	L	M	N
7'	18°22'52"	50'	8.09'	16.04'	16.45'	1.00'
8'	20°09'11"		8.89'	17.59'	17.88'	1.00'
9'	21°47'12"		9.62'	19.01'	19.19'	1.00'
10'	23°18'41"		10.31'	20.34'	20.39'	1.00'
11'	24°44'50"		10.97'	21.60'	21.51'	1.00'
12'	26°06'32"		11.59'	22.78'	22.56'	1.00'
13'	27°24'27"		12.19'	23.92'	23.56'	1.00'
14'	28°08'28"		12.77'	25.00'	24.11'	2.50'

CURVE DATA C1 & C2
Δ = 11°28'40"
R = 2.50'
T = 25.13'
L = 50.08'

CURVE DATA C3 & C4 FOR 12' B=24'

B	Δ	R	T	L
12'	26°06'32"	50.00'	11.59'	22.78'
13'	27°24'27"		12.19'	23.92'
14'	28°08'28"		12.77'	25.00'
15'	28°31'32"		13.33'	26.04'
16'	28°48'51"		13.87'	27.04'
17'	28°58'58"		14.40'	28.00'
18'	29°02'43"		14.91'	28.93'
19'	29°00'30"		15.41'	29.82'
20'	28°52'46"		15.89'	30.67'
21'	28°39'46"		16.35'	31.49'
22'	28°21'26"		16.79'	32.27'
23'	27°9'48"		17.21'	33.02'
24'	26°18'05"		17.61'	33.74'

CURVE DATA C5 FOR 12' B=24'

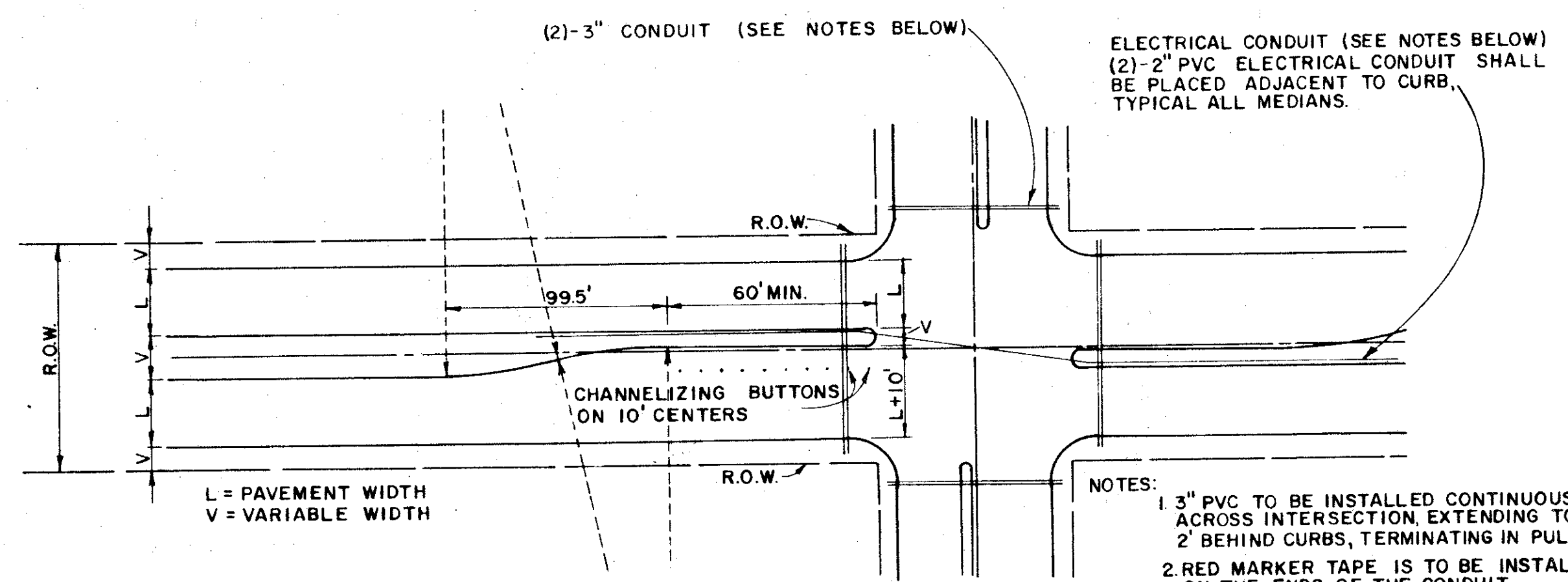
B	Δ	R	T	L
12'	127°47'32"	1.00'	2.04'	2.23'
13'	125°47'46"	1.00'	1.93'	2.19'
14'	123°43'08"	2.50'	5.33'	5.66'
15'	126°57'31"	2.50'	5.01'	5.54'
16'	129°09'33"	3.50'	7.36'	7.89'
17'	126°21'44"	3.50'	6.92'	7.72'
18'	123°41'38"	3.50'	6.54'	7.56'
19'	120°52'03"	3.50'	6.17'	7.38'
20'	120°48'56"	4.00'	7.04'	8.43'
21'	118°21'08"	4.00'	6.70'	8.26'
22'	115°57'07"	4.00'	6.40'	8.10'
23'	113°38'22"	4.00'	6.12'	7.93'
24'	111°23'48"	4.00'	5.86'	7.78'

CURVE DATA C5 FOR 7' A=14'

A	Δ	R	T	L
7'	143°14'15"	1.00'	3.01'	2.50'
8'	139°41'38"	1.00'	2.72'	2.44'
9'	136°25'35"	1.00'	2.50'	2.38'
10'	133°22'38"	1.00'	2.32'	2.33'
11'	130°30'20"	1.00'	2.17'	2.28'
12'	127°47'32"	1.00'	2.04'	2.23'
13'	125°47'46"	1.00'	1.93'	2.19'
14'	123°43'08"	2.50'	5.33'	5.66'

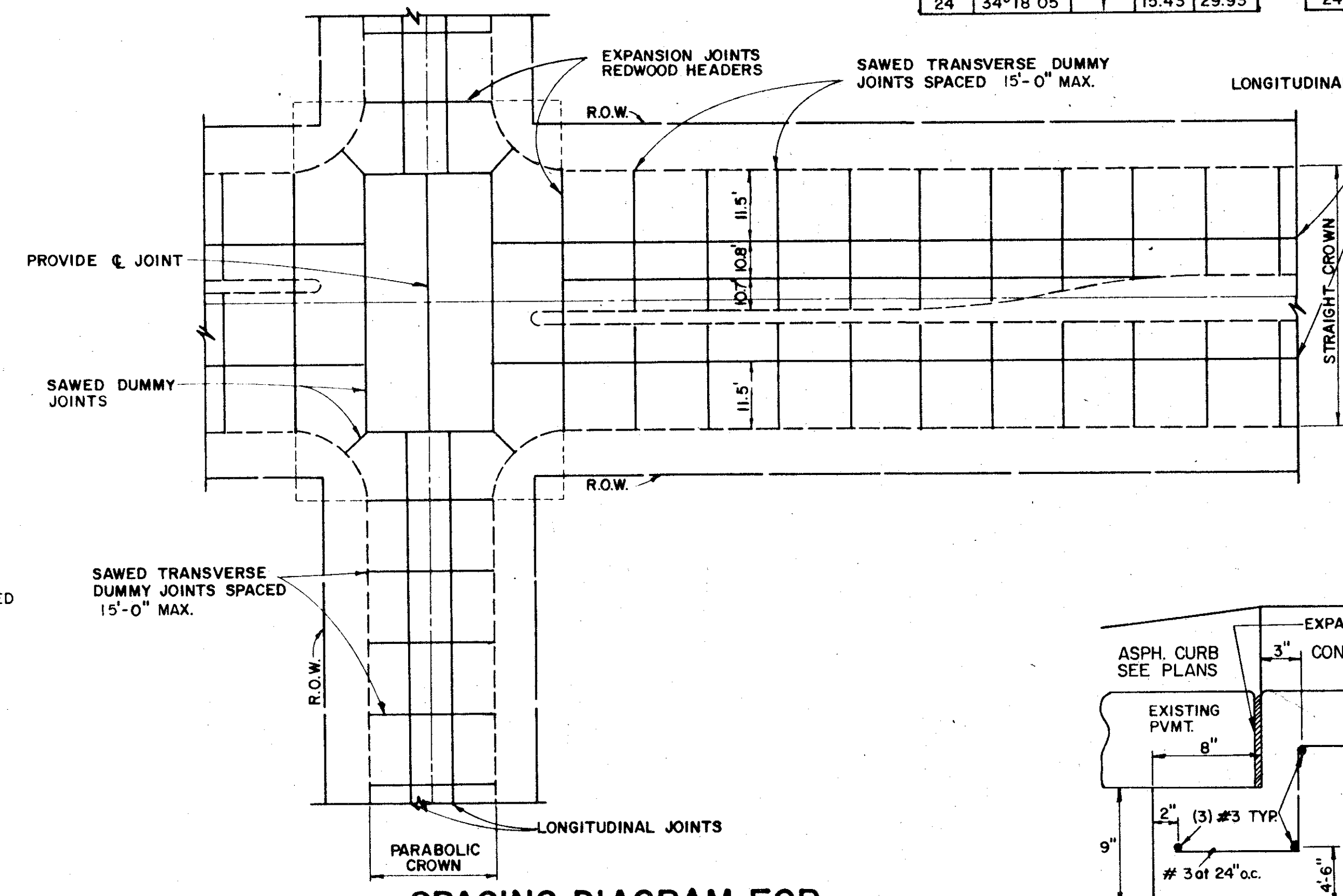
LEFT TURN LANE
(AS APPLICABLE)

NOTES: 1) FOR 2' A=7' USE TYPE II NOSE
2) FOR 7' A=14' USE TYPE I NOSE
3) FOR 12' B=24' USE TYPE I NOSE

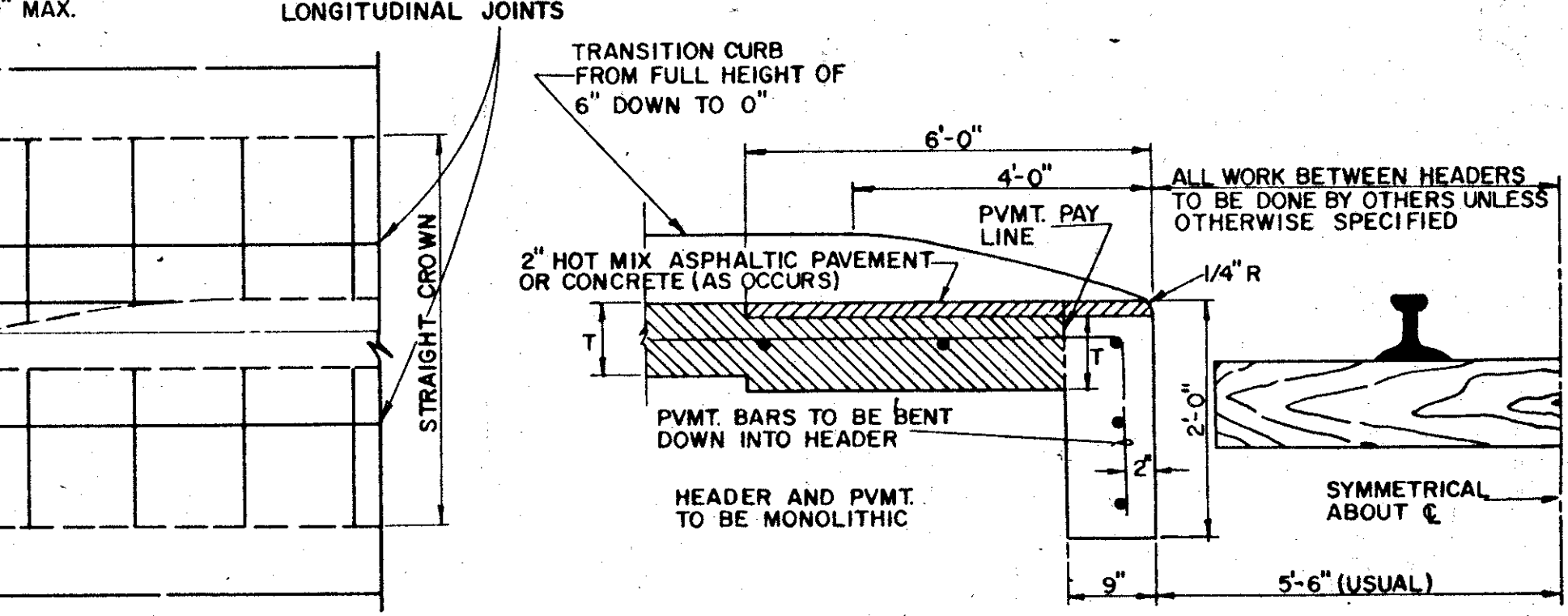


CONDUIT
FOR EXACT LOCATIONS, THIS PROJECT-SEE PLANS

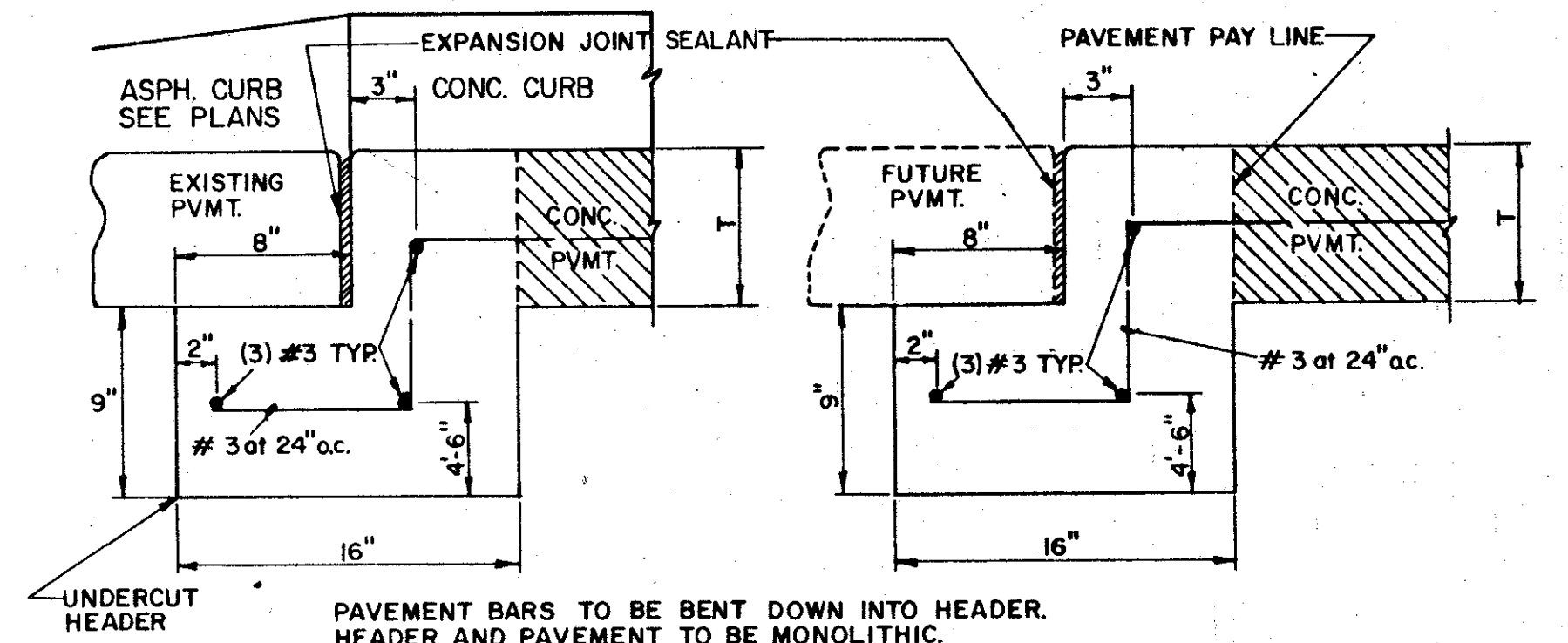
- NOTES:
- 3" PVC TO BE INSTALLED CONTINUOUS ACROSS INTERSECTION, EXTENDING TO 2' BEHIND CURBS, TERMINATING IN PULL BOX.
 - RED MARKER TAPE IS TO BE INSTALLED ON THE ENDS OF THE CONDUIT.
 - THE EXACT LOCATIONS WHERE THE CONDUIT CROSSES UNDER THE PAVING ARE TO BE CHISELED WITH AN 'X' AND PAINTED WITH RED PAINT, ON THE CURB OR PAVING.
 - A NYLON CORD SHALL BE PLACED IN ALL CONDUIT UNDER PAVEMENT. THIS CORD SHALL EXTEND A MINIMUM OF 1' FROM THE END OF THE CONDUIT.



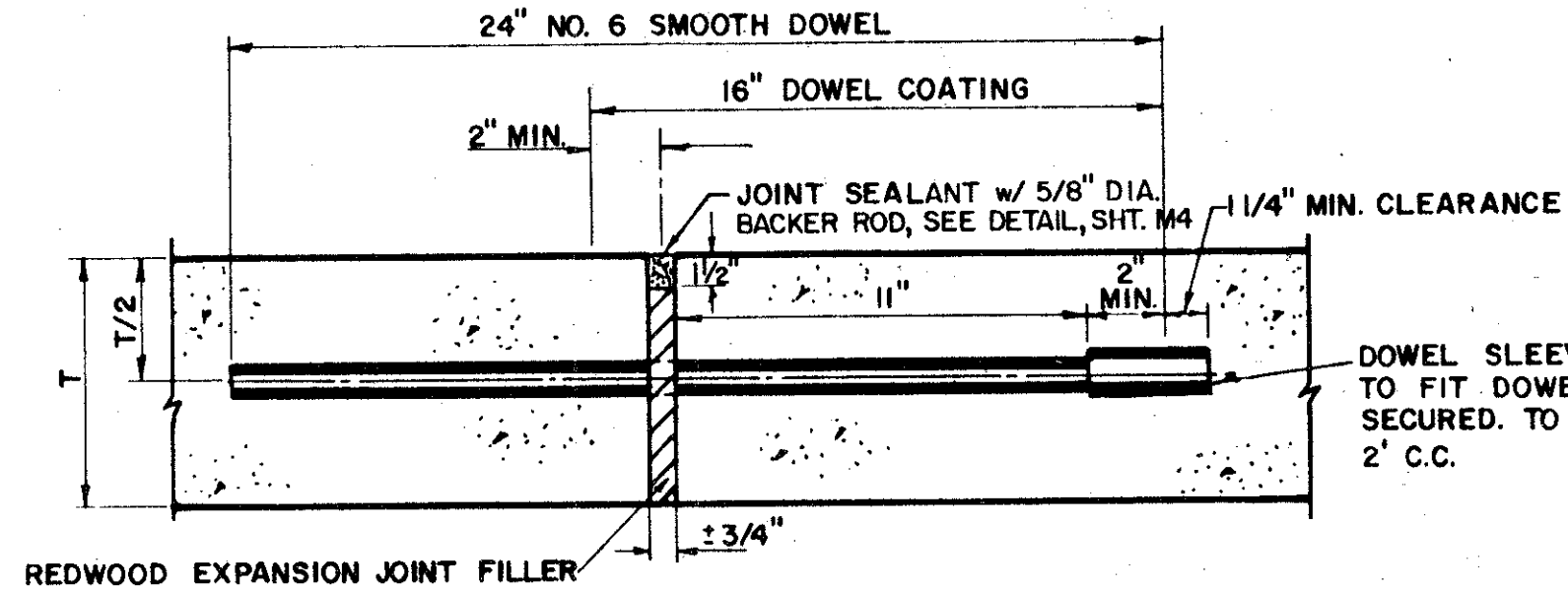
SPACING DIAGRAM FOR TRANSVERSE JOINTS



RAIL HEADER

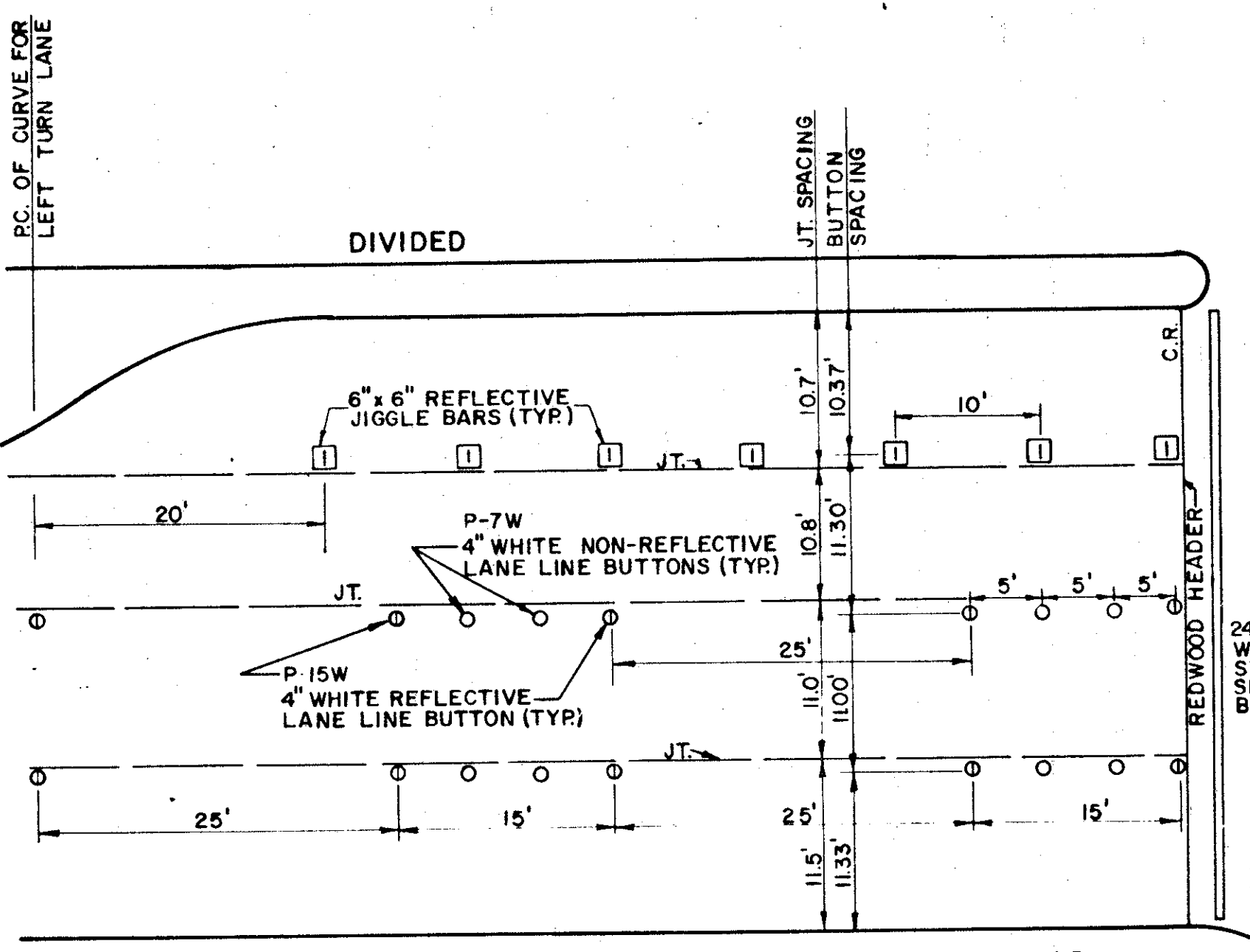


STREET HEADER



TRANSVERSE EXPANSION JOINT
(SPACED 600 FT. MAXIMUM, LOCATE AT INTERSECTIONS)

NOTE: DOWELS AND REINFORCING BARS SHALL BE SUPPORTED BY AN APPROVED DEVICE.



BUTTON DETAILS

STANDARD BUTTON LAYOUT
TWO WAY UNDIVIDED ROADWAY w/ DOUBLE YELLOW CENTER LINE

TOWN OF ADDISON, TEXAS
DEPARTMENT OF ENGINEERING

STANDARD CONSTRUCTION DETAILS PAVING

TURN LANES & JOINTS

Designed -	Drawn -	Date - AUGUST, 1991	Job No. - 90025-5
Approved -	Checked -	Scale -	Sheet D-10 of