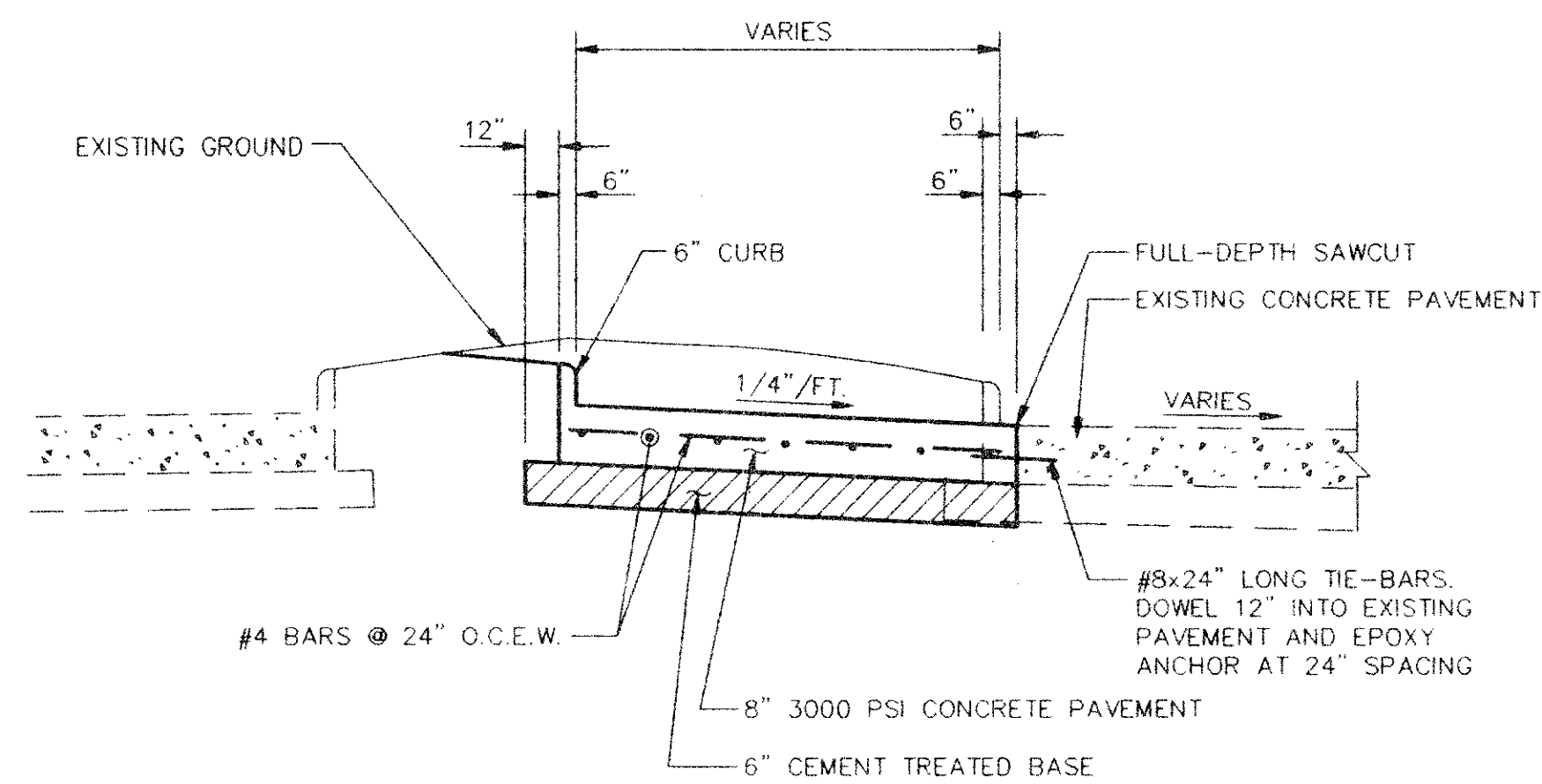


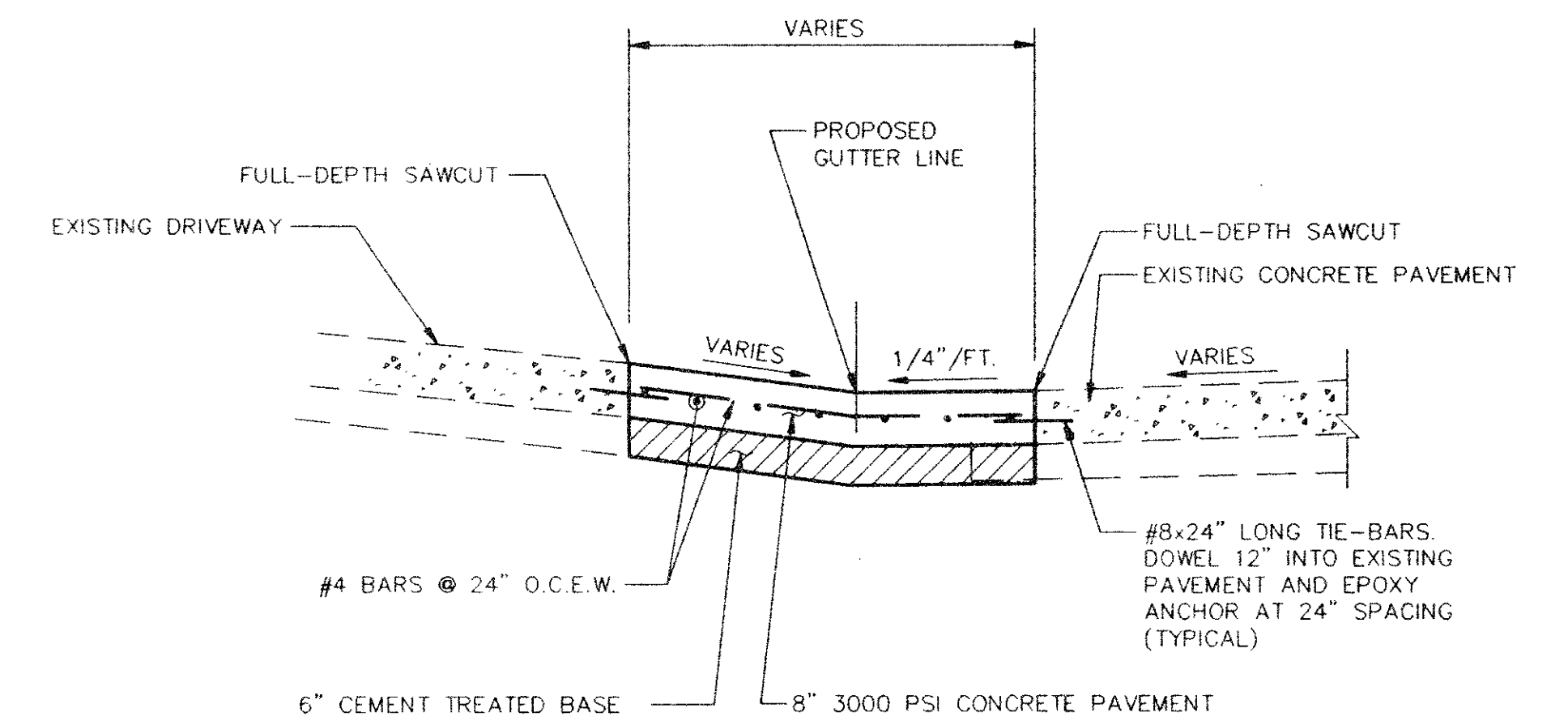
PAVEMENT WIDENING SECTION  
A-A

NOT TO SCALE



PAVEMENT WIDENING SECTION  
B-B

NOT TO SCALE



PAVEMENT WIDENING SECTION  
C-C

NOT TO SCALE

NO.	REVISION	BY	DATE

DESIGNED BY: J. WALDBAUER  
 DRAWN BY: EH&A  
 CHECKED BY: B. GRANTHAM  
 SCALE: AS SHOWN  
 DATE: DECEMBER, 1993  
 FILE: \ADDISON PROJECT\DETAILS

**EH&A** Espey, Huston & Associates, Inc.  
 Engineering & Environmental Consultants  
 13800 Montfort Drive, Suite 230  
 Dallas, Texas 75240 (214) 387-0771

CONSTRUCTION DETAILS

INTERSECTION IMPROVEMENTS  
 BELT LINE ROAD AT MARSH LANE  
 for  
 THE TOWN OF ADDISON

Approved by: [Signature]  
 Date: [Date]  
 Title: [Title]  
 SHEETS 9  
 JOB NO. 13921