

- GENERAL NOTES**
- A. GENERAL PAVEMENT THICKNESS FOR STREETS SHALL BE AS SPECIFIED BELOW IN SPECIAL NOTES.
 - B. STANDARD SPECIFICATIONS REINFORCED CONCRETE PAVEMENTS
 1. ALL CURBS SHALL BE PLACED INTEGRAL WITH PAVEMENT
 2. CURBS SHALL MEET THE SAME COMPRESSIVE STRENGTH AS SPECIFIED FOR THE CONCRETE PAVEMENT.
 3. DETAIL AND ARRANGEMENT OF JOINTS, ALL TYPES, SHALL BE AS SHOWN ON THE STANDARD CONSTRUCTION DETAILS, OR AS APPROVED BY ENGINEER.
 4. BAR LAPS SHALL BE 30 DIAMETERS.
 - C. BAR CHAIRS OR AN APPROVED SUPPORTING DEVICE SHALL BE FURNISHED.

STREET TYPE	STREET WIDTH (W)	A	B	R.O.W. WIDTH	P
COLLECTOR	36'	8'	10'	60'	11.5'
COLLECTOR	40'	8' OR 10'	10' OR 12'	60'	9.5'
COLLECTOR	44'	11'	11'	65'	10.0'

* FULL WIDTH PAVEMENT OF 36' WIDTH STREETS IS ALLOWED WHERE APPROVED BY THE ENGINEER.

REINFORCED CONCRETE PAVEMENT

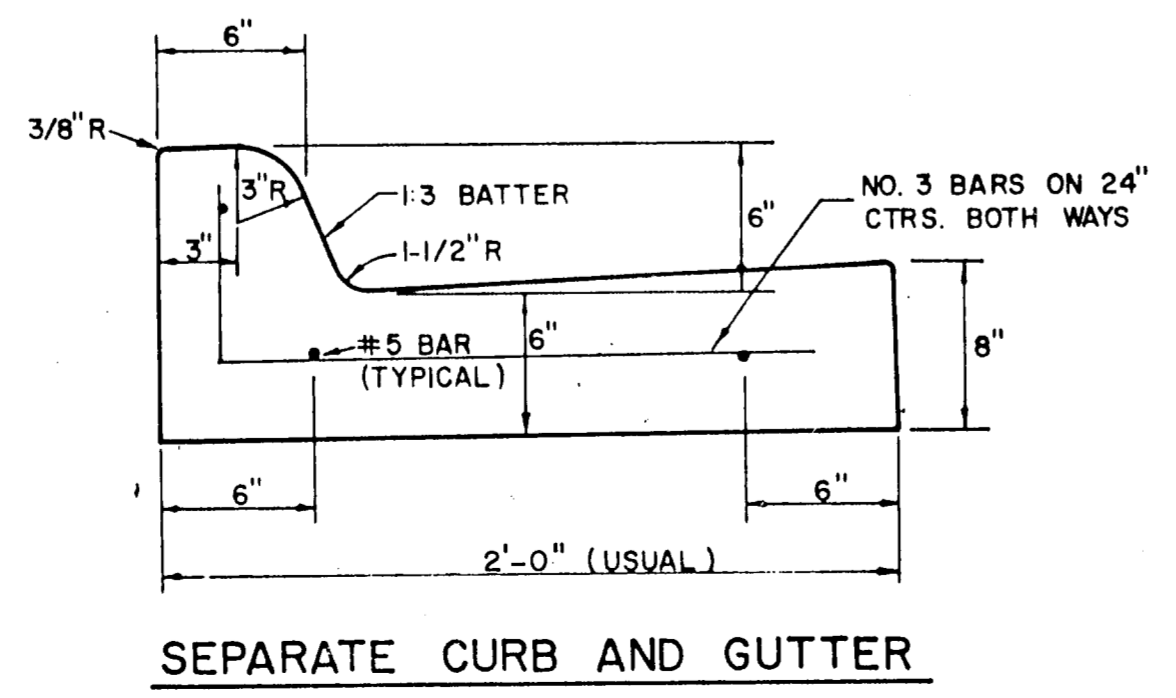
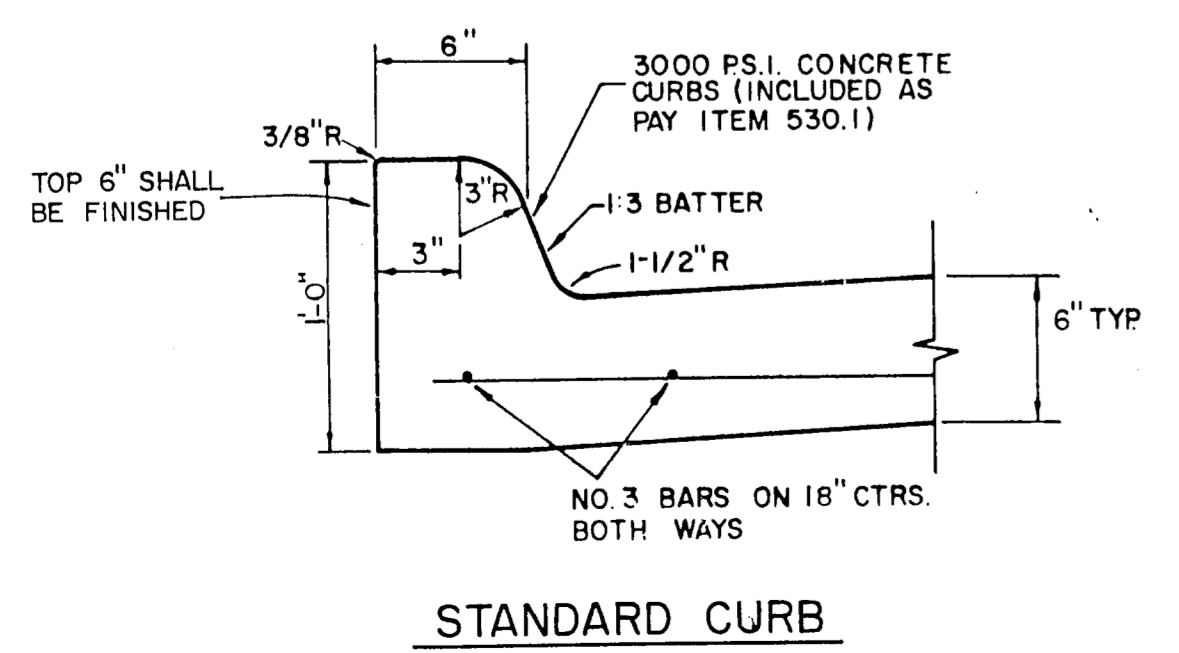
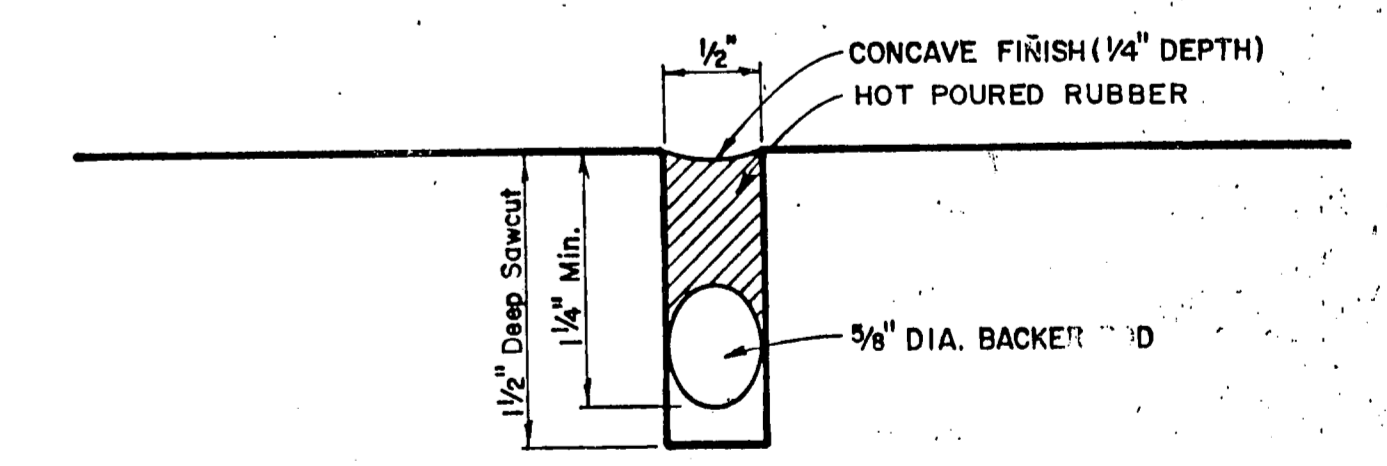
ALL REINFORCING BARS SHALL BE NO. 3 TRANSVERSE BARS TO BE SPACED ON 1'-6" CENTERS; LONGITUDINAL BARS TO BE SPACED ON 1'-6" EXCEPT WHERE NOTED.

UNDIVIDED STREETS—PROVIDE 4" DBL.—REF YELLOW & BUTTON P-117-Y PATTERNS TO BE ESTABLISHED BY ENGINEER. SEE DETAIL SHEET

① SAWED LONGITUDINAL DUMMY JOINT.

② CONSTRUCTION JOINT (FULL WIDTH PAV'T IS ALLOWED WHERE APPROVED BY ENGINEER.

③ FINISH SHALL BE TRANSVERSE WITH TRAFFIC LANES AND SHALL BE STEEL TINED BROOM FINISH.



ROADWAY WIDTH (W)	TOTAL CROWN HEIGHT	3/4 POINT	MID-POINT	1/4 POINT
26'	6"	3-3/8"	1-1/2"	3/8"
36'	6"	3-3/8"	1-1/2"	3/8"
44'	6"	3-3/8"	1-1/2"	3/8"
48'	6"	3-3/8"	1-1/2"	3/8"

TABLE OF CROWN HEIGHTS AND ORDINATES FOR VARIOUS PARABOLIC SECTIONS

TOWN OF ADDISON, TEXAS
DEPARTMENT OF ENGINEERING

STANDARD CONSTRUCTION DETAILS PAVING

STREET CROWNS & JOINTS

Designed -	Drawn -	Date - AUGUST, 1991	Job No. - 90025-5
Approved -	Checked -	Scale -	Sheet D-1 of