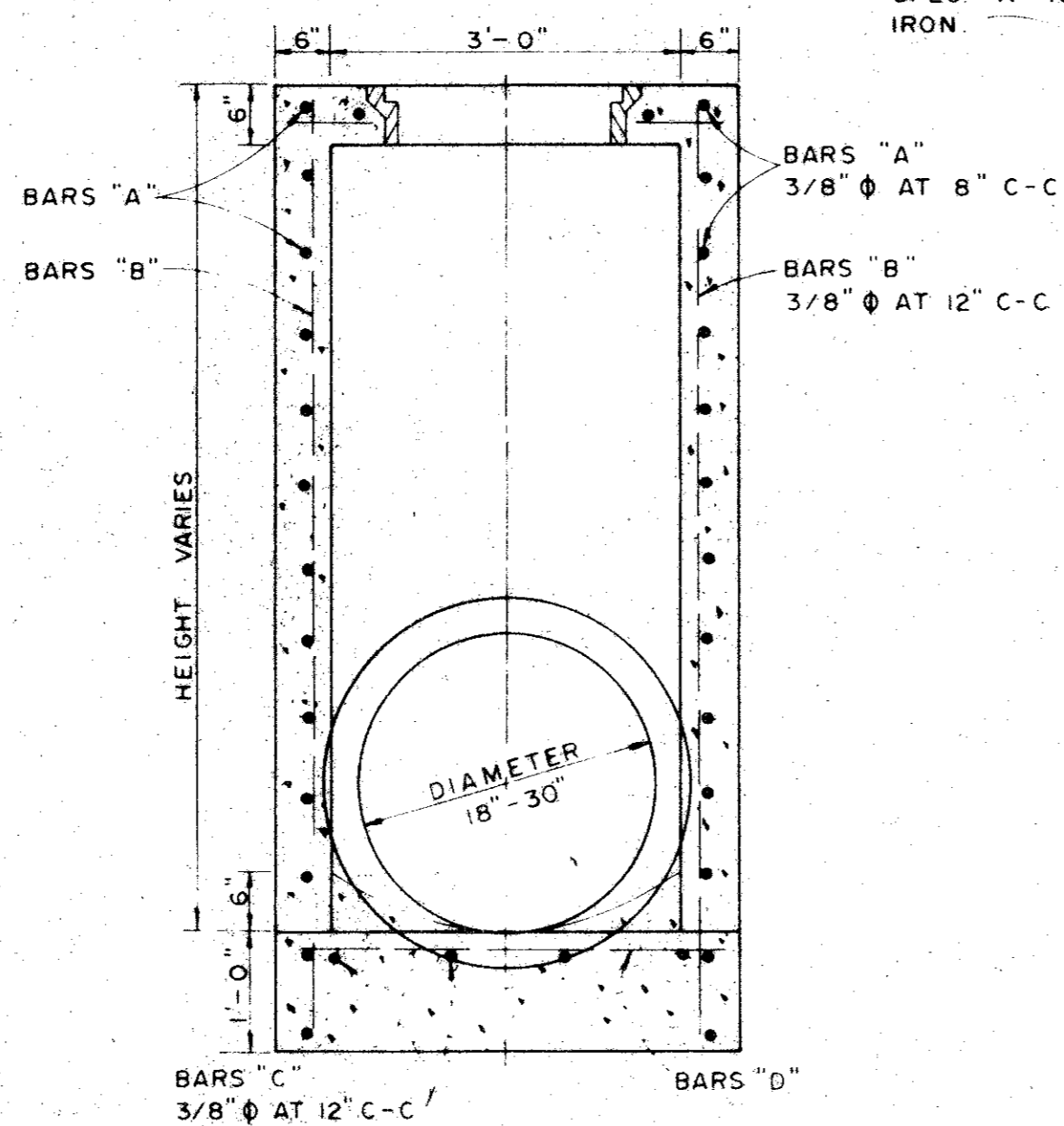


ELEVATION

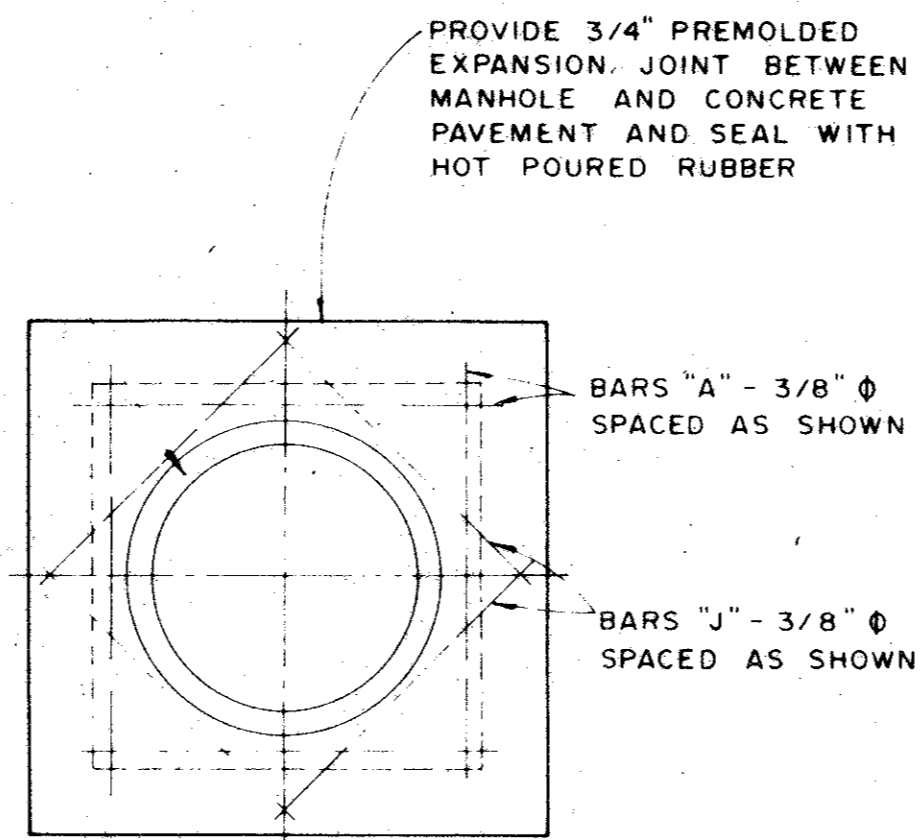
TYPE A STORM SEWER MANHOLE

(FOR PIPE 18" TO 30" IN DIAMETER)



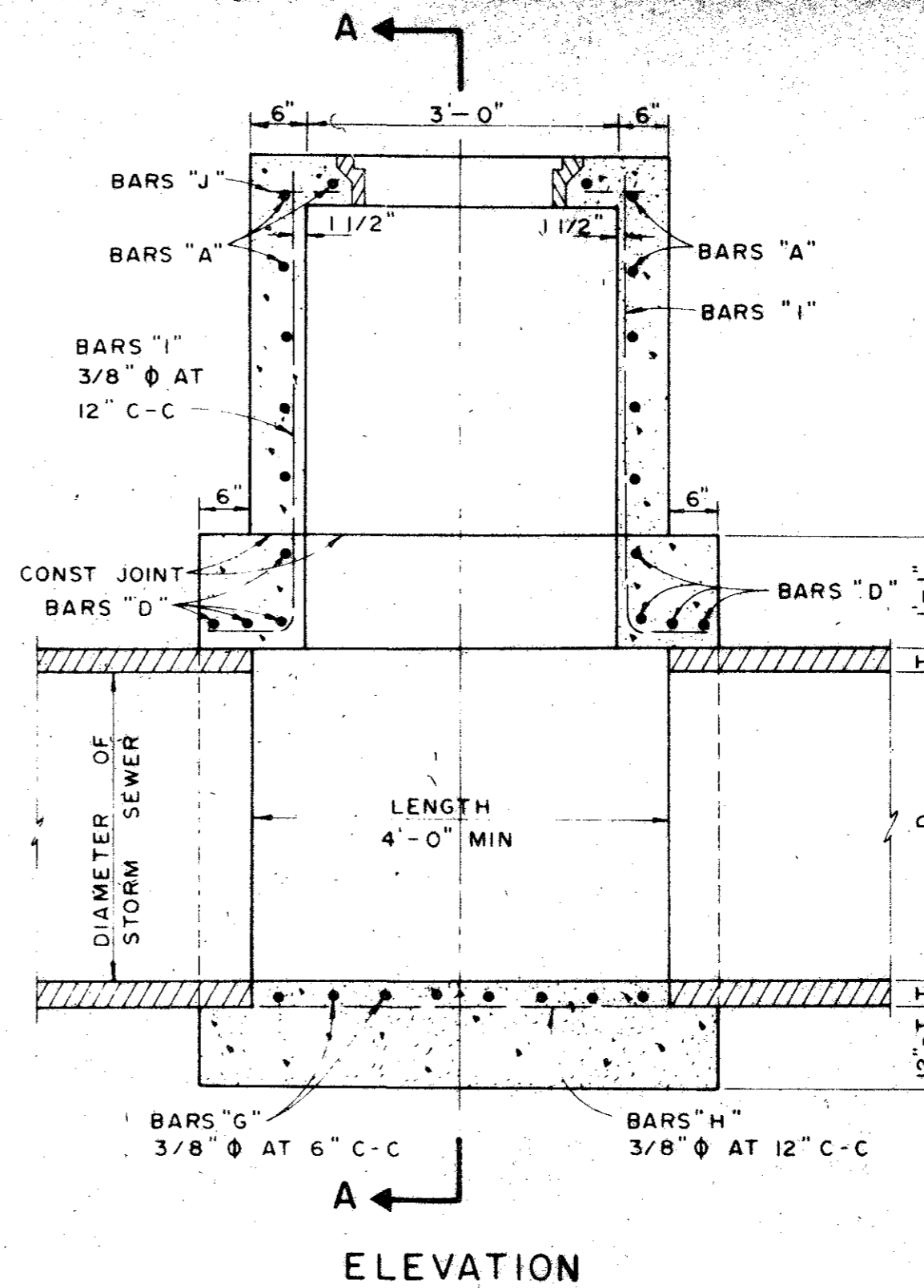
SECTION A-A

NOTE FRAME AND COVER SHALL BE BASS & HAYS PATTERN NO 380-24 OR EQUAL AND SHALL BE OF GRAY CAST IRON CONFORMING TO A.S.T.M SPEC. A-48 FOR CLASS 30 CAST IRON.



TOP PLAN
TYPE A & TYPE B
STORM SEWER MANHOLE

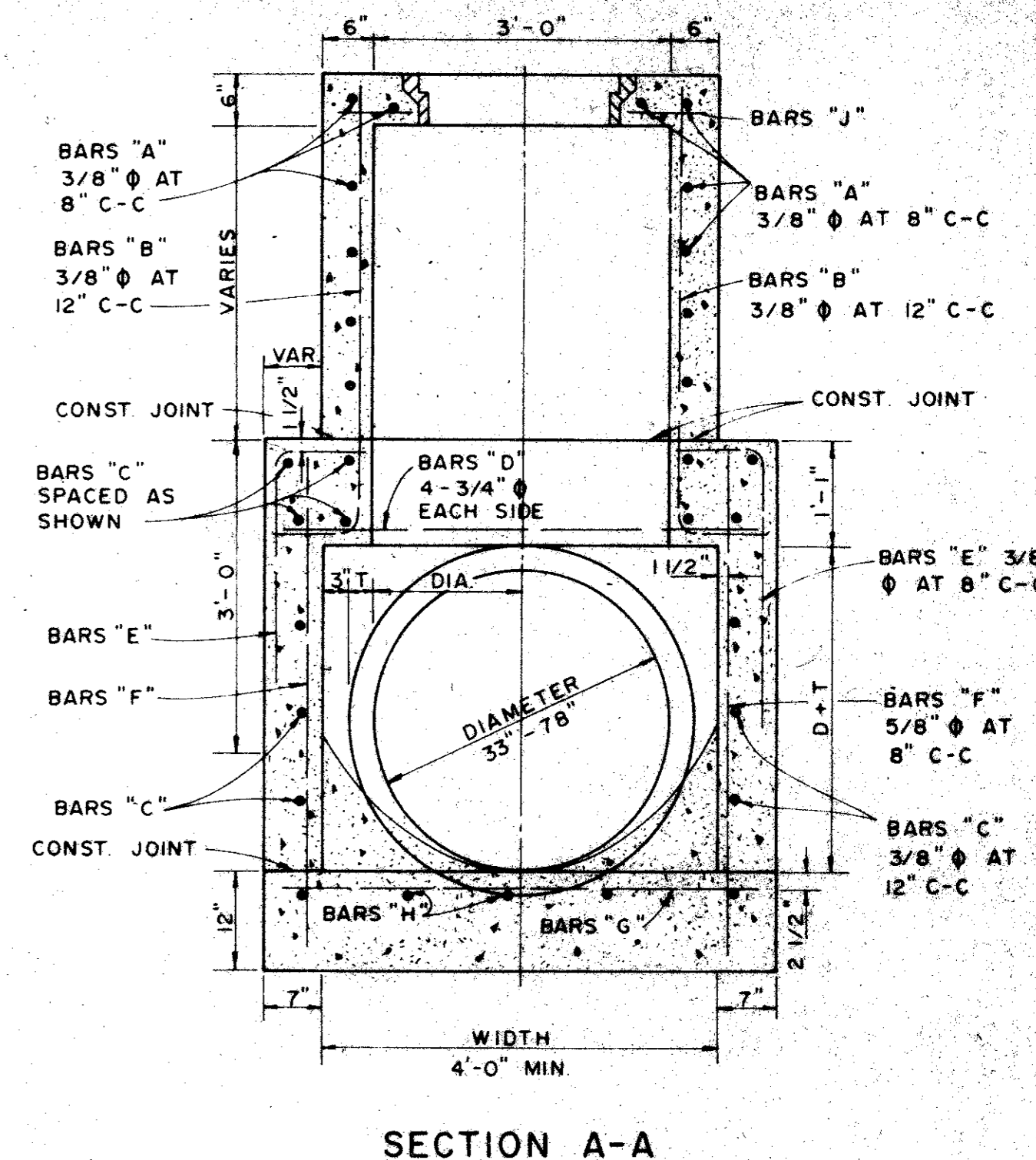
NOTE MAXIMUM PIPE SIZE TO BE USED 78"



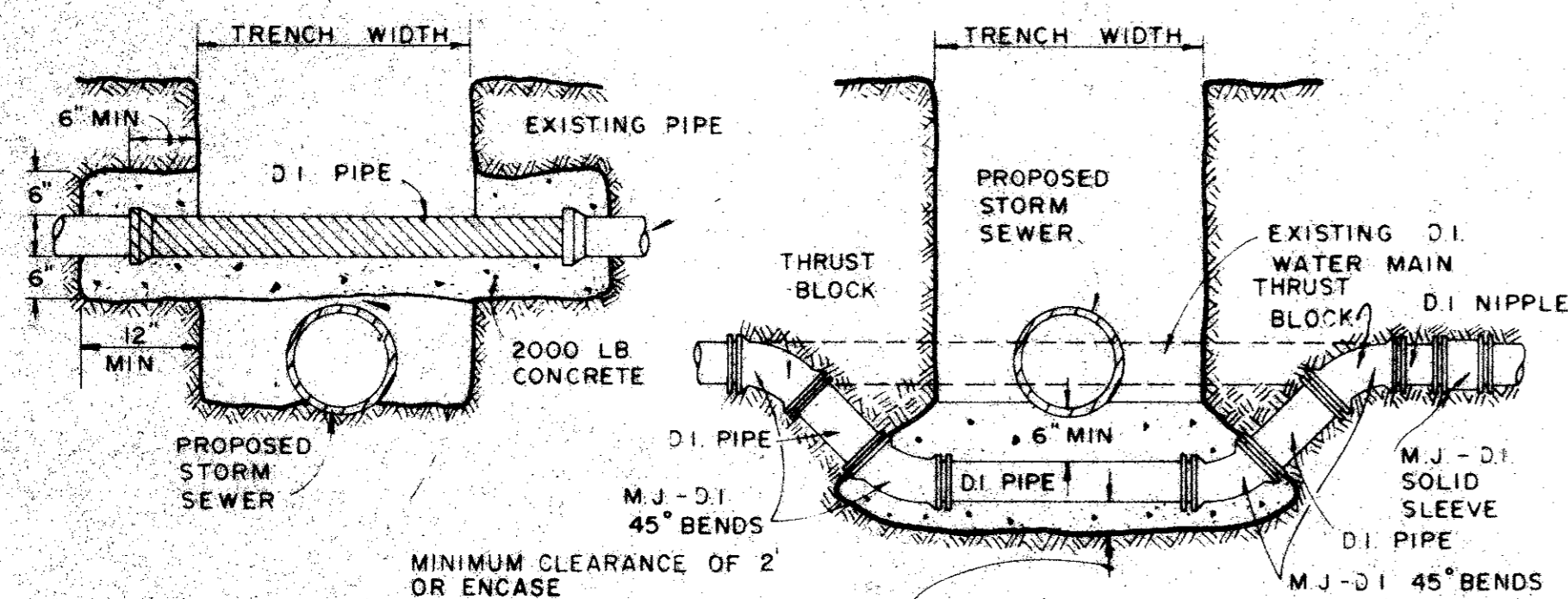
ELEVATION

TYPE B STORM SEWER MANHOLE

(FOR PIPE 33" TO 78" IN DIAMETER)

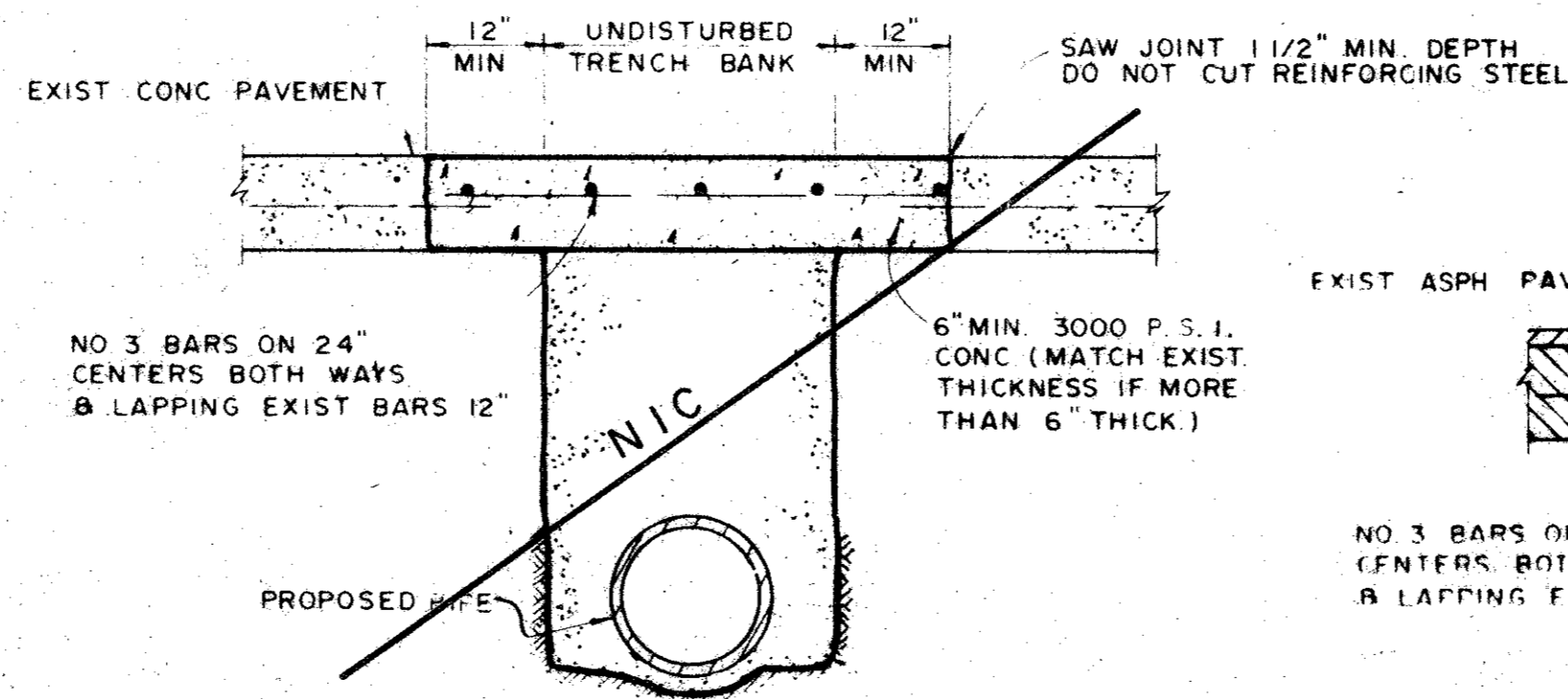


SECTION A-A

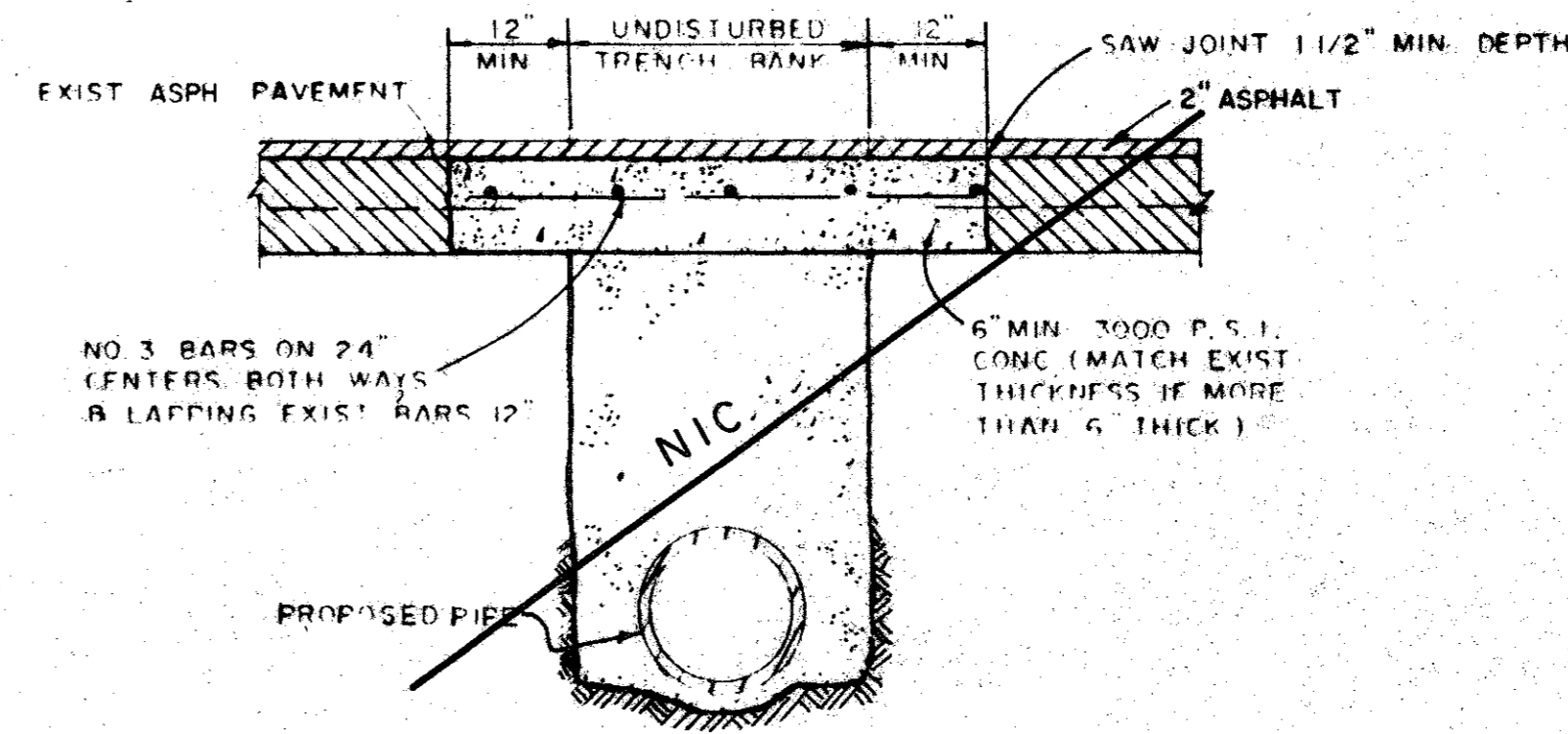


DETAIL OF UTILITY SUPPORT

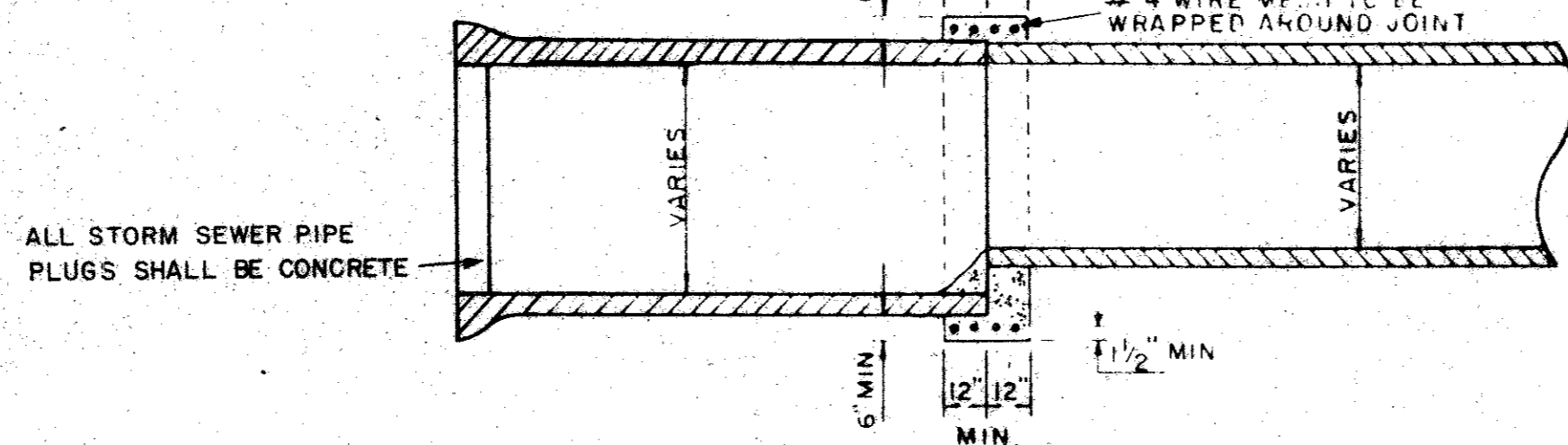
DETAIL FOR WATER MAIN LOWERING



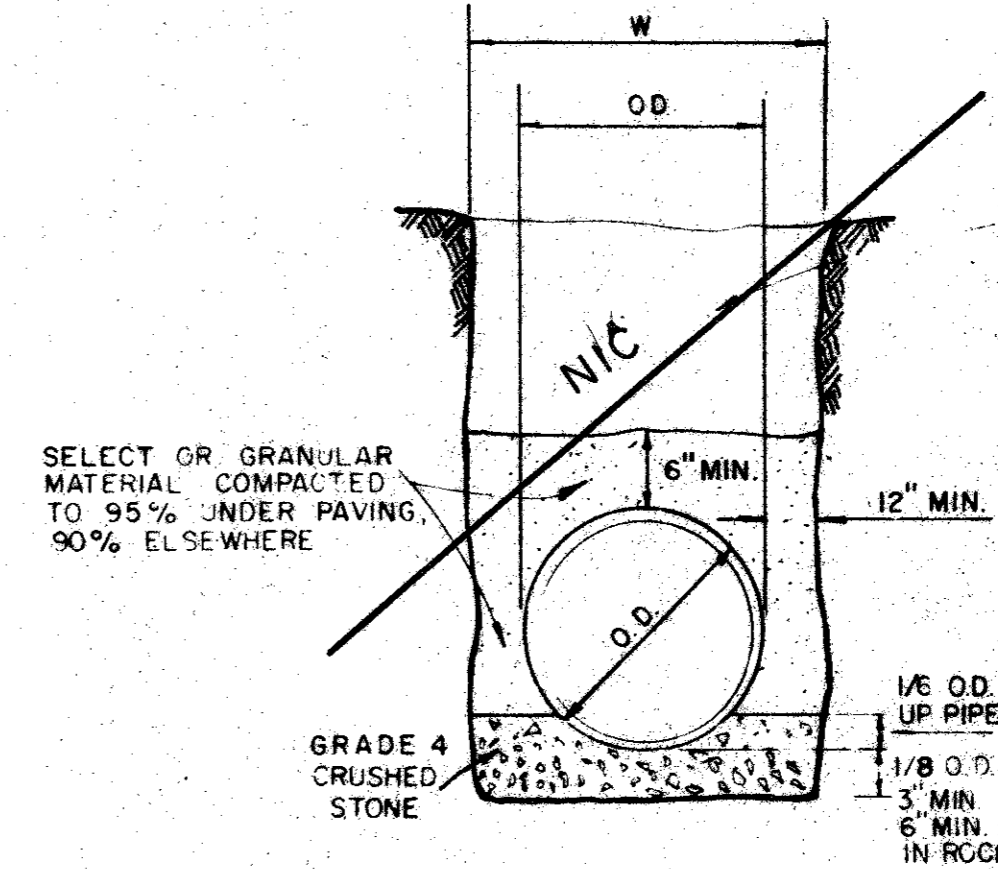
CONCRETE STREET OR DRIVEWAY REPAIR



ASPHALT STREET OR DRIVEWAY REPAIR

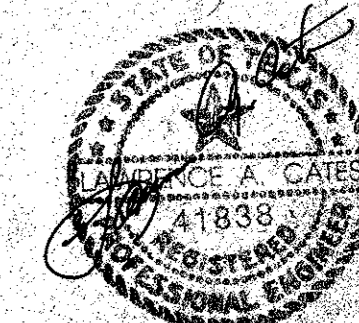


DETAIL OF CONCRETE COLLAR FOR PIPE CONNECTIONS



STORM SEWER PIPE BEDDING DETAIL

DEPTH OF TRENCH BELOW PIPE:
3" MIN. FOR 27" PIPE & SMALLER
4" MIN. FOR 30" TO 60" PIPE
6" MIN. FOR 66" PIPE & LARGER



NO.	REVISION	BY	DATE
TOWN OF ADDISON DEPARTMENT OF ENGINEERING			
STANDARD CONSTRUCTION DETAILS STORM DRAINAGE			
MANHOLES & STORM SEWER			
DATE:		SHEET	SD-1