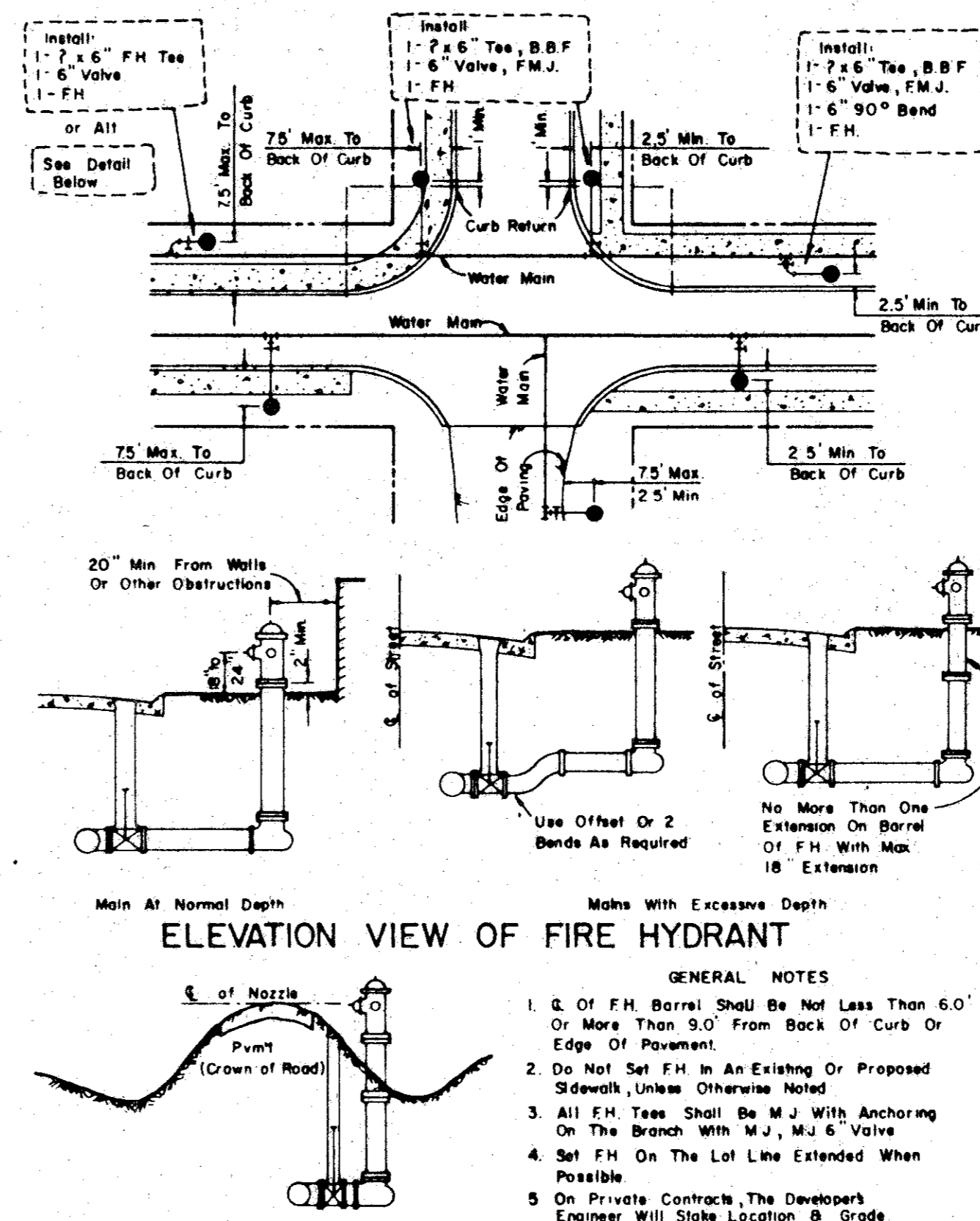


VALVE BOX DETAIL
(SEE PLANS FOR "MAIN SIZE")

FIRE HYDRANT INSTALLATION
(INCLUDES 6" VALVE)
No Scale

GATE VALVES AND VALVE BOXES.

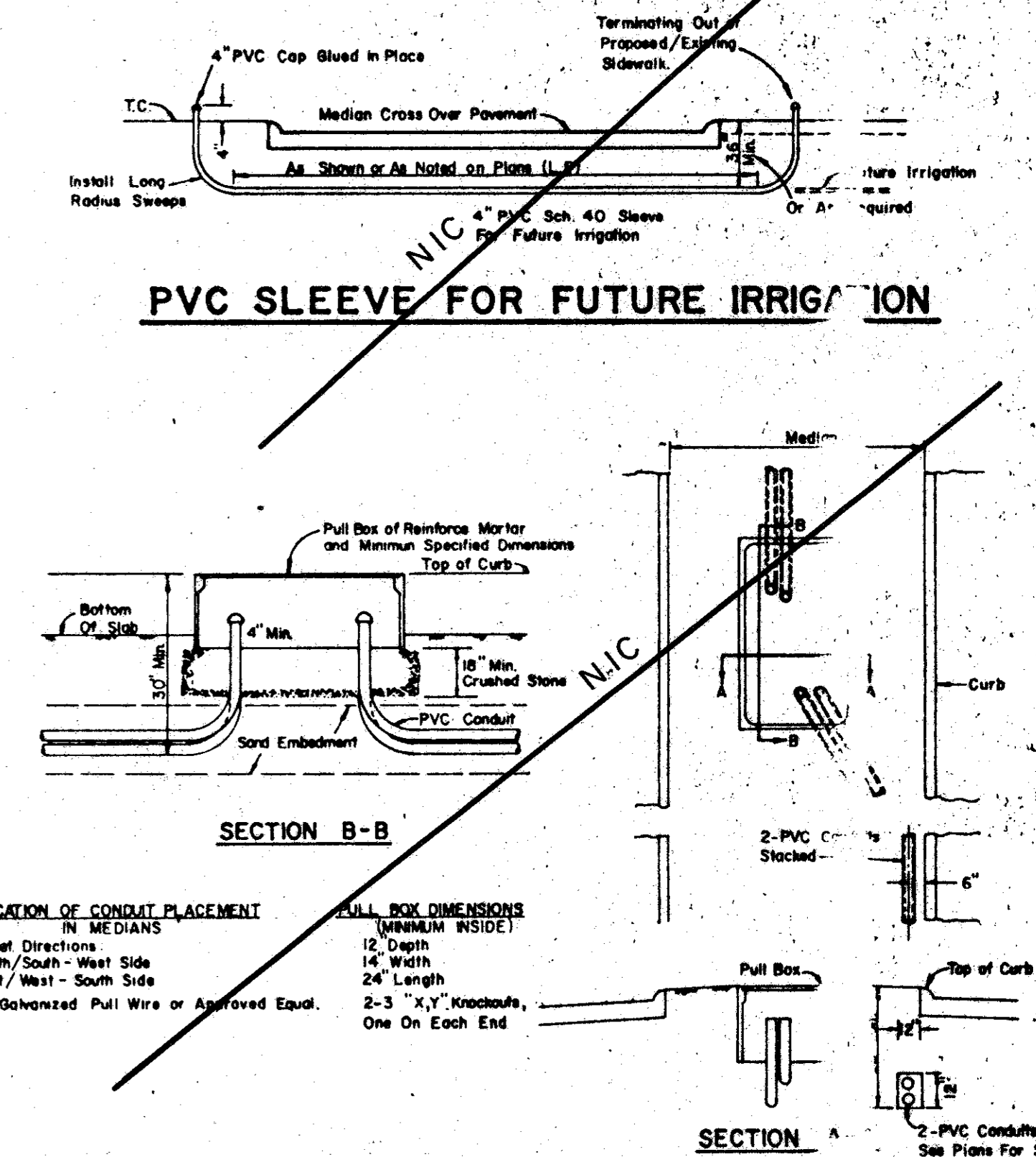
- GATE VALVES SHALL BE IRON BODY, BRONZE OR BRASS MOUNTED, NON-RISING STEM, PARALLEL SEAT TYPE VALVES SHALL BE OF EQUAL OR GREATER PRESSURE CLASS THAN THE PIPING IN WHICH THEY ARE TO BE INSTALLED.
- VALVE BOXES SHALL BE CAST IRON AND SHALL BE OF SUFFICIENT LENGTH AND DIAMETER TO OPERATE. ALL VALVES BURIED IN THE GROUND COVERS SHALL BE MARKED "WATER". THE BOXES SHALL REST ON THE VALVE AND BE ADJUSTED SO THAT THE COVER MAY BE SET FLUSH WITH THE FINISHED GRADE.



ELEVATION VIEW OF FIRE HYDRANT

GENERAL NOTES

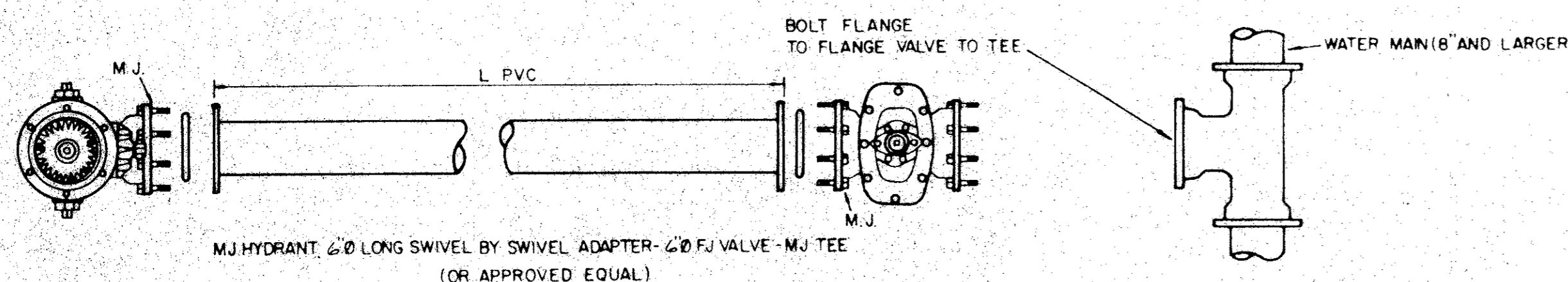
- C. of F.H. Barrel Shall Be Not Less Than 6.0' Or More Than 9.0' From Back Of Curb Or Edge Of Pavement.
- Do Not Set F.H. in an Existing Or Proposed Sidewalk, Unless Otherwise Noted.
- All F.H. Tee Shall Be M.J. With Anchoring On The Branch With M.J. 6" Valve.
- Set F.H. On The Lot Line Extended When Possible.
- On Private Contracts, The Developer's Engineer Will Stake Location & Grade.
- Never Place F.H. Where Fire Truck Could Not Park Beside It.



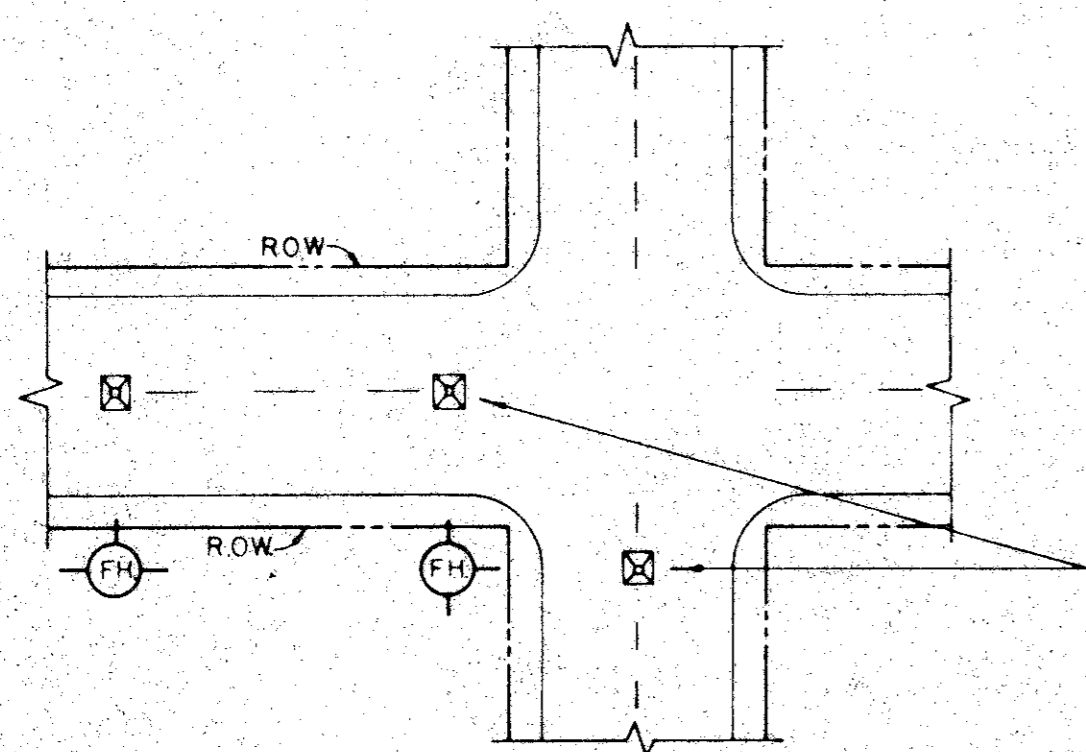
PVC SLEEVE FOR FUTURE IRRIGATION

SECTION B-B

PULL BOX & CONDUIT DETAIL

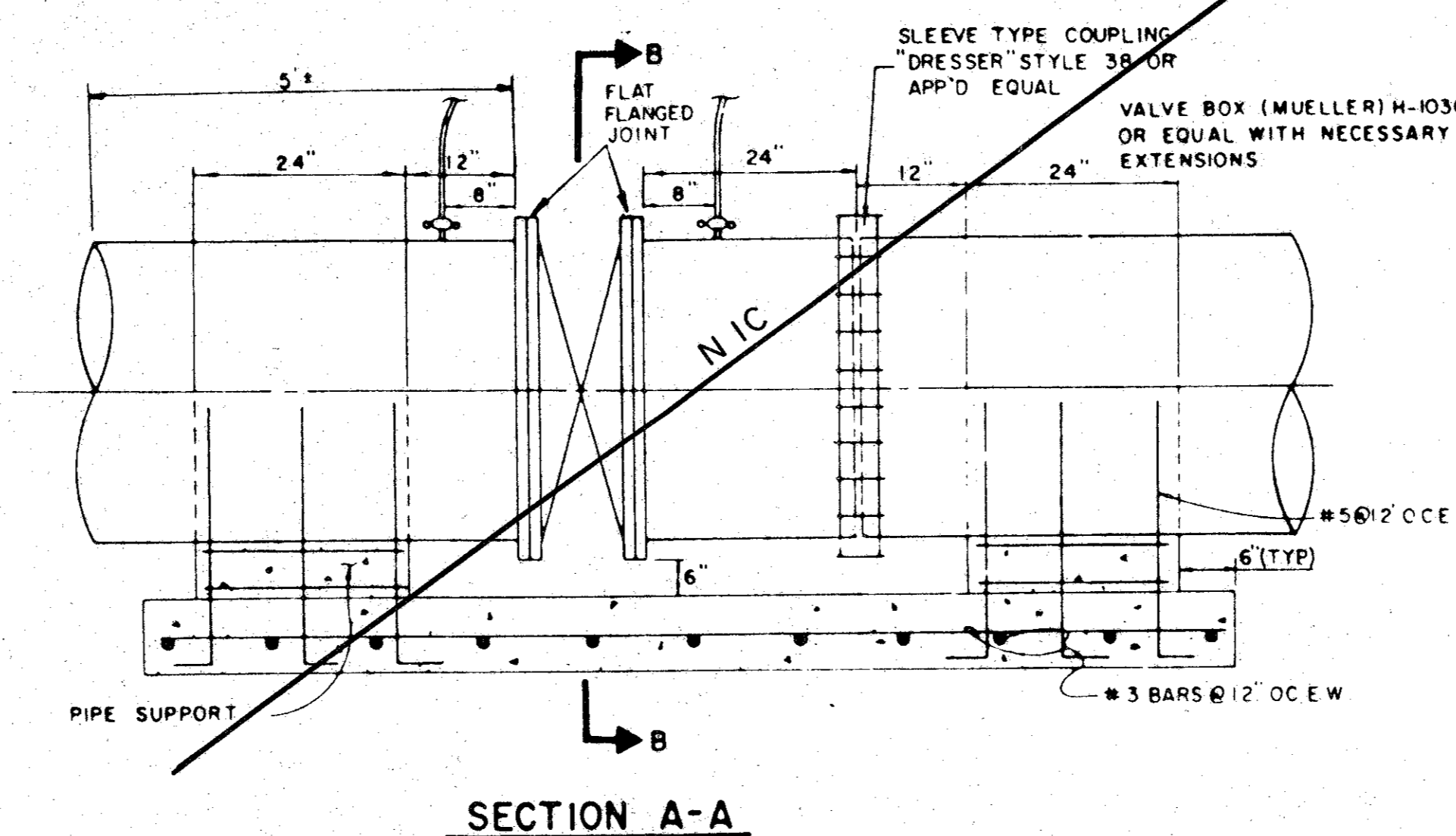


TYPICAL FIRE HYDRANT INSTALLATION



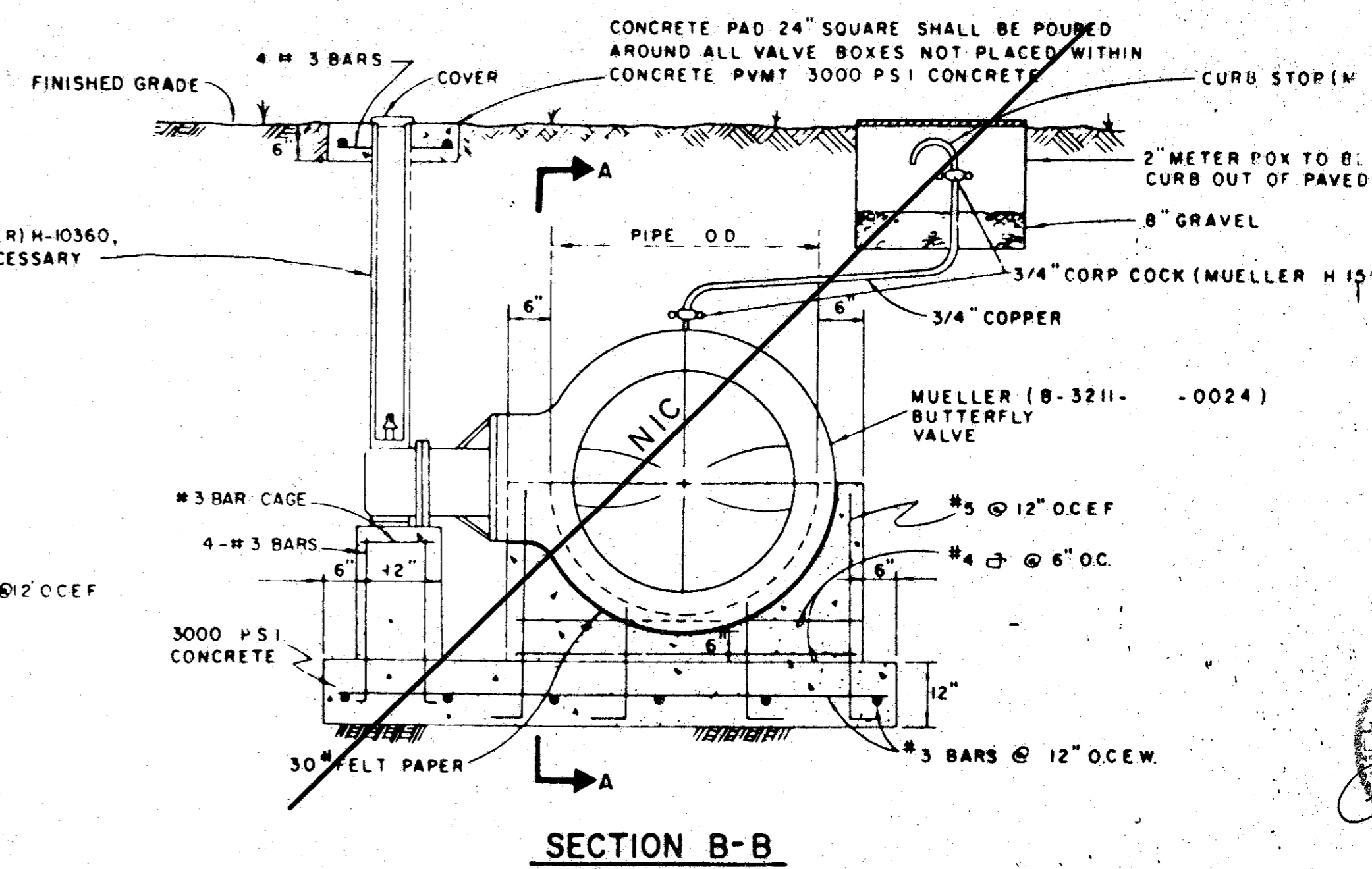
TYPICAL FIRE HYDRANT REFLECTOR INSTALLATION

A BLUE STIMONITE FIRE-LITE REFLECTOR (OR APPROVED EQUAL) TO BE PLACED IN THE CENTER OF STREET OPPOSITE FIRE HYDRANTS THE INSTALLATION OF THIS REFLECTOR SHALL BE AS PRESCRIBED BY THE MANUFACTURER

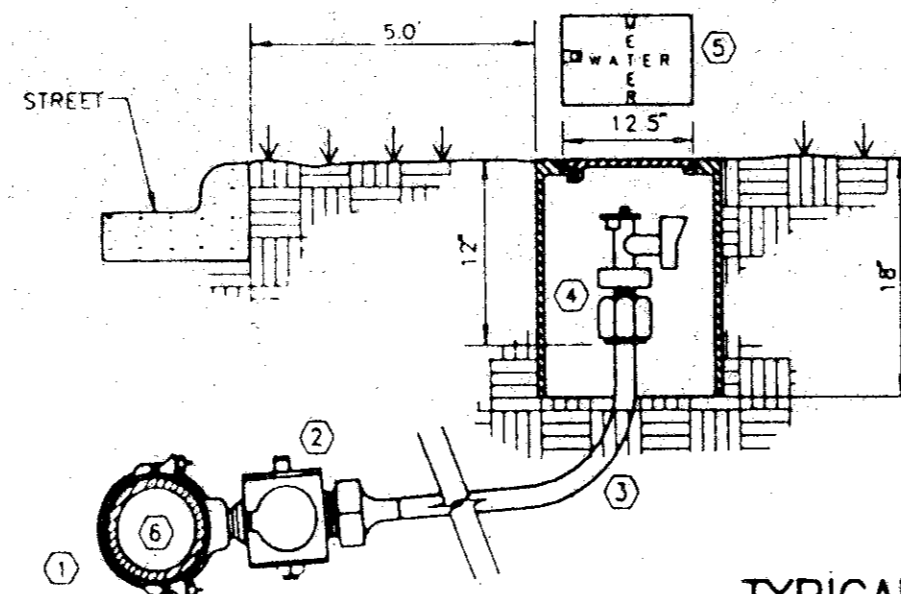


SECTION A-A

BUTTERFLY VALVE DETAIL

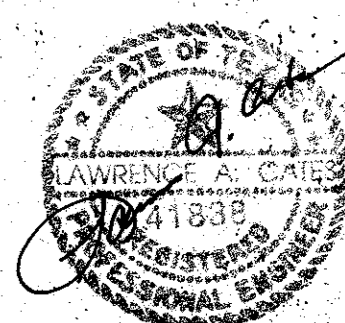


SECTION B-B



TYPICAL WATER SERVICE DETAIL

- DOUBLE STRAP BRONZE SADDLE W/CCW THREADS. MUELLER
- CORPORATION STOP W/CCW THREADS. MUELLER H-1500B COMPRESSION OR H-1500D FLARED.
- 3/4" TYPE "K" SOFT COPPER W/NO SPLICES
- ANGLE STOP W/LOCK WING. MUELLER H-1425B COMPRESSION OR H-1425S FLARED.
- WATER METER BOX (RECTANGULAR SHAPE ONLY) CONCRETE OR METAL SHELL CONSTRUCTION
- WATER MAIN PVC AWWA C900 SDR 14/18 INTEGRAL WALL BELL



TOWN OF ADDISON, TEXAS				
DEPARTMENT OF ENGINEERING				
STANDARD CONSTRUCTION DETAILS				
WATER				
FIRE HYDRANTS, PULL BOXES AND VALVES				
Designed -	Drawn -	Date -	Job No. -	
Approved -	Checked -	Scale -	Sheet SD 5	