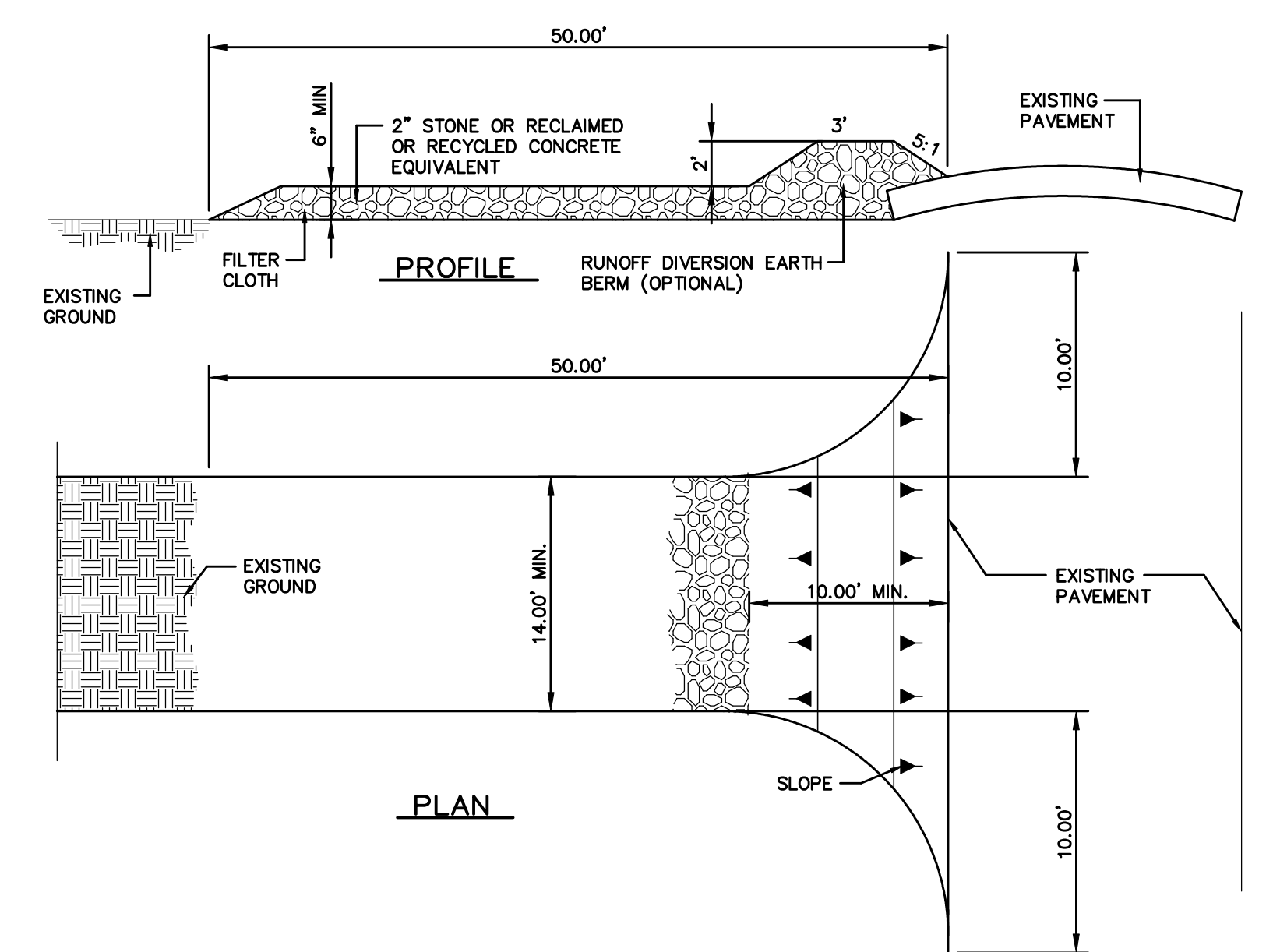
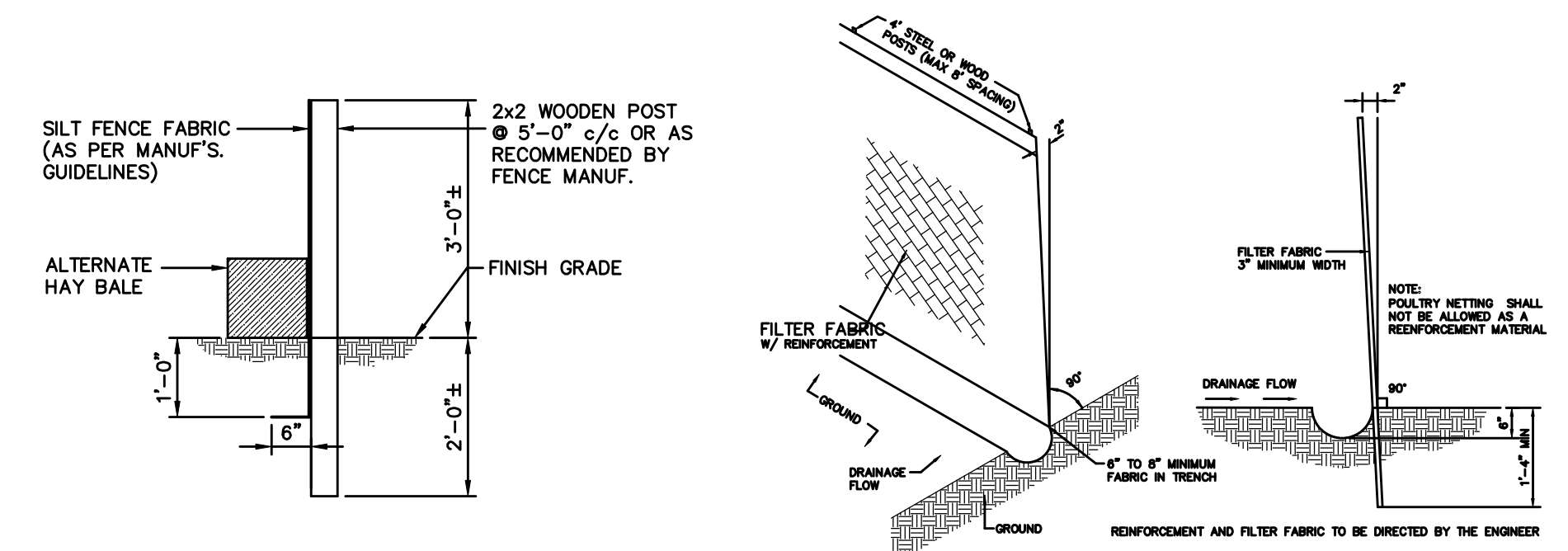


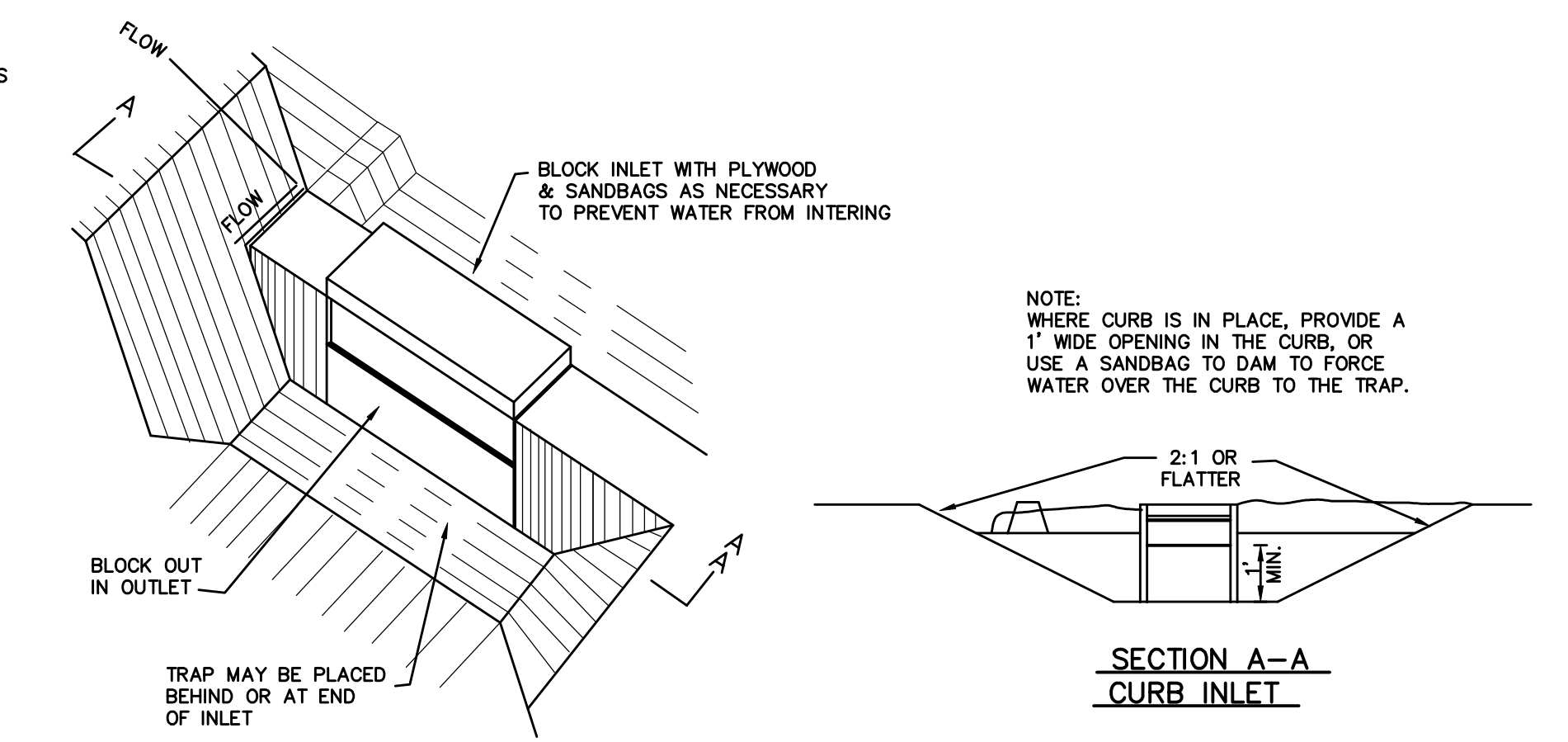
- LEGEND**
- CENTERLINE
  - CENTERLINE
  - - - PROPERTY LINE
  - - - EASEMENT
  - OHE OVERHEAD ELECTRIC LINES
  - SD STORM DRAIN SEWER
  - CONCRETE
  - H.C. HANDICAP PARKING
  - COVERED AREA
  - POWER POLE
  - WATER VALVE
  - WATER METER
  - IRRIGATION CONTROL VALVE
  - FIRE HYDRANT
  - SEWER MANHOLE
  - STORM DRAIN SEWER MANHOLE
  - SEWER CLEANOUT
  - GAS METER
  - LIGHTS
  - NG NATURAL GROUND
  - P.R.D.C.T. PLAT RECORDS OF DALLAS COUNTY, TEXAS
  - R.P.R.D.C.T. REAL PROPERTY RECORDS OF DALLAS COUNTY, TEXAS
  - EOC EDGE OF CONCRETE
  - BC BACK OF CURB
  - EP EDGE OF PAVEMENT
  - SW SIDEWALK
  - I.R.F. IRON ROD FOUND
  - I.R.S. IRON ROD SET
  - LIVE OAK (EXISTING)
  - OAK (EXISTING)
  - CEDAR (EXISTING)
  - PINE (EXISTING)
  - 12" ● TREE TRUNK
  - TOF TOP OF FOOTING ELEV
  - TOR TOP OF RETAINING ELEV
  - TOW TOP OF WALL ELEV
  - 653.65BC EXISTING BACK OF CURB ELEV
  - 50 FINISH CONTOUR LINE
  - 654 EXISTING CONTOUR LINE
  - EXISTING CONCRETE CURB



**STABILIZED CONSTRUCTION ENTRANCE**  
Dwg Name: STACE.dwg SCALE: NOT TO SCALE



**SILT FENCE DETAIL** Dwg Name: sligfd.dwg SCALE: 1/2" = 1'-0"  
**SEDIMENT CONTROL FENCE** Dwg Name: sedcd.dwg SCALE: NOT TO SCALE



**INLET PROTECTION DETAIL**  
NOT TO SCALE

**SURVEY CONTROL**  
CONTROL MONUMENT FOUND #COA-13 630' WEST FROM INTERSECTION OF ADDISON ROAD & WESTGROVE DRIVE THEN 15.7' SOUTH FROM BACK OF CURB, 5' FROM STREET SIGN & 8' SOUTH TO BACK OF CURB OF WEST GROVE ROAD US SURVEY FEET NAVD 88 ELEVATION 642.09 MONUMENT: 2" BRASS DISK STAMPED "TXDOT COA-13 GPS" STATE PLANE COORDINATES NORTHING: 7042028.880 EASTING: 2479820.516 DALLAS COUNTY SCALE FACTOR: 1.000136506 ELEVATIONS ARE NAVD 88 BASED UPON TXDOT VRS NETWORK



| DATE:    | REVISION DESCRIPTION: | STORM WATER POLLUTION PREVENTION PLAN                                   |  |
|----------|-----------------------|---|--|
| 6/16/08  | RHT                   | REPLAT WESTGROVE AND AIRBORN BEING A REPLAT OF BLOCK A, CARROLL ESTATES |  |
| 7-3-08   | RHT                   | EASEMENTS   |  |
| 8-3-08   | RHT                   | MISCELLANEOUS   |  |
| 11-3-08  | RHT                   | MISCELLANEOUS   |  |
| 11-18-08 | RHT                   | MISCELLANEOUS   |  |

|                 |                 |                      |            |
|-----------------|-----------------|----------------------|------------|
| DATE: 1-9-08    | SCALE: 1" = 40' | FILE NUMBER: 4221AIR | DATA FILE: |
| DRAWN BY: MGB   |                 | FIELD BOOK:          |            |
| CHECKED BY: GGG |                 | SHEET 8 OF 14        |            |

**AS BUILT**  
APRIL 30, 2010  
REV: 10/4/10

**KISTENMACHER ENGINEERING COMPANY, INC.**  
CONSULTING ENGINEERING • LAND PLANNING • SURVEYING  
1420 GERONIMO DRIVE, SUITE A2 • EL PASO, TEXAS 79925 • 915-778-4475  
6336 GREENVILLE AVE, SUITE C • DALLAS, TEXAS 75206 • 214-234-0011