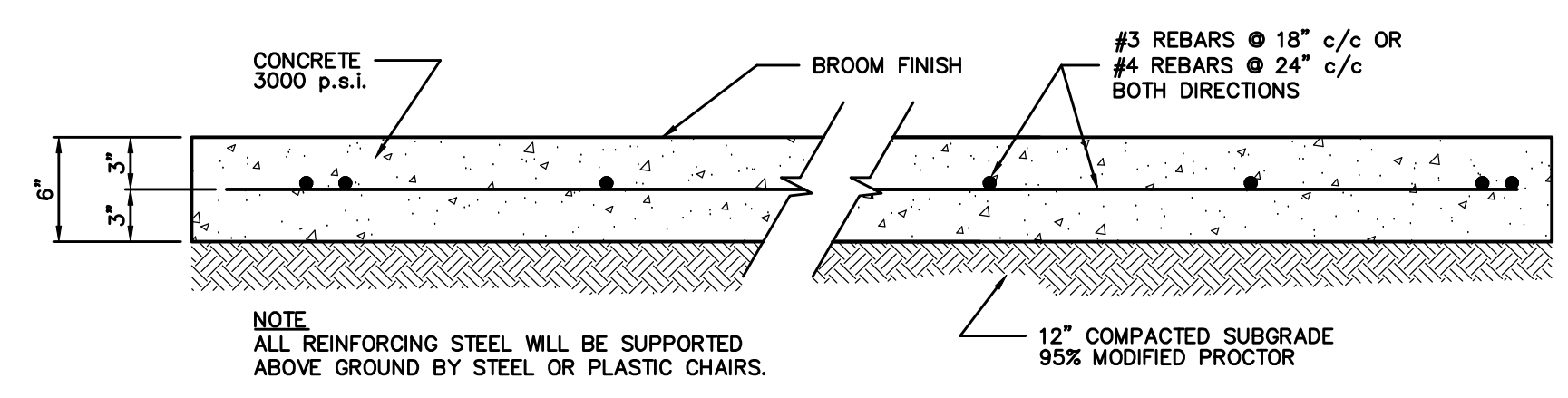


CONSTRUCTION & CONTRACTION JOINT
(PRIVATE)
SCALE = 1"=1'



CONCRETE PAVING SECTION
(PRIVATE)
SCALE = 1" = 1'

AS BUILT
APRIL 30, 2010



DATE:	REVISION DESCRIPTION
6/16/08	RHT
8/3/08	RHT
9/26/08	RHT
11/18/08	RHT
12/23/08	RHT
	RHT

CONCRETE PAVING & JOINT DETAIL			
REPLAT WESTGROVE AND AIRBORN			
BEING A REPLAT OF BLOCK A, CARROLL ESTATES			
TOWN OF ADDISON		DALLAS COUNTY	
		TEXAS	
DATE:	4/25/08	SCALE:	1" = 30'
FILE NUMBER:	4221AIR	DATA FILE:	
DRAWN BY:	RHT	CHECKED BY:	GCK
COMPANY:	KISTENMACHER ENGINEERING COMPANY, INC.	PROJECT:	
ADDRESS:	1420 GERONIMO DRIVE, SUITE A2 • EL PASO, TEXAS 79925 • 915-778-4475	DATE:	APRIL 30, 2010
PHONE:	8336 GREENVILLE AVE, SUITE C • DALLAS, TEXAS 75206 • 214-234-0011	SHEET:	9
		OF:	14