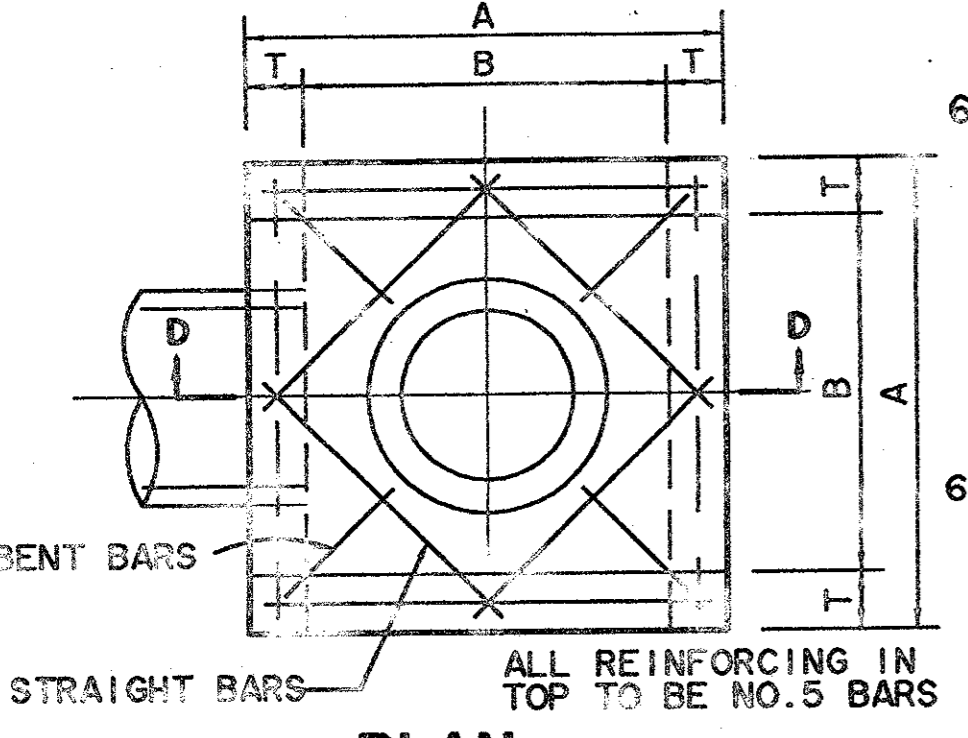
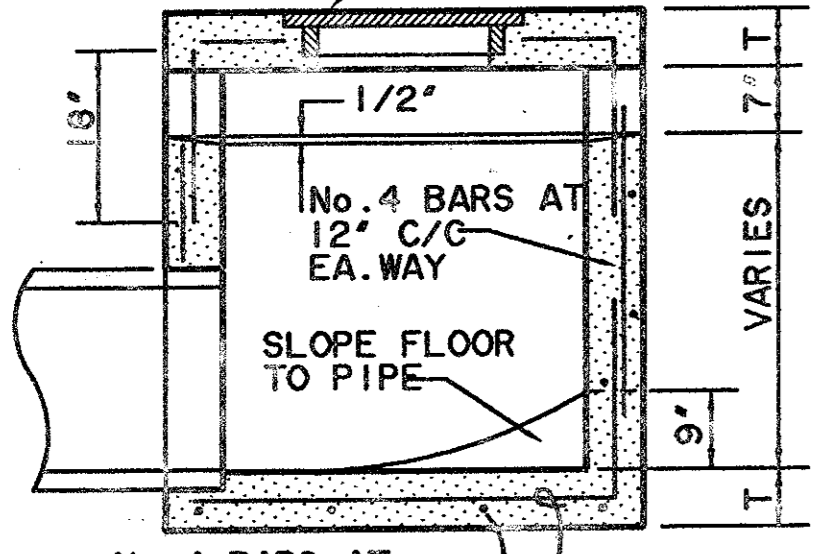


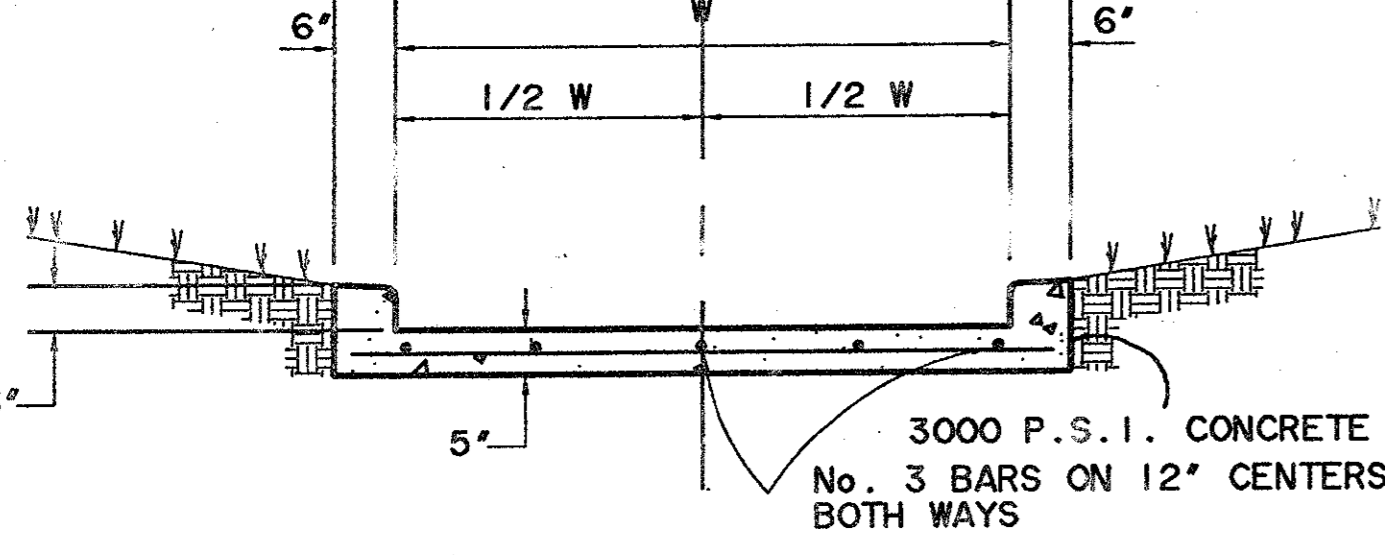
DIMENSIONS FOR DROP INLET			
INLET SIZE	A	B	T
2' X 2'	36"	24"	6"
3' X 3'	48"	36"	6"
4' X 4'	60"	48"	6"



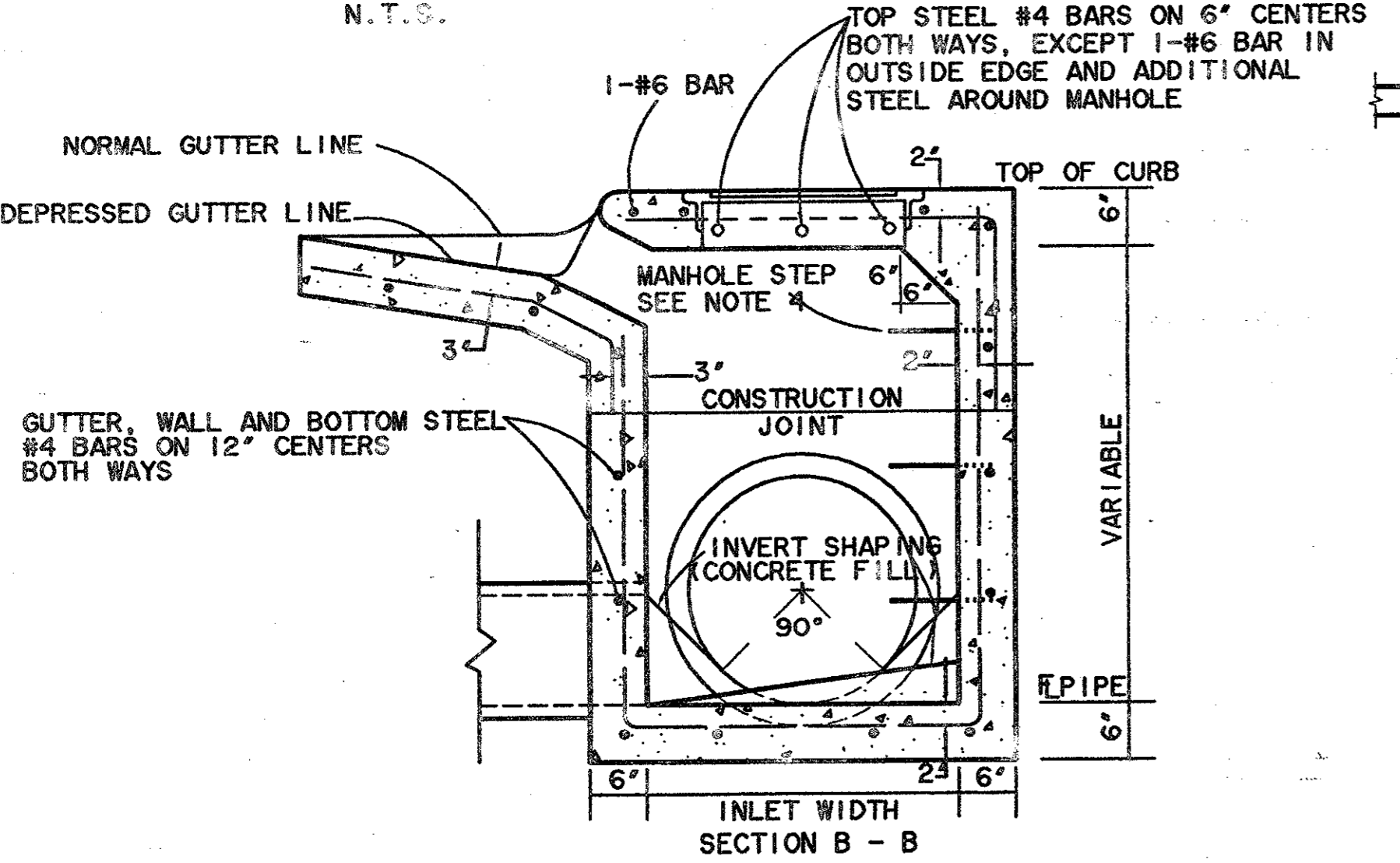
PLAN
N.T.S.
STD. INLET FRAME & COVER 630



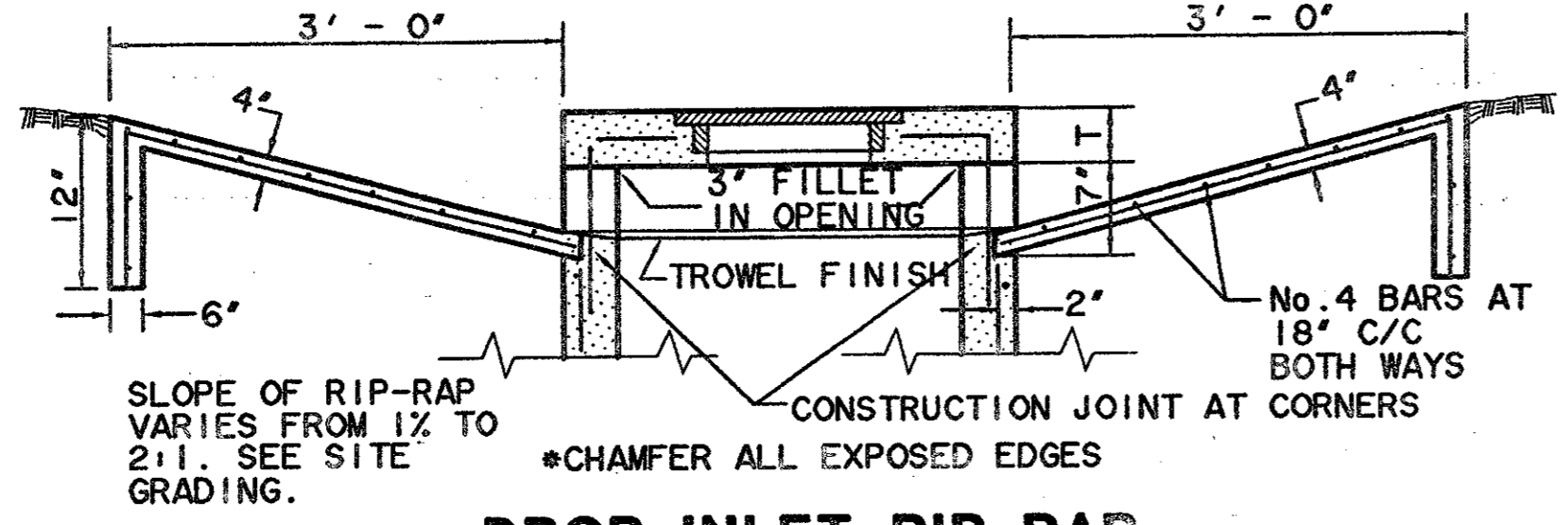
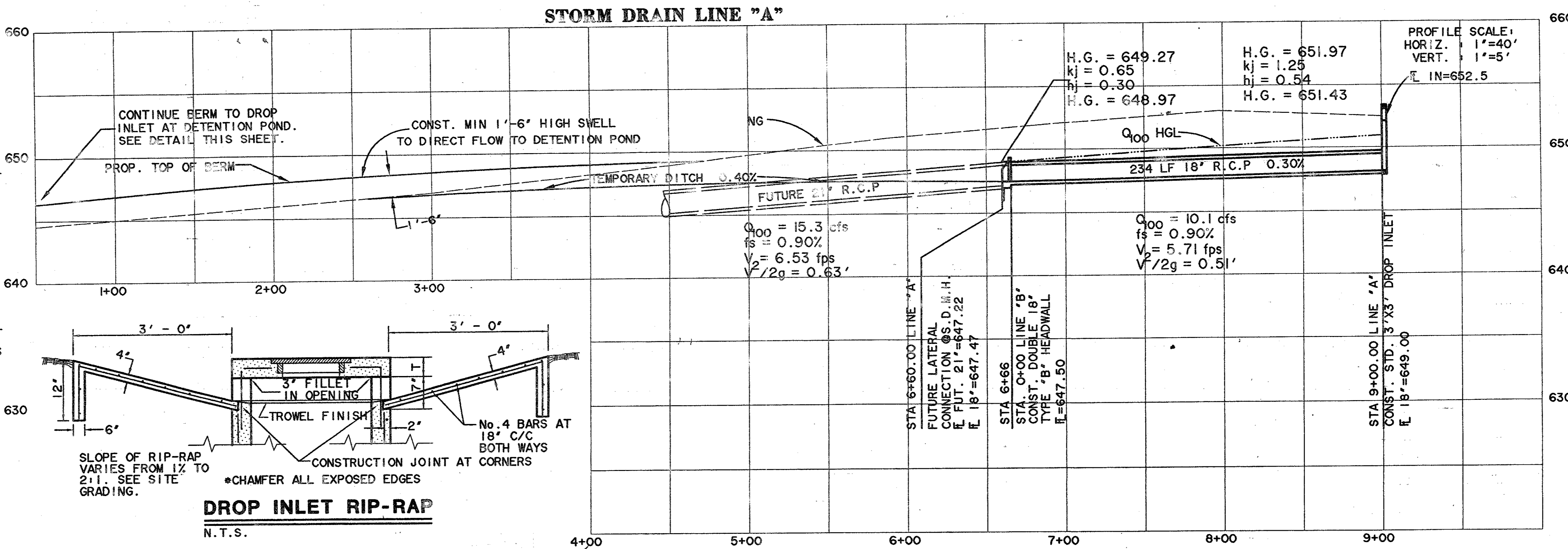
SECTION D-D
N.T.S.



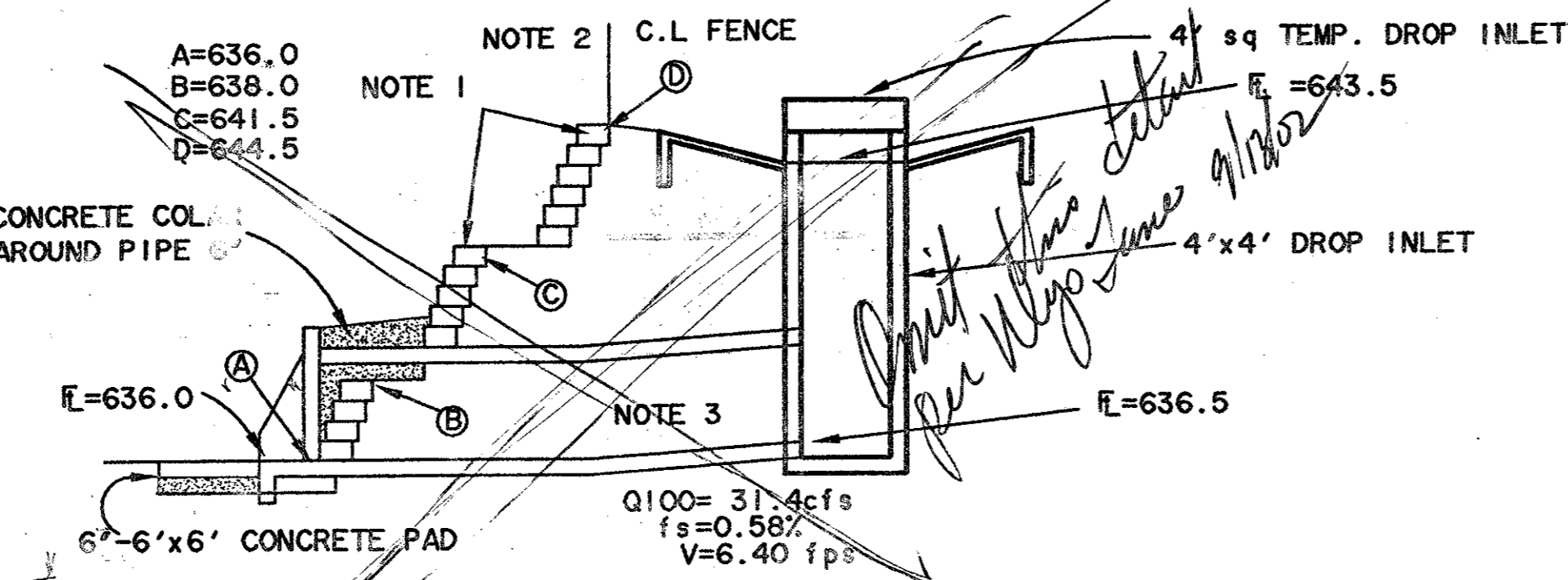
3' FLUME DETAIL
N.T.S.



CURB INLET
N.T.S.



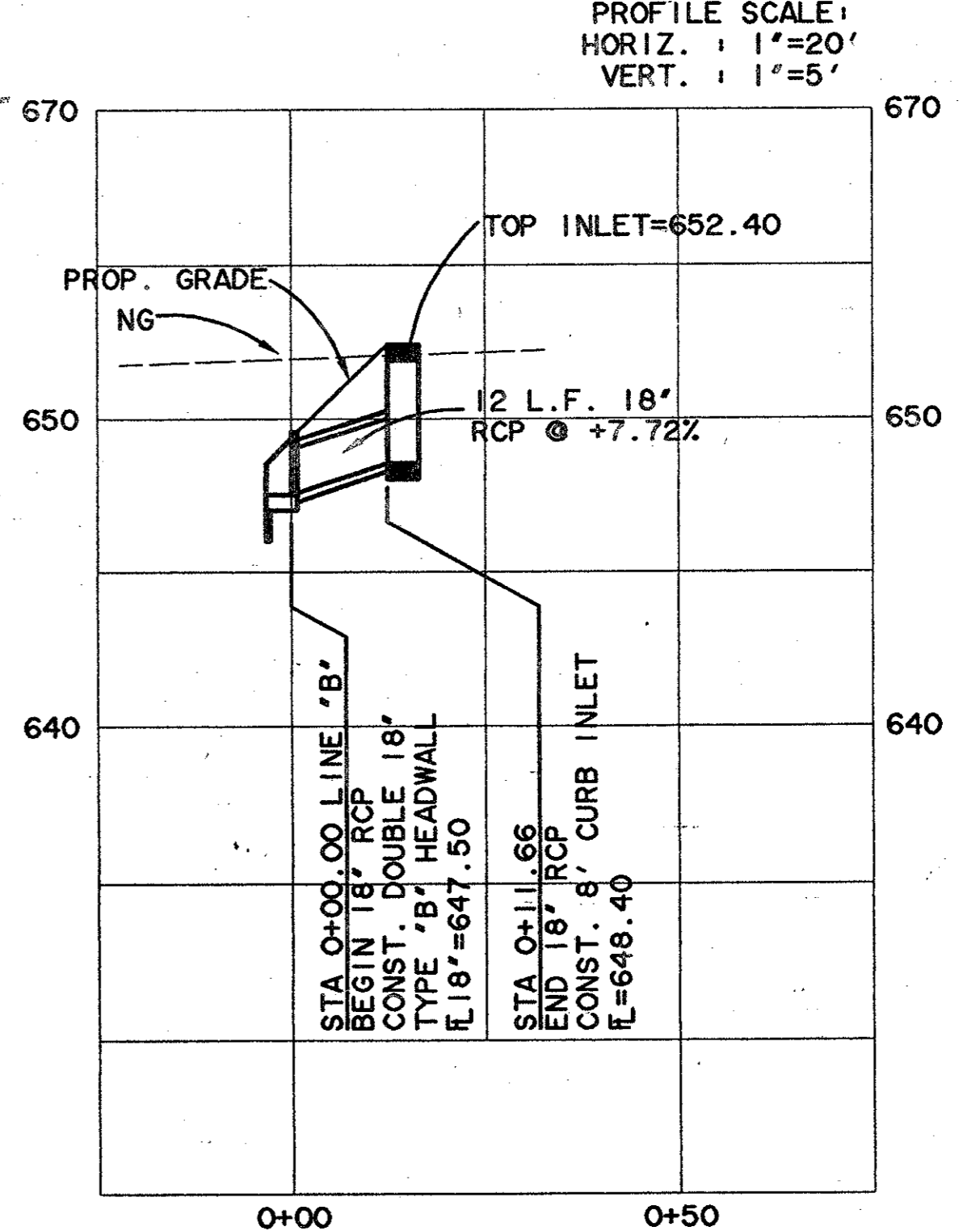
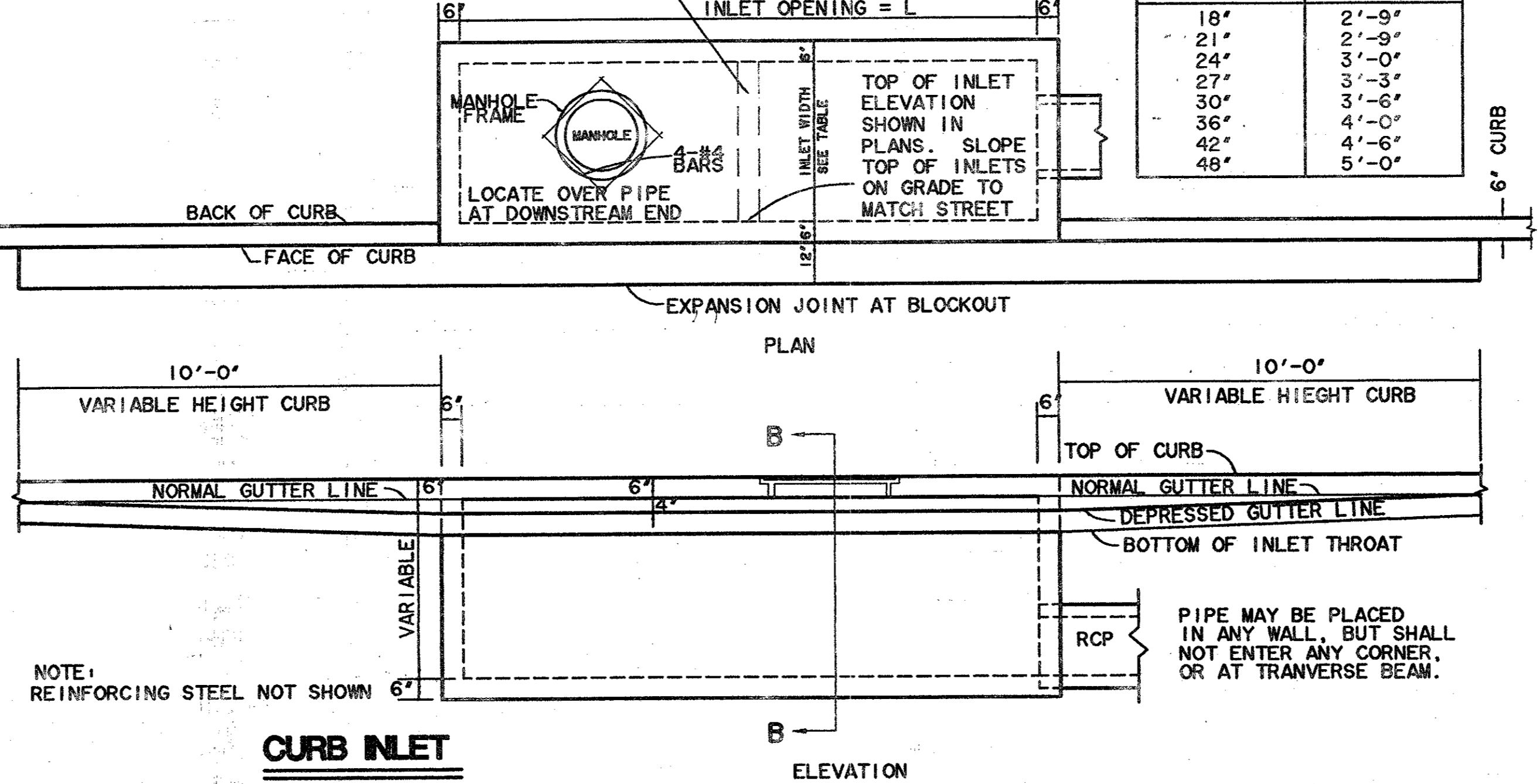
DROP INLET RIP-RAP
N.T.S.



CONNECTION TO DETENTION POND
N.T.S.

- NOTE 1: REMOVE BACKFILL BEHIND INTERLOCK BLOCK WALL BEGINNING AT TOP SECTION. REMOVE BLOCKS MANUALLY TO ALLOW TRENCH CONSTRUCTION FOR PIPE INSTALLATION. REPLACE AND BACKFILL WALL AFTER S.D. INSTALLED.
- NOTE 2: TEMPORARY REMOVE FENCE. REPLACE WHEN COMPLETED.
- NOTE 3: 20 LF 30" RCP

INLET WIDTH TABLE	
PIPE DIAMETER	INLET WIDTH
18"	2'-9"
21"	2'-9"
24"	3'-0"
27"	3'-3"
30"	3'-6"
36"	4'-0"
42"	4'-6"
48"	5'-0"



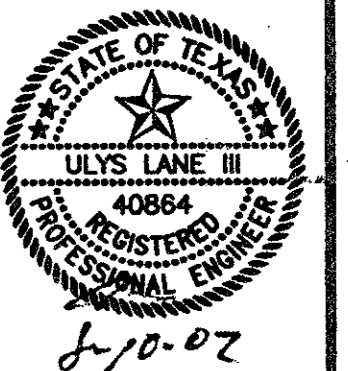
STORM DRAIN LINE "B"

PREPARED BY:
WIER & ASSOCIATES, INC.
ENGINEERS SURVEYORS LAND PLANNERS
4300 BELWAY PLACE SUITE 130 ARLINGTON, TEXAS 76010 METRO (817) 467-7700
8721 5th STREET FRODO, TEXAS METRO (214) 397-8800
www.wierassociates.com

NO.	DATE	DESCRIPTION	BY

START INTERNATIONAL
SOJOURN PLAZA
ADDITION
LOT 3R, BLOCK A

STORM DRAIN
PROFILES AND DETAILS



COPYRIGHT ©
WIER & ASSOCIATES, INC.
LAST SHEET EDIT
DATE 06/06/02
WAR 01095
SHEET NO. 7