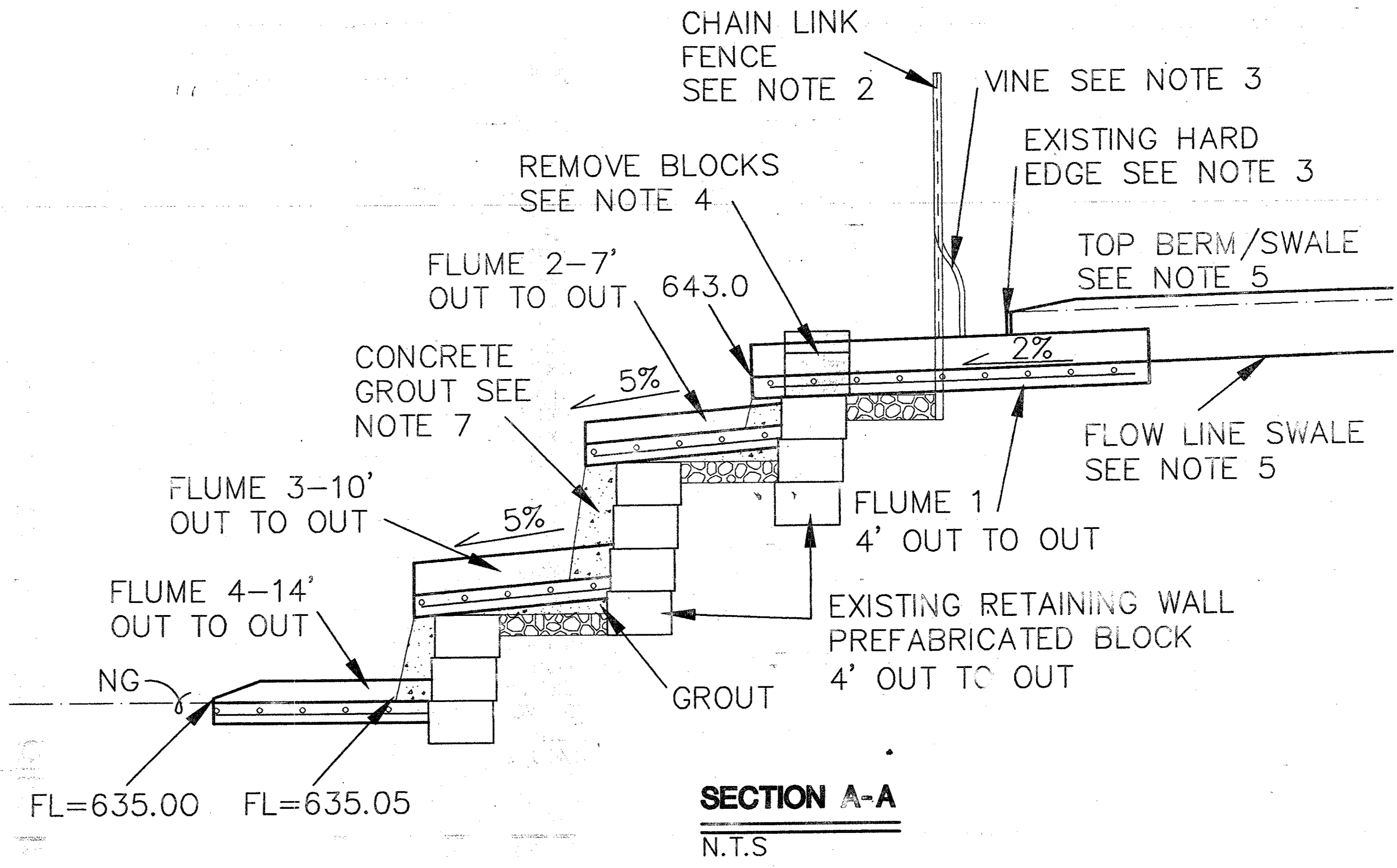


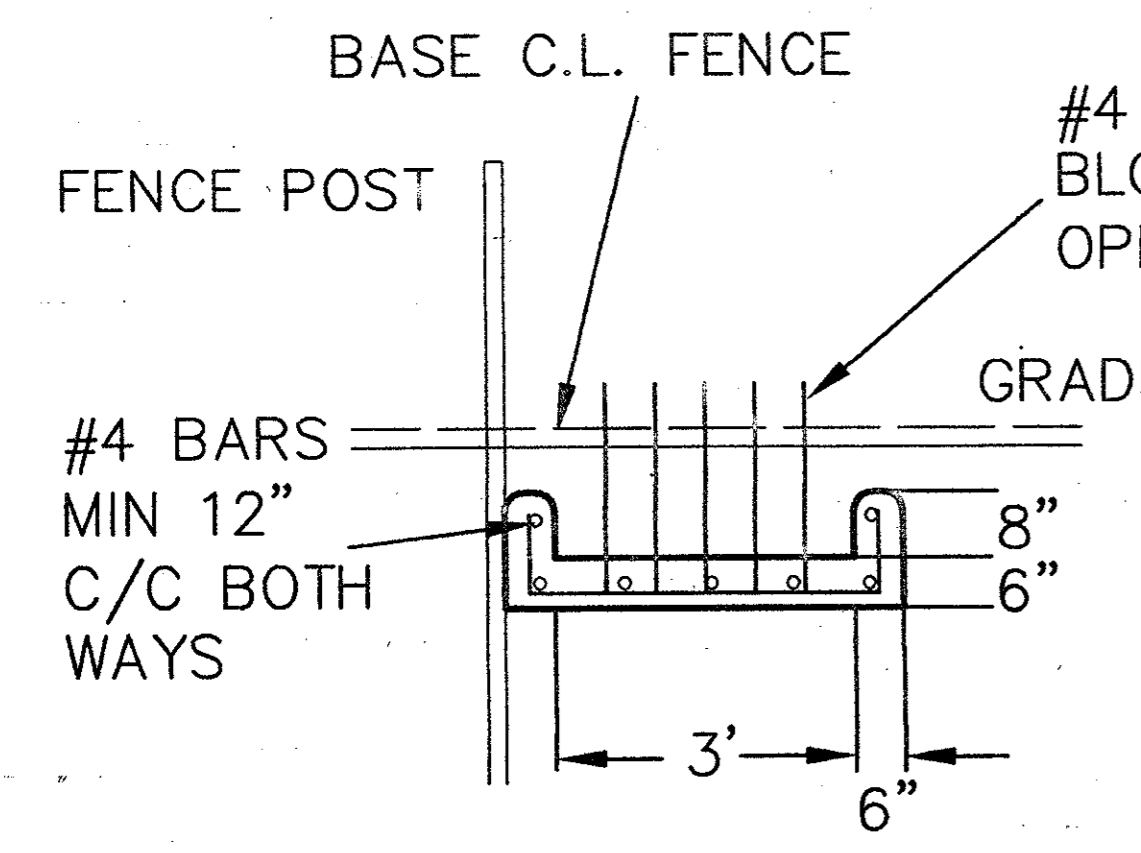
**PLAN 1'-5'-0"**



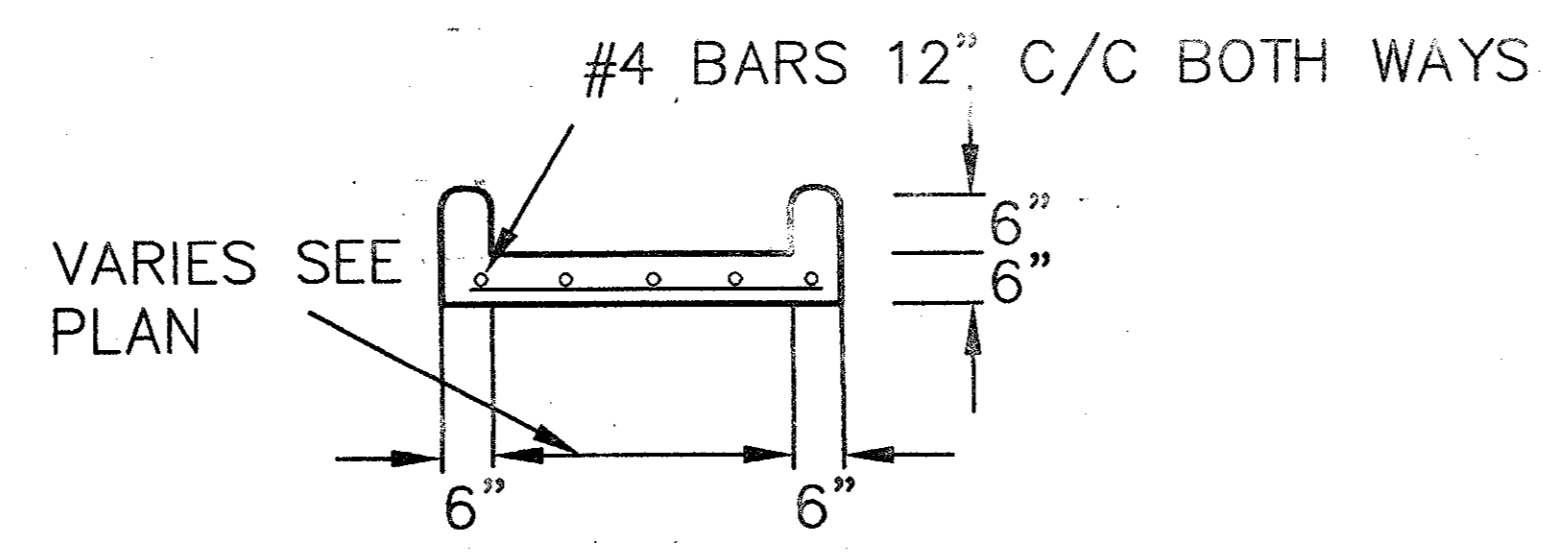
**SECTION A-A**  
N.T.S

DROP FLUME INTO EXISTING DETENTION POND NOTES

1. DO NOT DISTURB EXISTING LANDSCAPING BEYOND OUTSIDE OF FLUME NO. HAND WORK ALL EXCAVATION AND REMOVAL OF ITEMS. CONSTRUCT FLUMES FROM DOWNHILL TO UPHILL AND PLACE CONCRETE AND ALL WORK WITHOUT REMOVING EXISTING CHAIN LINK FENCE. PLACE CONCRETE SHUT UNDER FENCE AFTER REMOVAL OF UPPER WALL BLOCKS AND MOVE BY HAND.
2. PLACE SOUTH OUTSIDE FLUME NO. 1 BUTTING UP TO EXISTING CHAIN LINK FENCE POST.
3. REMOVE MAXIMUM ONE VINE AT ENTRY OF FLUME NO. INTO EXISTING DETENTION POND. CUT OUT AND REMOVE METAL LANDSCAPE HARD EDGE FLUSH WITHOUT OF FLUME. DO NOT DISTURB EXISTING LANDSCAPING BEYOND OUTSIDE OF FLUME NO. 1 FORM. HAND WORK ALL EXCAVATION AND REMOVAL OF ITEMS.
4. REMOVE EXISTING CONCRETE PRECAST BLOCKS AT TOP FLUME AND DELIVER TO TOWN OF ADDISON TO SALVAGE. REMOVE TOP CAP AND FIRST BLOCK AS REQUIRED TO INSTALL FLUME. CONCRETE GROUT BETWEEN BLOCKS AND OUTSIDE OF FLUME.
5. EXTEND EARTHEN BERM/SWALE UP TO METAL HARD EDGE. CONSTRUCT BERM/SWALE BY COMBINATION OF CUTTING AND FILLING TO MINIMIZE IMPACT TO APPEARANCE OF OFFSITE PROPERTY.
6. REINSTALL CRUSHED STONE BASE AT EDGE OF FLUMES AND ADD TO AS REQUIRED TO FILL VOIDS.
7. PLACE CONCRETE GROUT ON FACE OF BLOCKS BENEATH FLUMES AND WIDEN GROUT WIDTH AROUND OUTSIDE EDGES TO CUP AND DIRECT FLOW TOWARD CENTER OF FLUMES.
8. ALL CONCRETE FOR FLUMES AND GROUT TO BE MINIMUM 4,200 PSI CONCRETE WITH MINIMUM 6 SACK CEMENT PER CUBIC YARD.



**FLUME NO 1 SECTION**  
N.T.S



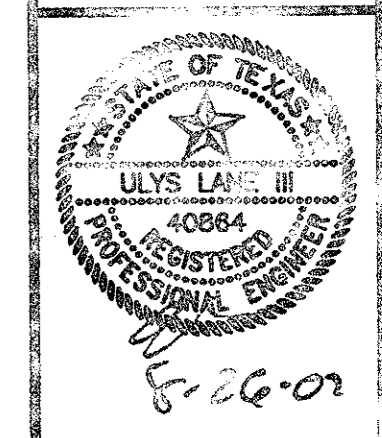
**FLUME NO 2,3 AND 4 SECTION**  
N.T.S

PREPARED BY:  
**VIVA WIEB & ASSOCIATES, INC.**  
ENGINEERS SURVEYORS LAND PLANNERS  
400 BELLEVUE PLACE SUITE 130 DALLAS, TEXAS 75206 MEMO (409) 467-7700  
8721 S. SHEET ROAD, TEXAS MEMO (940) 397-8000  
www.vivawieb.com

NO.	DESCRIPTION	BY

START INTERNATIONAL  
SOJOURN PLAZA  
ADDITION  
LOT 3R, BLOCK A

FLUME DETAIL  
ANTI SECTIONS



COPYRIGHT © ASSOCIATES  
LAST SHEET EDIT  
DATE 08-26-2002  
WAF 01022  
SHEET NO.  
7A

FILE: FlumeDetail.dwg  
TIME: 9:29