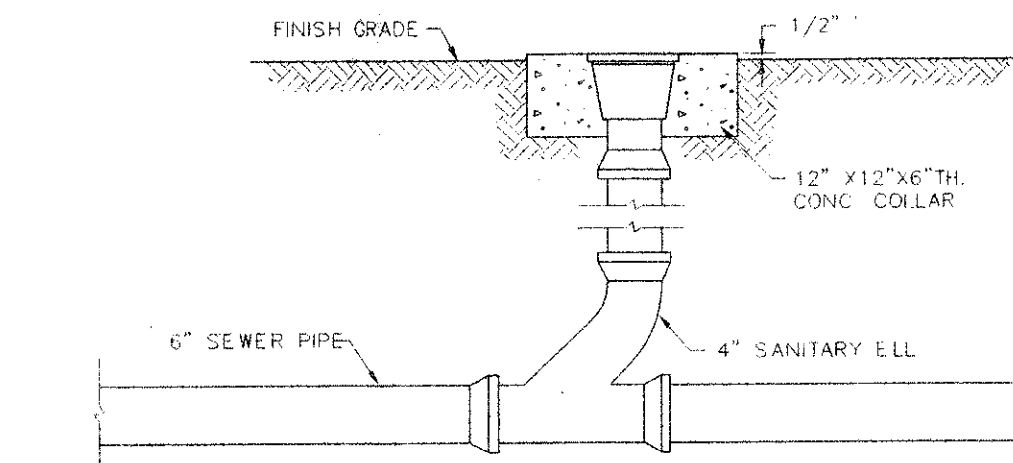
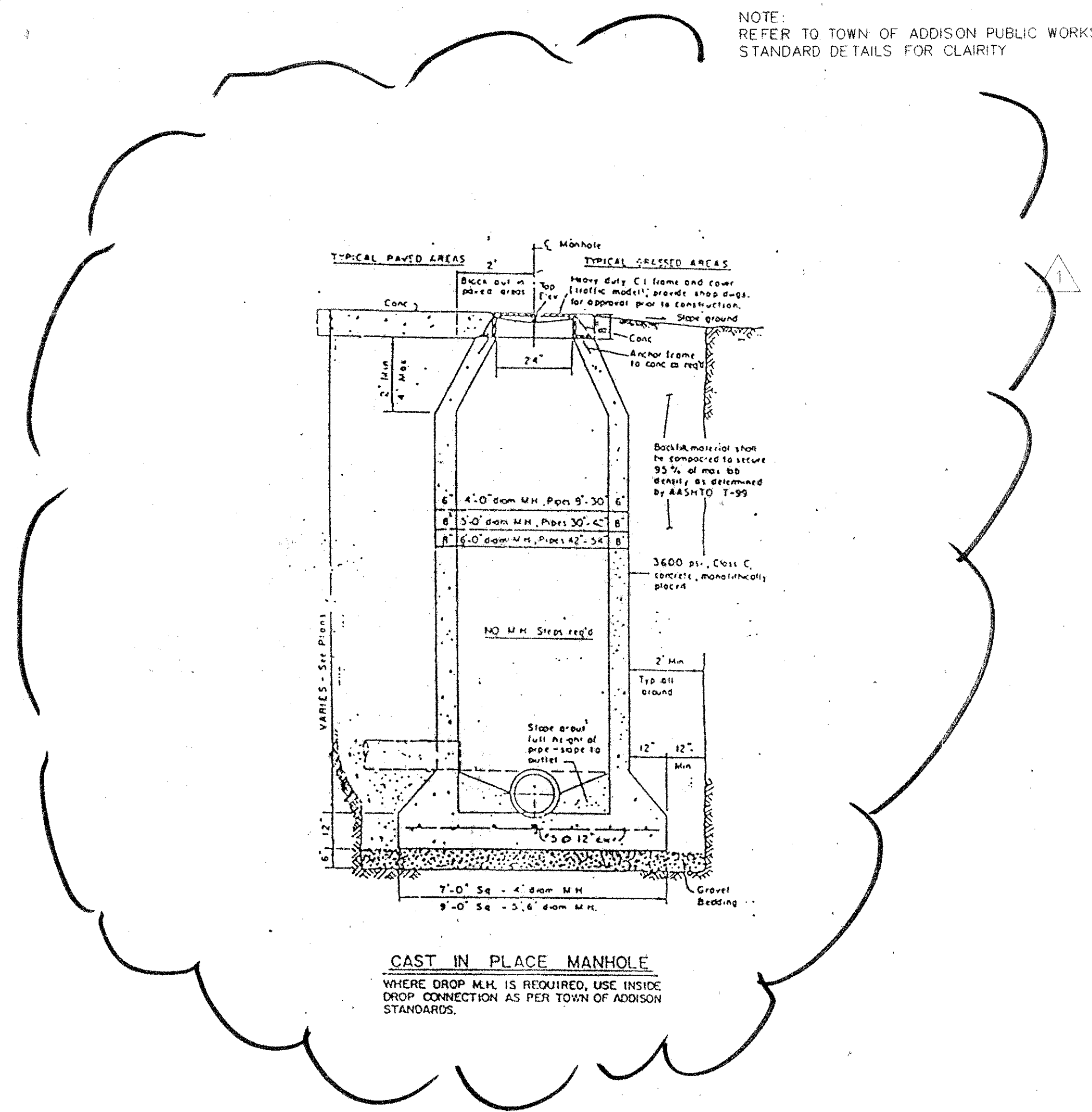
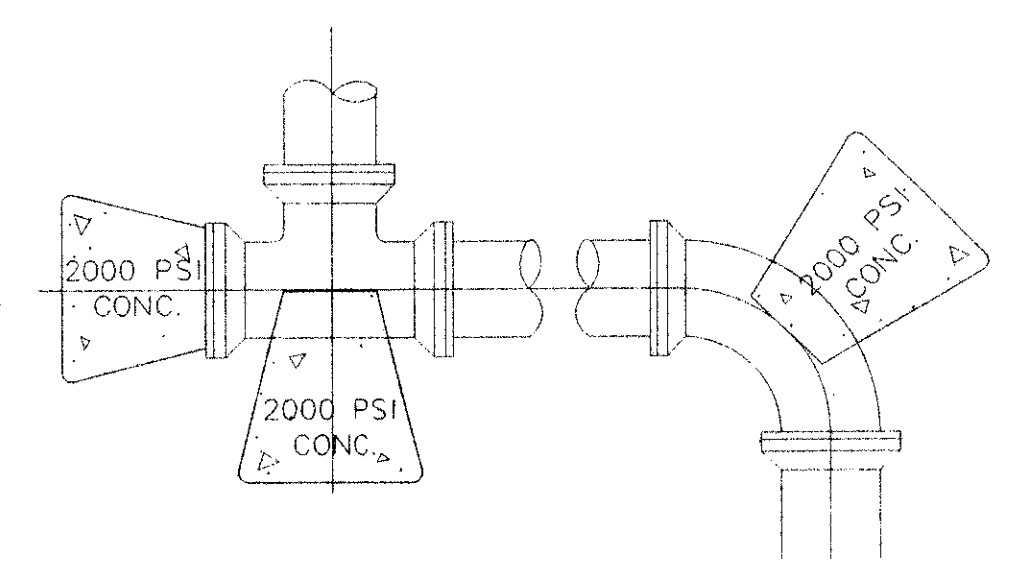


PARKING DETAIL
N.T.S.

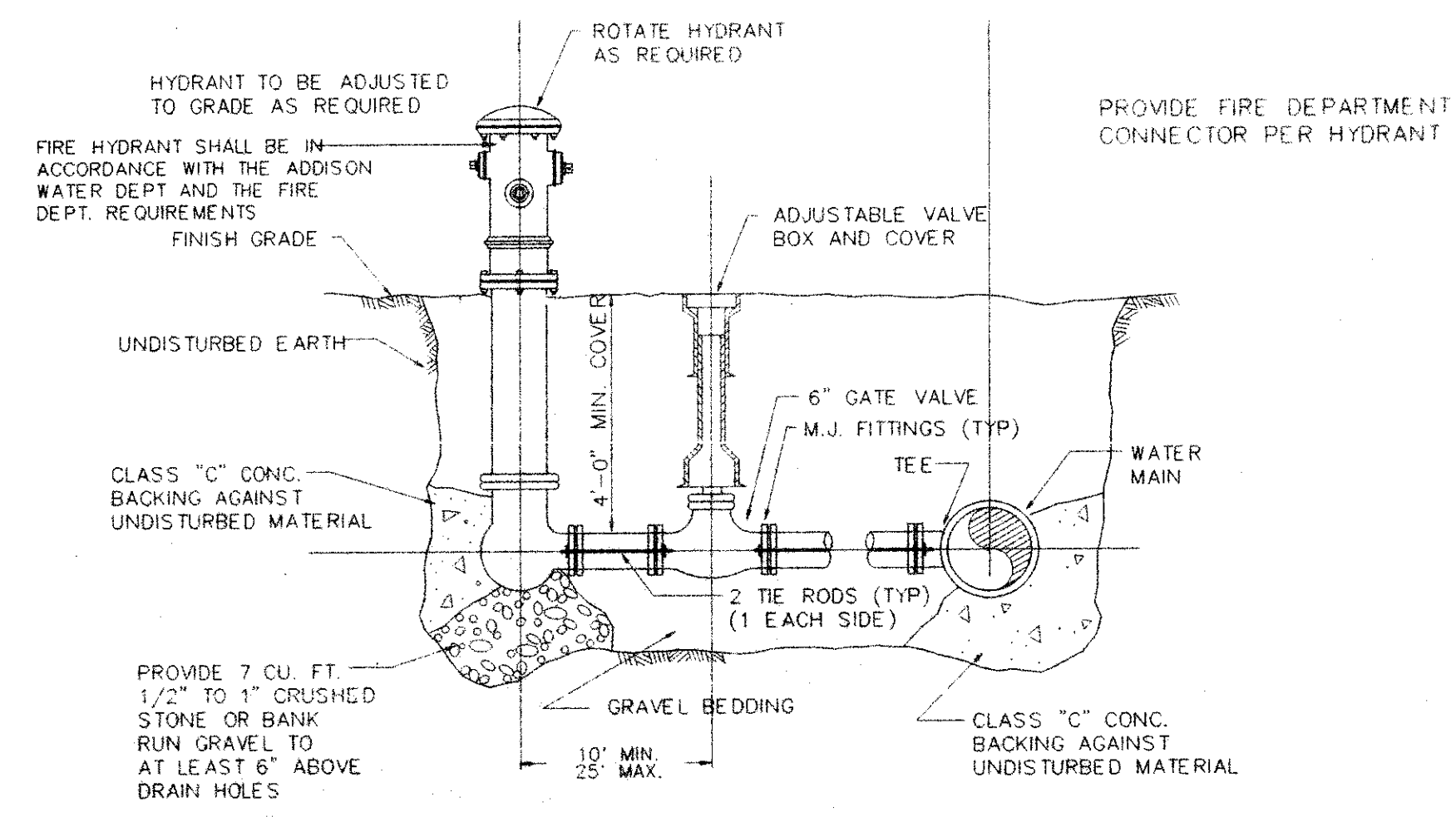


NOTE: CLEANOUT TO BE 4" DURA-COATED HEAVY DUTY WITH ROUND TOP & BRONZE PLUG "ZURN" Z-1400-HD OR APPROVED EQUAL

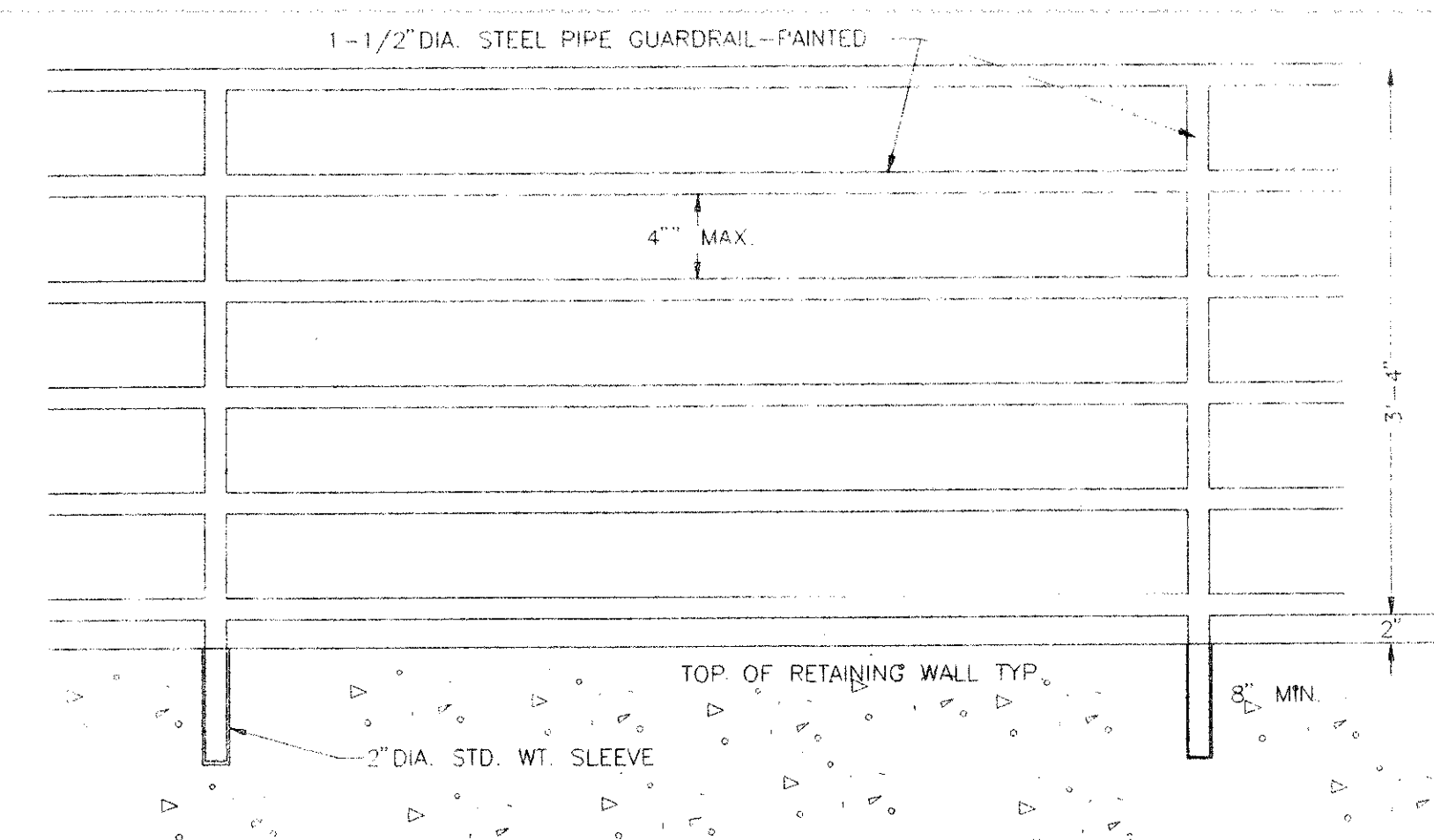
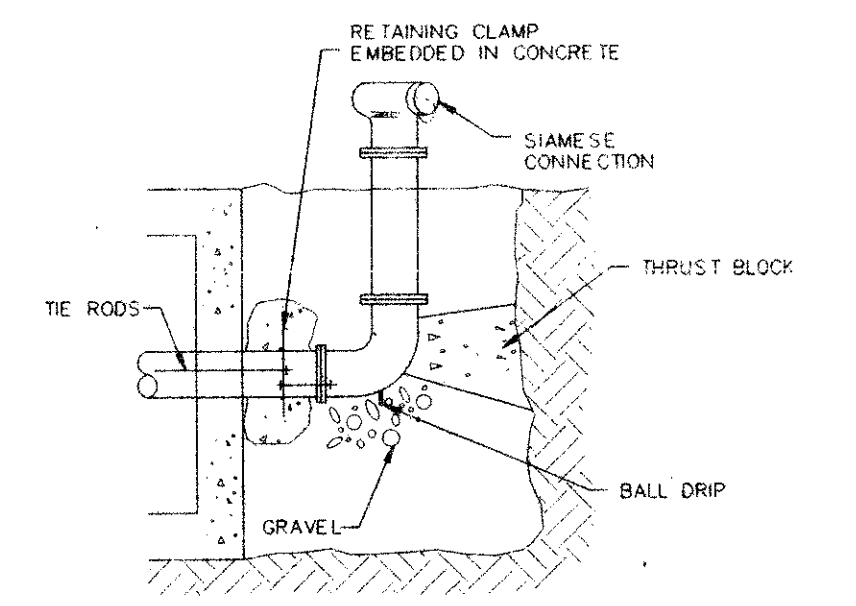
CLEANOUT
N.T.S.



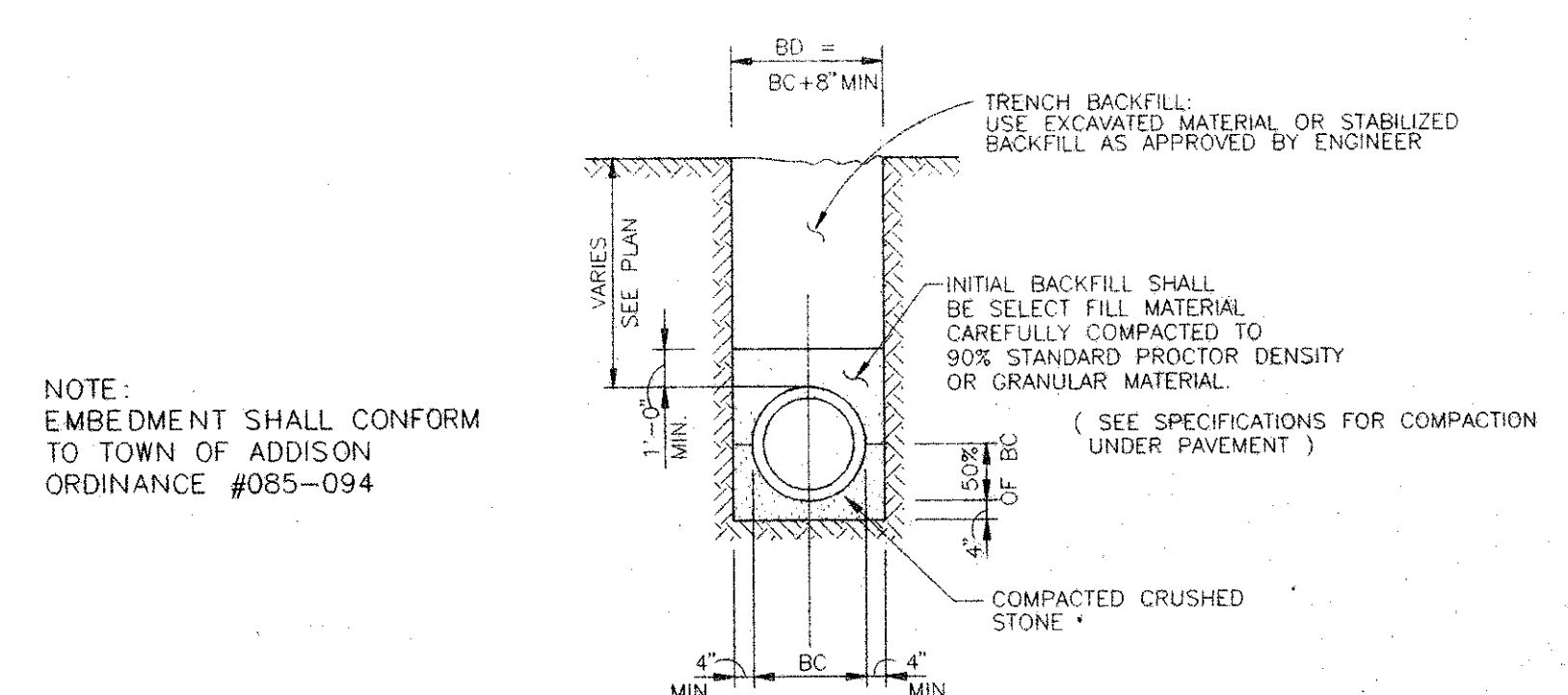
THRUST BLOCK DETAIL
N.T.S.



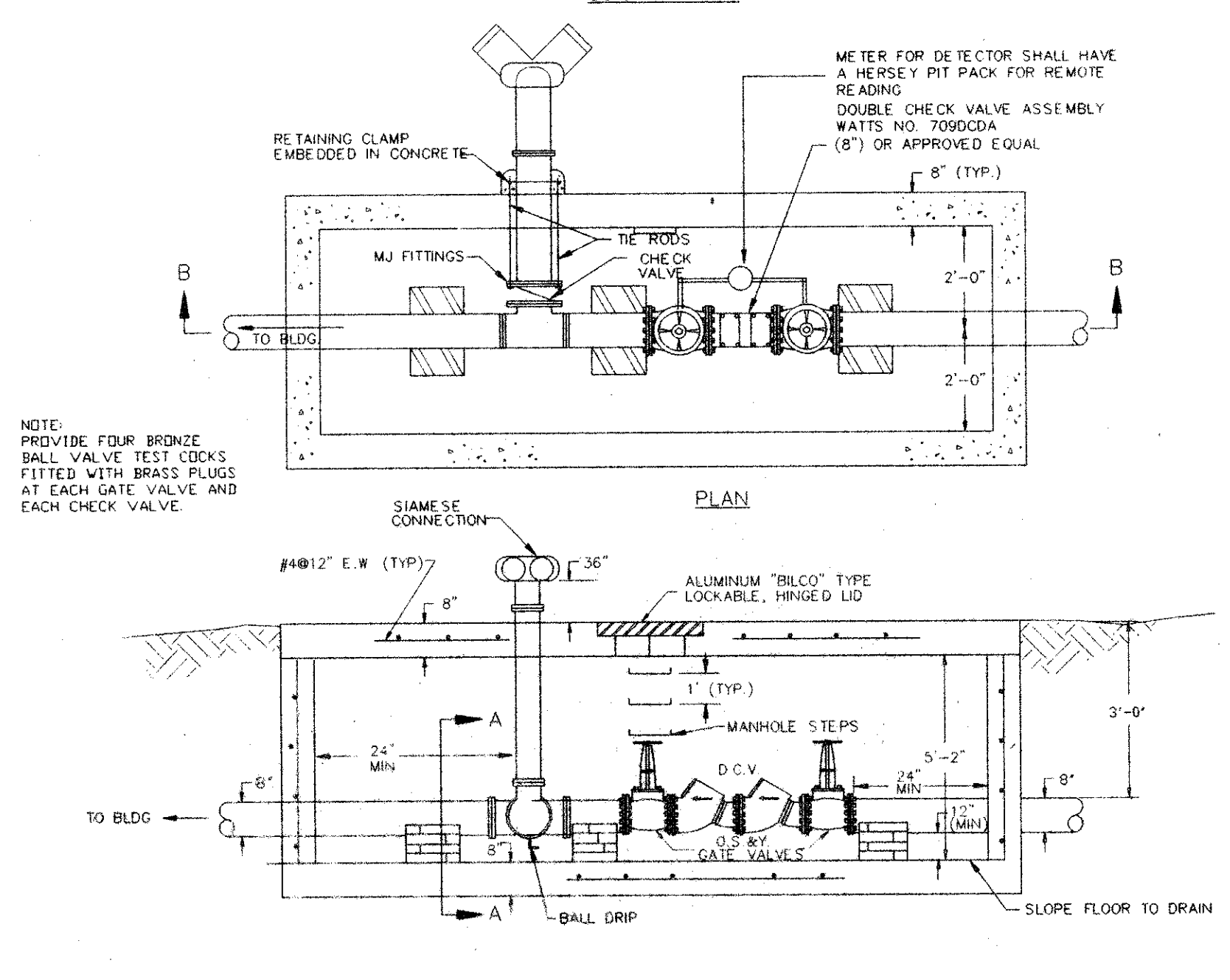
TYPICAL HYDRANT AND VALVE
N.T.S.



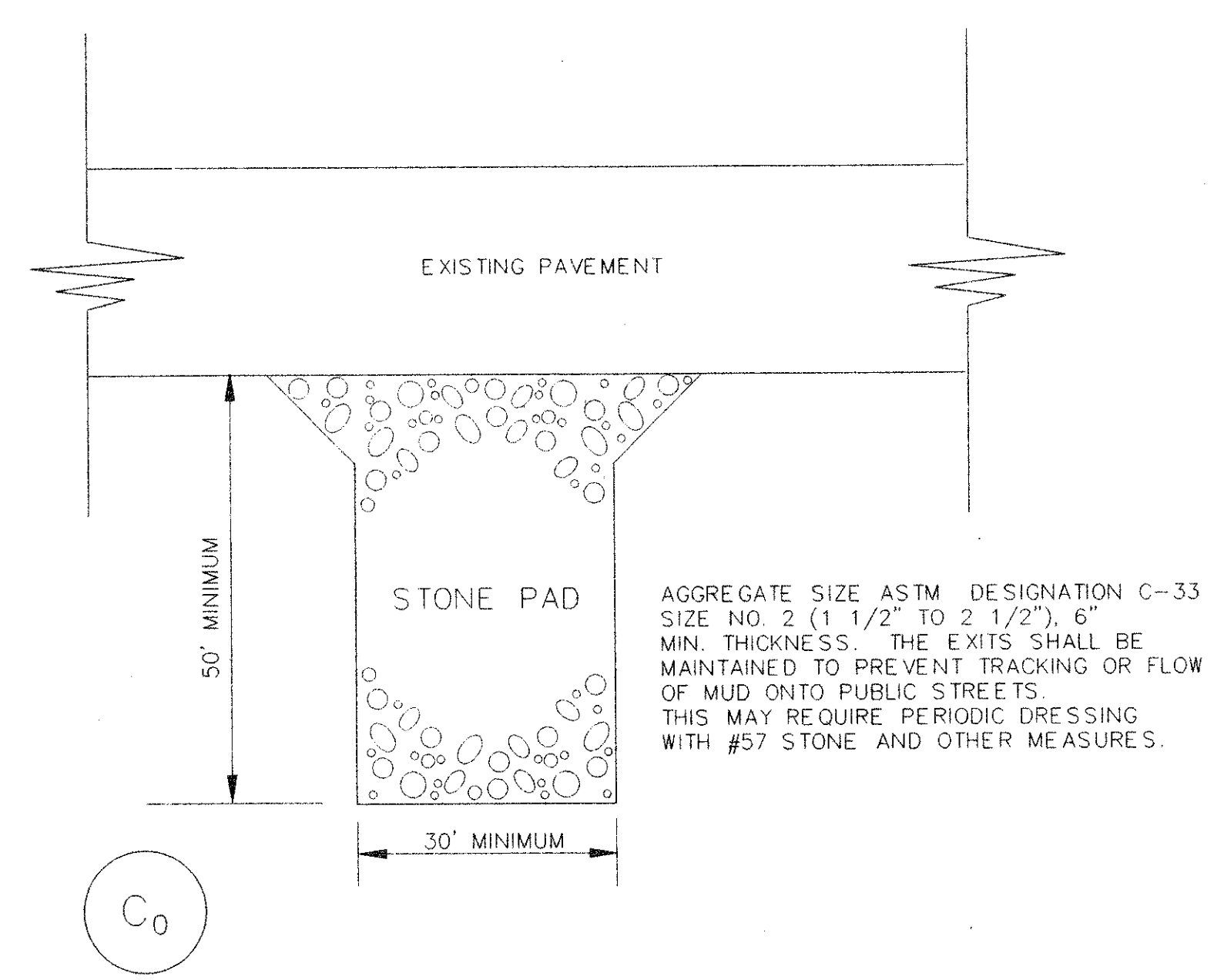
HAND RAIL DETAIL
N.T.S.



EMBEDMENT DETAIL FOR WATER & SANITARY SEWER MAIN
N.T.S.



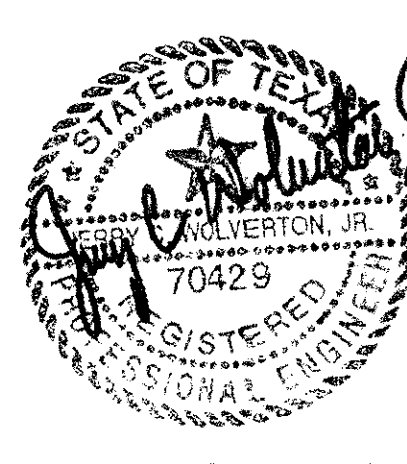
DOUBLE CHECK VALVE ASSEMBLY
N.T.S.



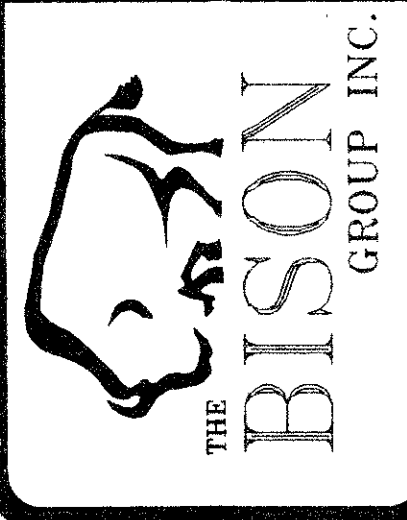
CONSTRUCTION ENTRANCE
N.T.S.

REVISIONS	BY

WOLVERTON & ASSOCIATES, INC.
6600 OAKBROOK PARKWAY / SUITE 100 / NORCROSS, GEORGIA 30063
770 447-8899 PHONE / 770 447-8070 FAX



PROPOSED MAIN POST OFFICE
ADDISON, TEXAS
UNITED STATES POSTAL SERVICE



DRAWN	JKK
CHECKED	JKK
DATE	01/18/97
SCALE	1" = 20'
JOB No.	96164
SHEET	

C-6