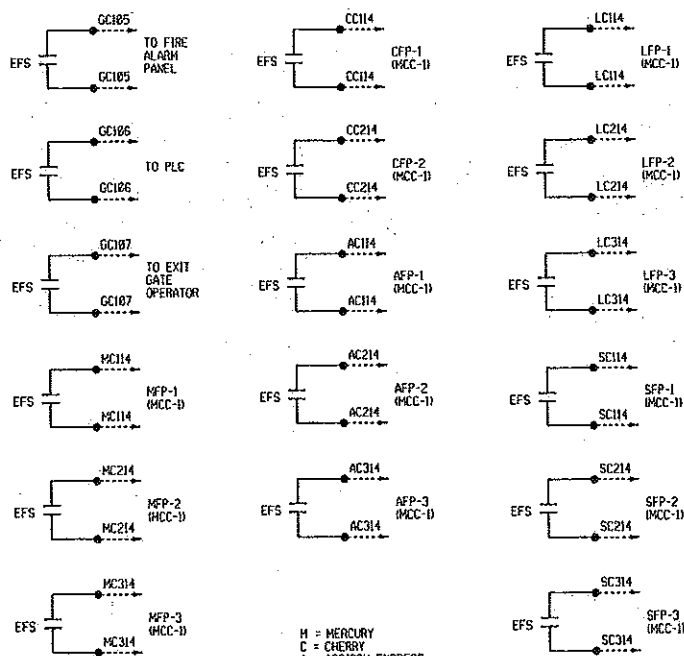
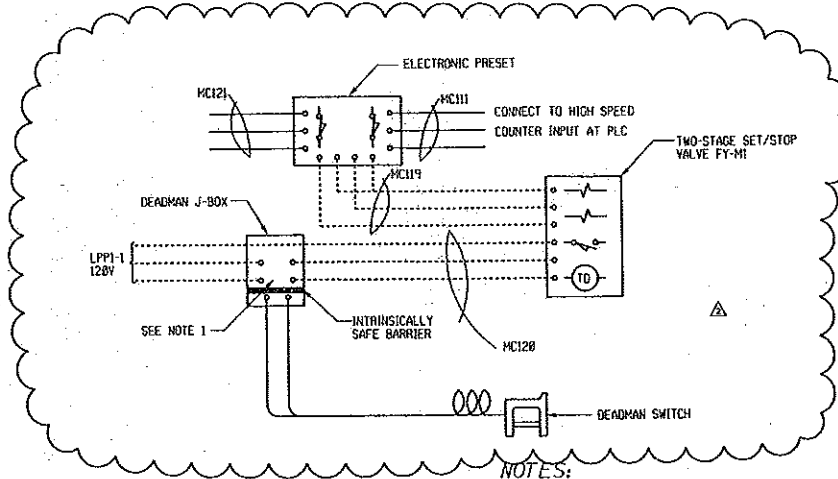


CONTROL DIAGRAM - EMERGENCY FUEL SHUTOFF SYSTEM

(LOCATED IN MCC-1)



NOTES:  
1. EXIT GATE SHALL OPEN ON EFS AND REMAIN OPEN UNTIL EFS RESET.



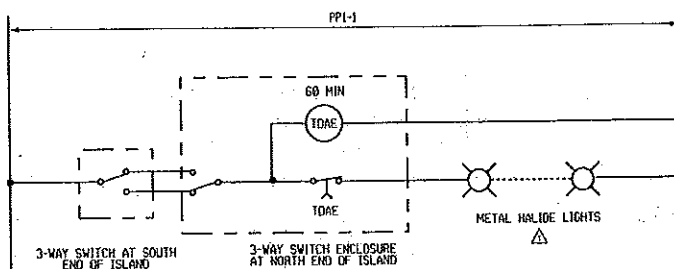
WIRING DIAGRAM - LOADING STATION - MERCURY TANK 1  
(TYPICAL MERCURY TANKS 2, 3)  
(SIMILAR EACH FBO)

SEE TABLE OF CORRESPONDING CIRCUIT NUMBERS, THIS SHEET

TABLE OF CORRESPONDING CIRCUIT AND DEVICE NUMBERS

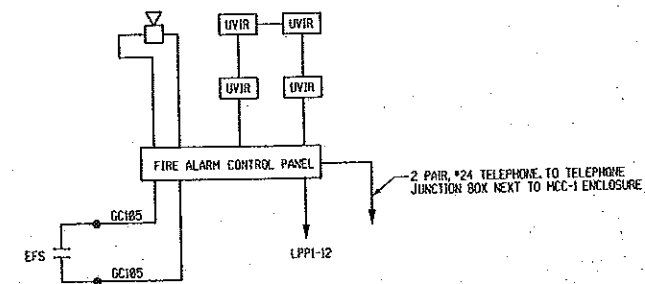
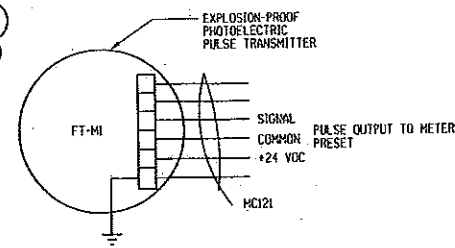
MERCURY		
TANK 1	TANK 2	TANK 3
LC114	LC114	LC114
LC214	LC214	LC214
LC314	LC314	LC314
SC114	SC114	SC114
SC214	SC214	SC214
SC314	SC314	SC314

DEVICE NUMBERS AND CIRCUIT NUMBERS SIMILAR EACH FBO:  
M = MERCURY  
C = CHERRY  
A = ADDISON EXPRESS  
L = MILLIONAIR  
S = STERN



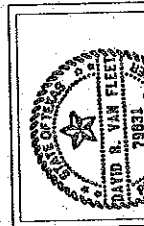
CONTROL DIAGRAM - UNDER CANOPY LIGHTING  
(BID ALTERNATE ITEM - CANOPY)

NOTES:  
1. PROVIDE TIMER TO SHUTOFF LIGHTS 1 HOUR AFTER ENERGIZATION.  
2. DIAGRAM IS TYPICAL FOR UNLOADING LIGHTS (PPI-1), LOADING LIGHTS (PPI-3) AND CATWALK LIGHTS (PPI-5).

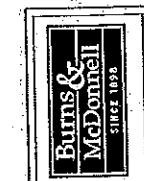


FIRE ALARM RISER DIAGRAM

NOTES:  
1. THE FIRE ALARM SYSTEM SHALL BE DESIGNED AND INSTALLED IN ACCORDANCE WITH NFPA 72 AND SPECIFICATION SECTION 16721. DEVICES ARE SHOWN IN SUGGESTED LOCATIONS ON FE-3. FINAL QUANTITY AND LAYOUT SHALL BE IN ACCORDANCE WITH APPLICABLE CODES, MANUFACTURER'S RECOMMENDATIONS AND EQUIPMENT LISTINGS.



ISSUED FOR BID  
STAGE OF PLANS  
ADD - FUEL  
27514-0002-00020  
DCB No. CHSD FILE NO.



Washington Group International  
Engineering, Construction, and Management Solutions

BULK FUEL STORAGE AND DISPENSING SYSTEM  
WIRING DIAGRAMS - 2