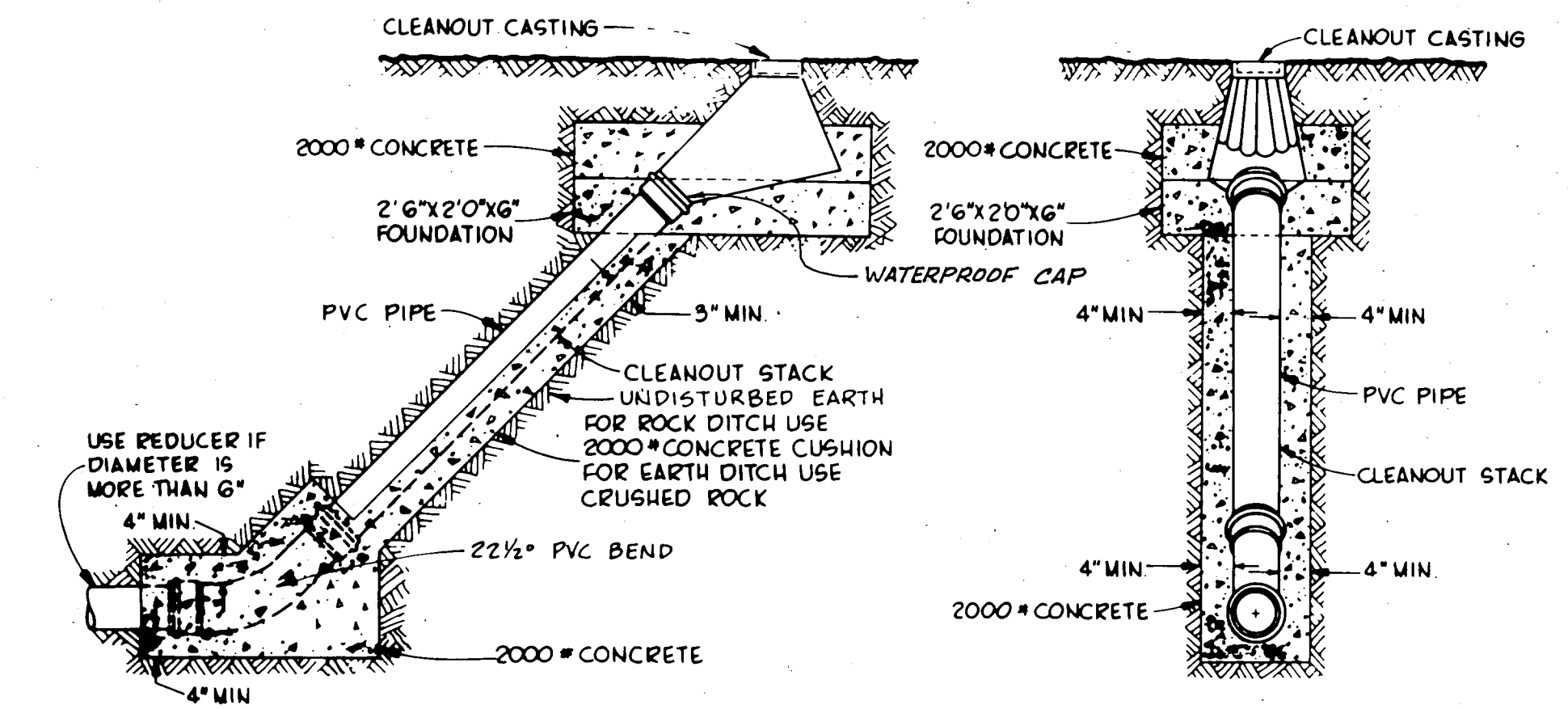


STANDARD CLEANOUT DETAIL USING PVC PIPE

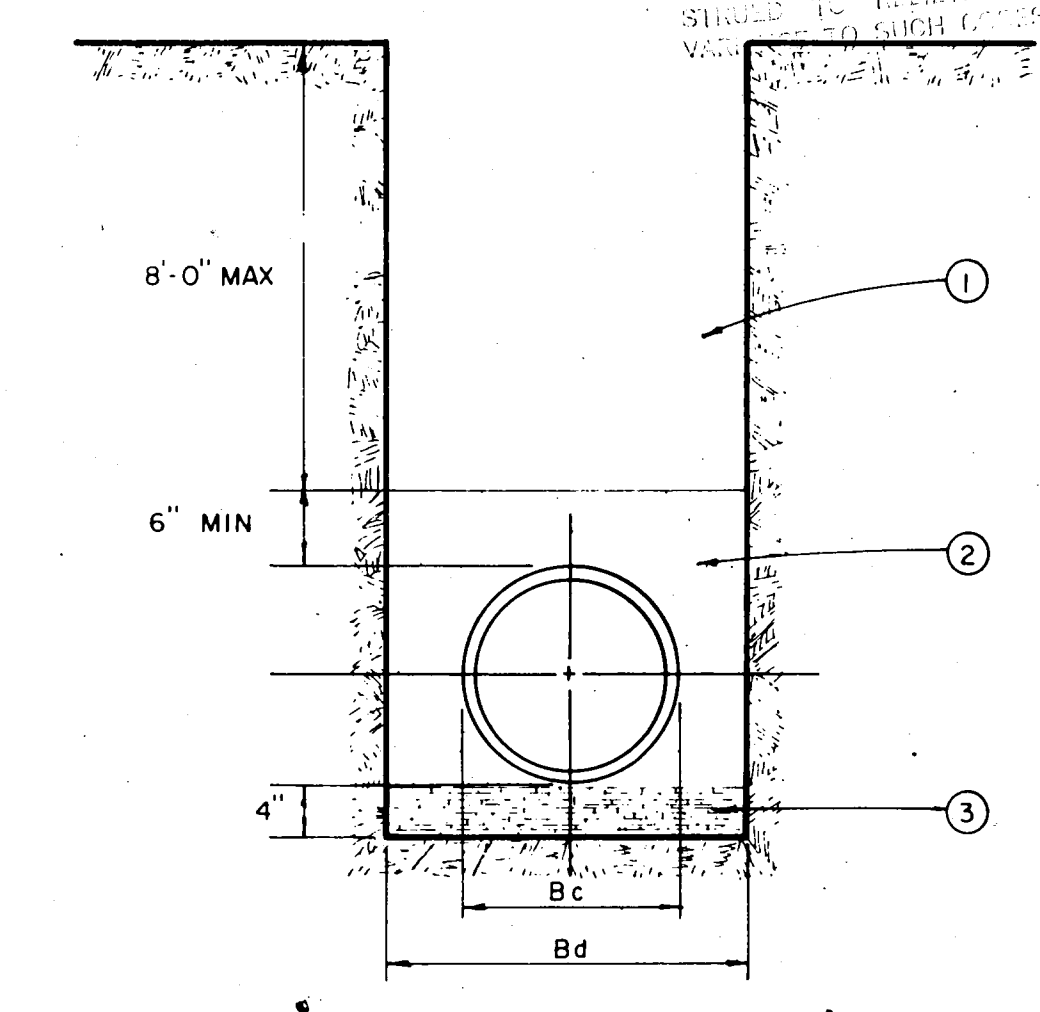


CITY OF ADDISON
APPROVED
FOR CONSTRUCTION
BUILDING DEPARTMENT

NOTE: CONTRACTOR IS HEREBY INSTRUCTED TO EXERCISE CARE IN INSTALLING OR REPAIRING ALL REQUIREMENTS OF BOTH NATIONAL AND LOCAL CODES AND/OR ORDINANCES APPLICABLE TO HIS WORK. APPROVAL OF THESE DRAWINGS SHALL NOT BE CONSIDERED TO BE EITHER RESPONSIBILITY OR LIABILITY OF THE ENGINEER FOR SUCH COSTS.

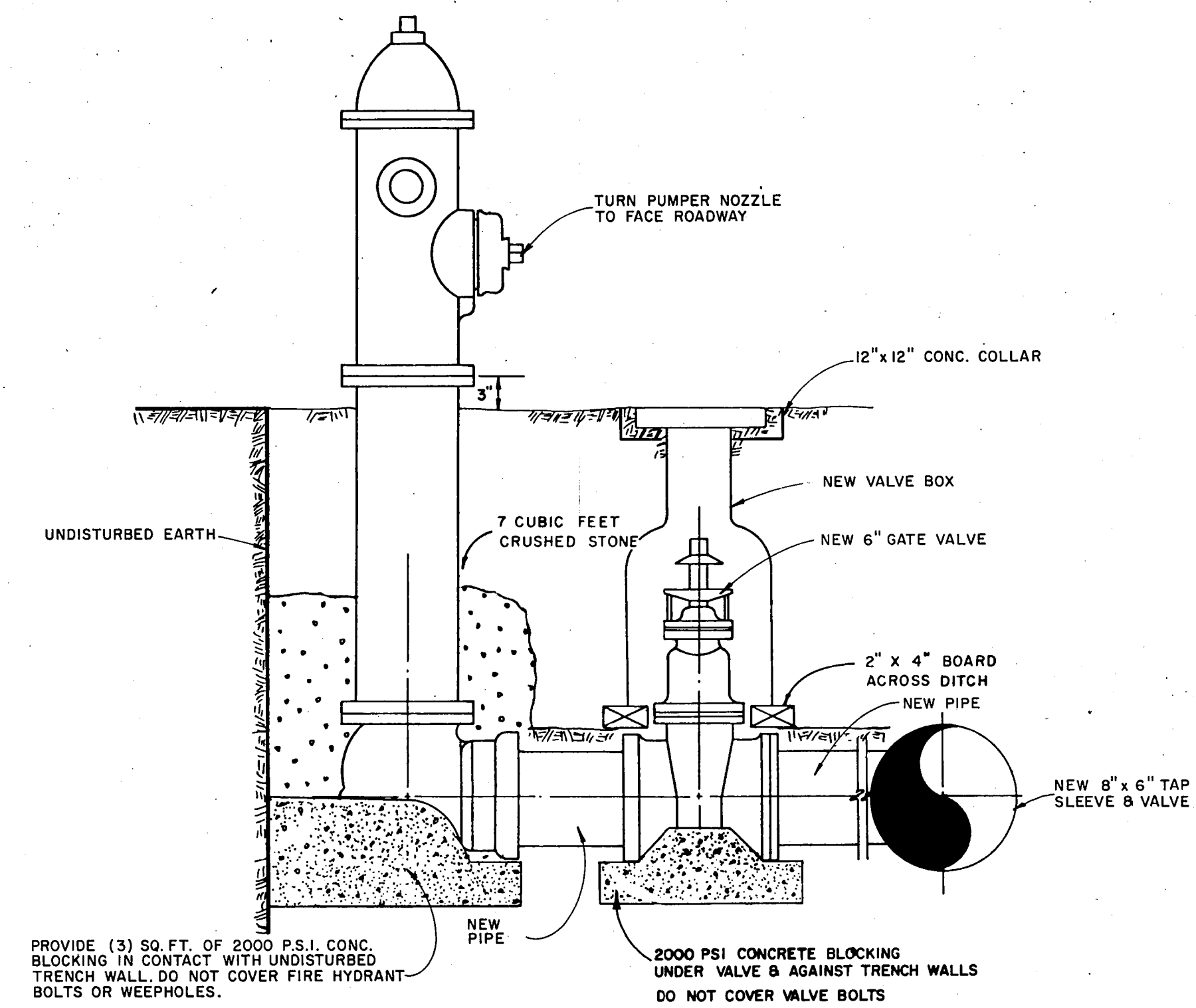
EMBEDMENT MATERIALS

- ① MATERIAL EXCAVATED FROM TRENCH - MAX. SIZE OF ROCKS, CLODS LUMPS, ETC. LIMITED TO 6" IN GREATEST DIMENSION. COMPACT BY WATER JETTING.
- ② GRANULAR MATERIAL (FREEFLOW SAND) - SEE SPECIFICATION SECTION 0221. MATERIAL TO BE FREE OF ROCKS, CLODS, LUMPS AND ORGANIC MATERIAL. CAREFULLY SPADE MATERIAL IN PLACE AND COMPACT BY JETTING WITH WATER.
- ③ GRANULAR MATERIAL (FREEFLOW SAND) - SEE SPECIFICATION SECTION 0221. MATERIAL TO BE FREE OF ROCKS, CLODS, LUMPS AND ORGANIC MATERIAL. GRADE TO UNIFORMLY SUPPORT BARREL OF PIPE. EXCAVATE DEPRESSION FOR EACH BELL. LIGHTLY TAMP TO CONSOLIDATE MATERIAL.
- ④ CRUSHED STONE - STANDARD GRADATION, SEE SPECIFICATION SECTION 0221.
- ⑤ IN ROCK TRENCHES THE MINIMUM UNDERCUT WILL BE 6" EXCEPT WHERE CONCRETE IS TO BE USED.



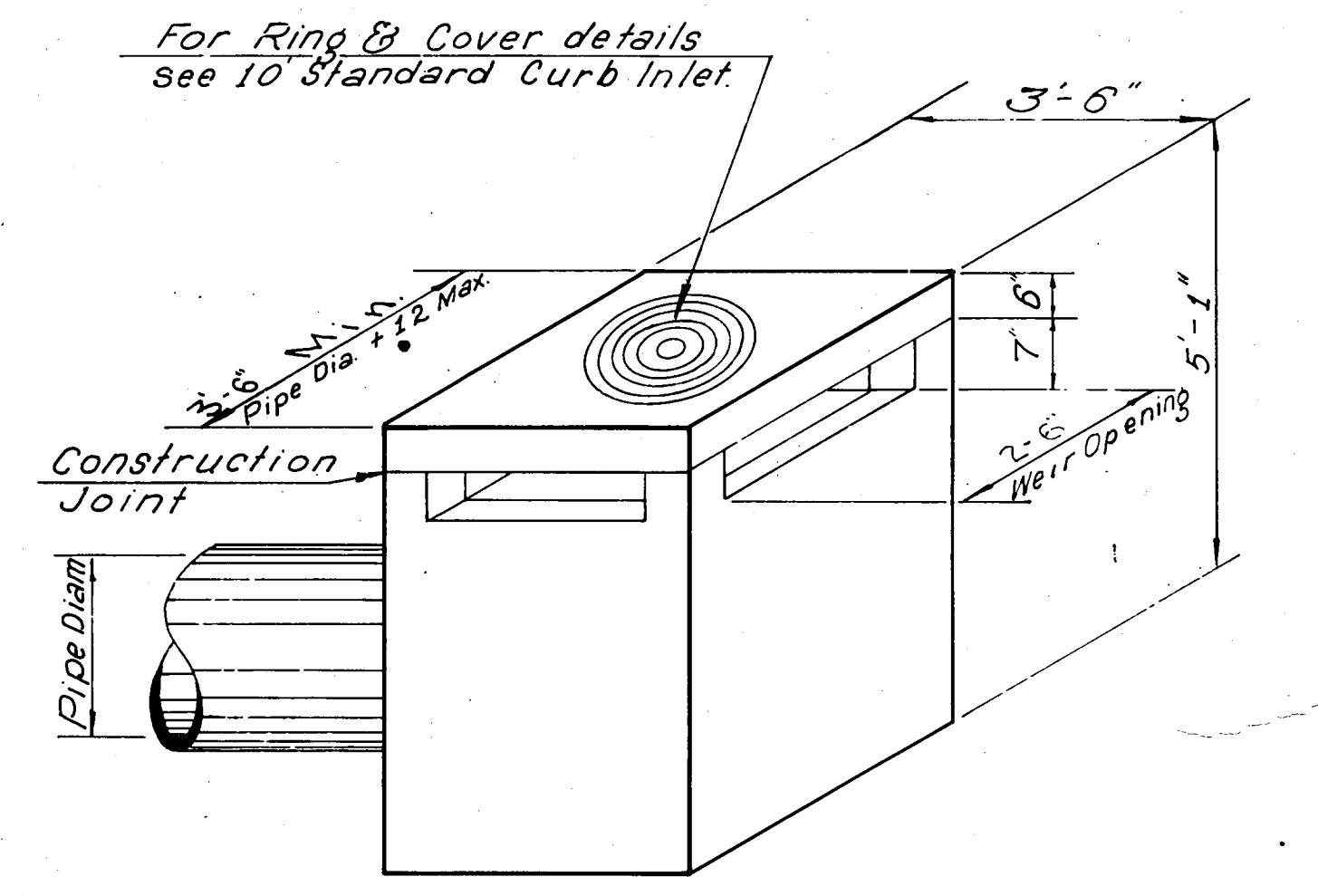
CLASS D-1 EMBEDMENT

Bedding Angle = 30°
Load Factor = 1.3
E' = 200
NOT A SEPARATE PAY ITEM



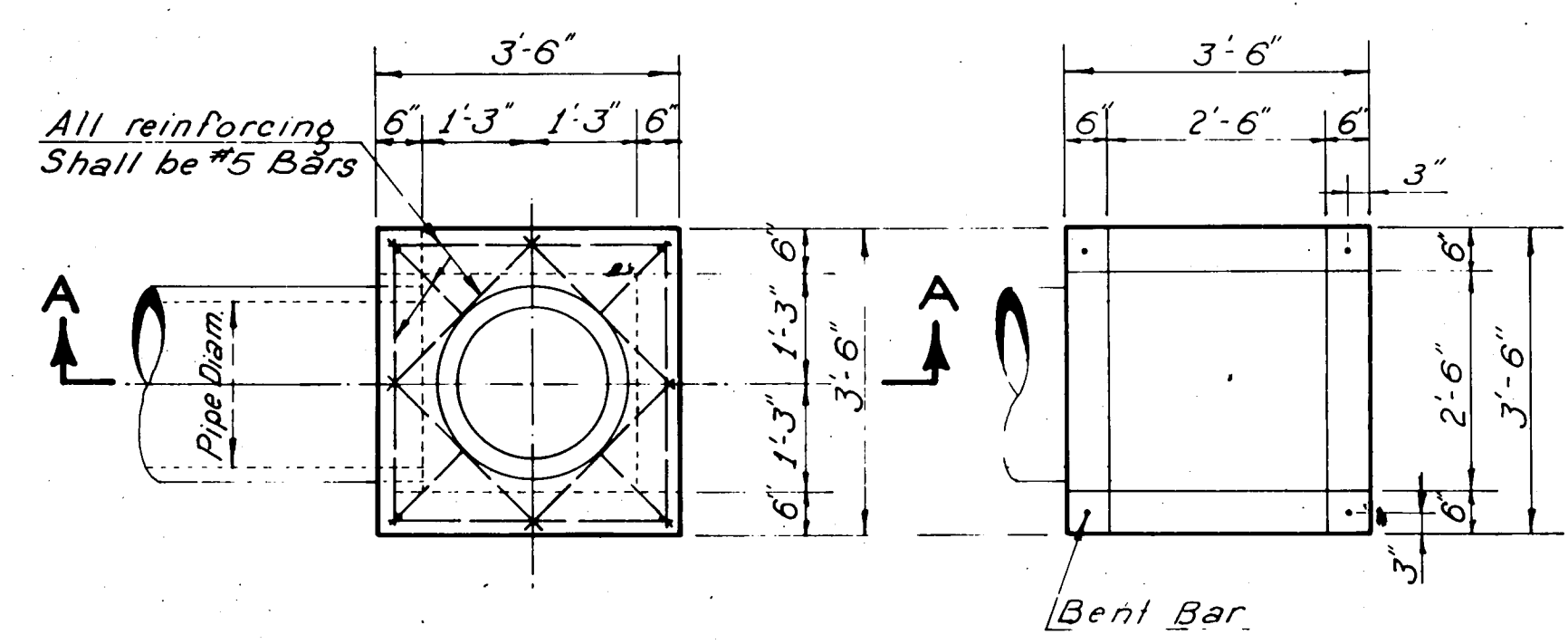
FIRE HYDRANT DETAIL

PROVIDE (3) SQ. FT. OF 2000 P.S.I. CONC. BLOCKING IN CONTACT WITH UNDISTURBED TRENCH WALL. DO NOT COVER FIRE HYDRANT BOLTS OR WEEPHOLES.
DO NOT COVER VALVE BOLTS



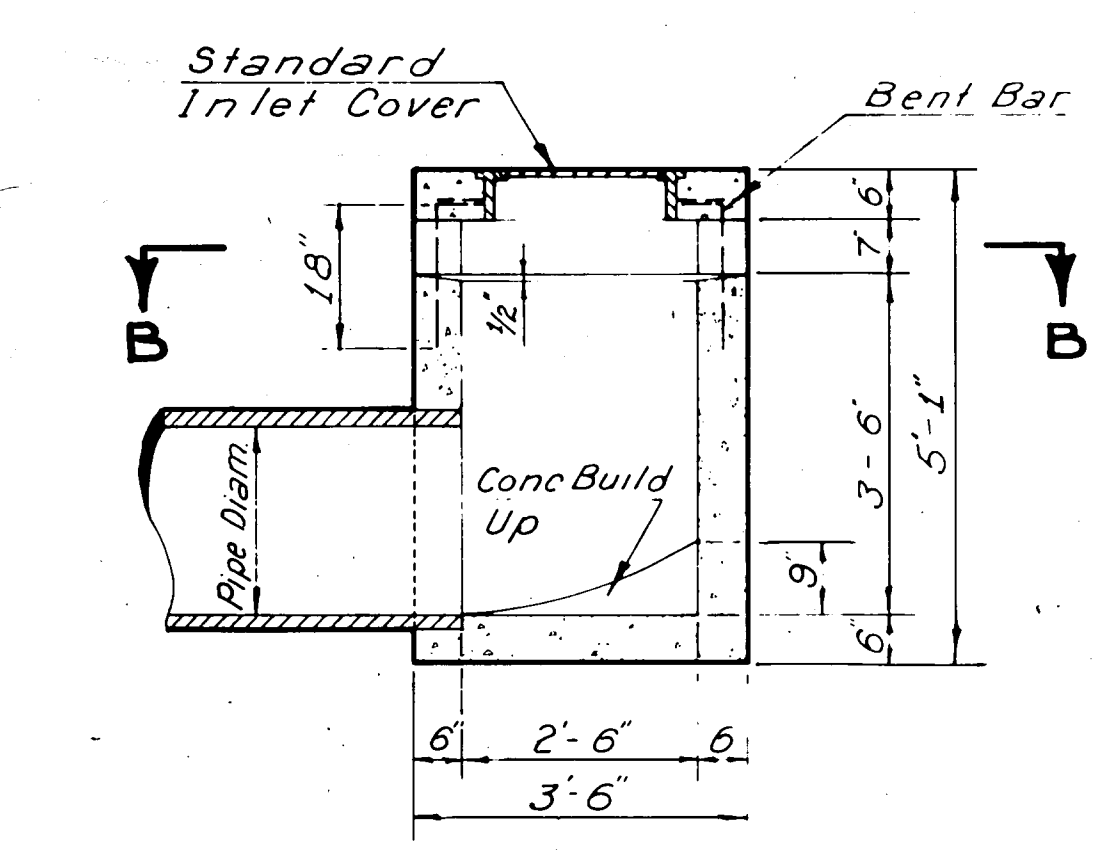
NOTE:
Type "X" Inlet - Weir opening are required on four sides.
Type "Y" Inlet - Weir opening are required on two opposite sides.

ISOMETRIC DETAIL



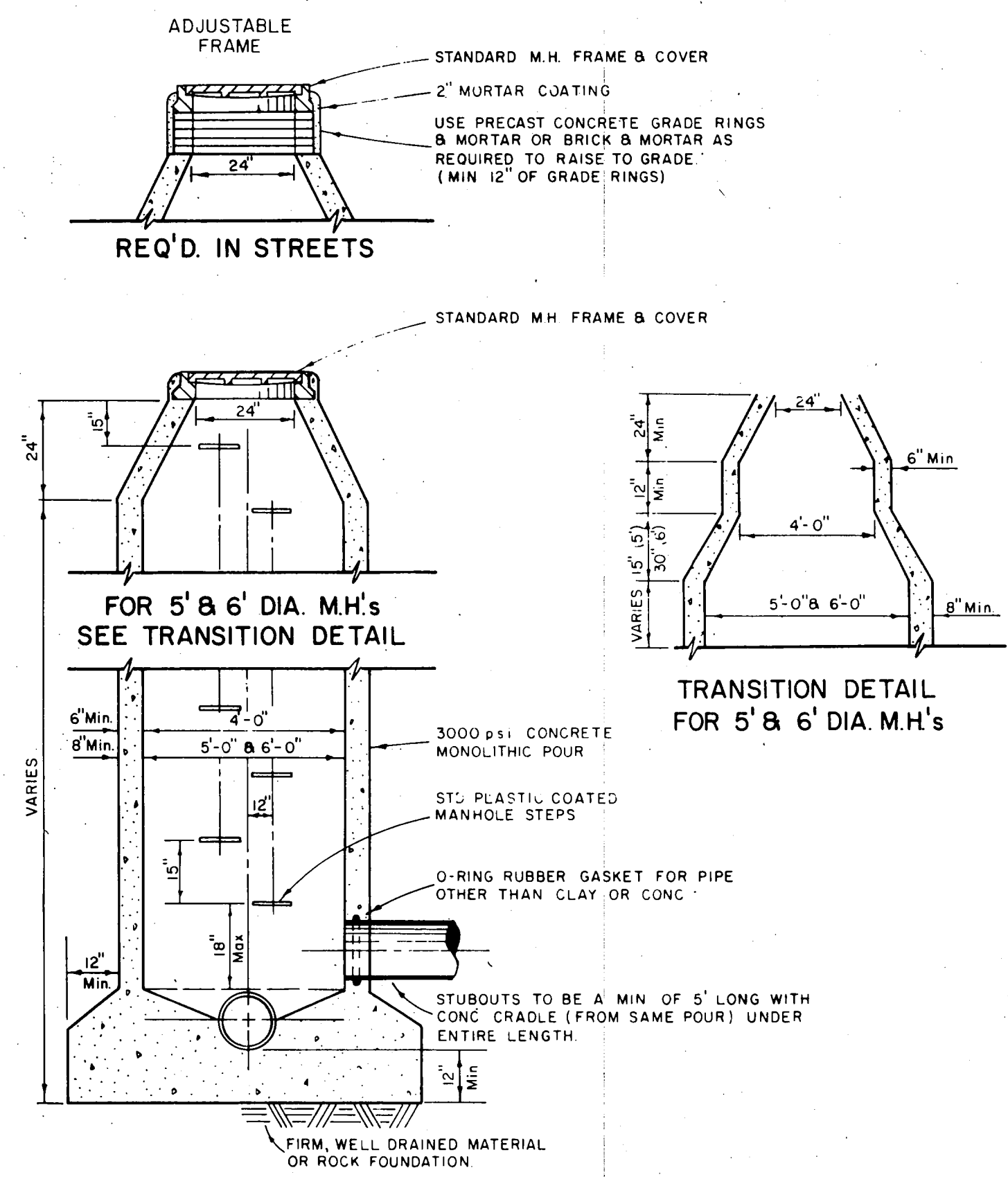
PLAN

SECTION B-B



SECTION A-A

STANDARD TYPE "X" & "Y" INLETS
SCALE: 1/2" = 1'-0"



STANDARD CAST-IN-PLACE MANHOLE

UTILITY DETAILS	
INLET DETAIL	
NORTH 40 - PHASE II	
ADDISON MUNICIPAL AIRPORT	
Riewe & Wischmeyer, Inc. CONSULTING ENGINEERS DALLAS, TEXAS	DESIGNED T.K. DRAWN R.W.C. DATE SEPT. 1992
JOB NO. 81-3600	SCALE NO SCALE
SHEET NO 8 OF 8	

