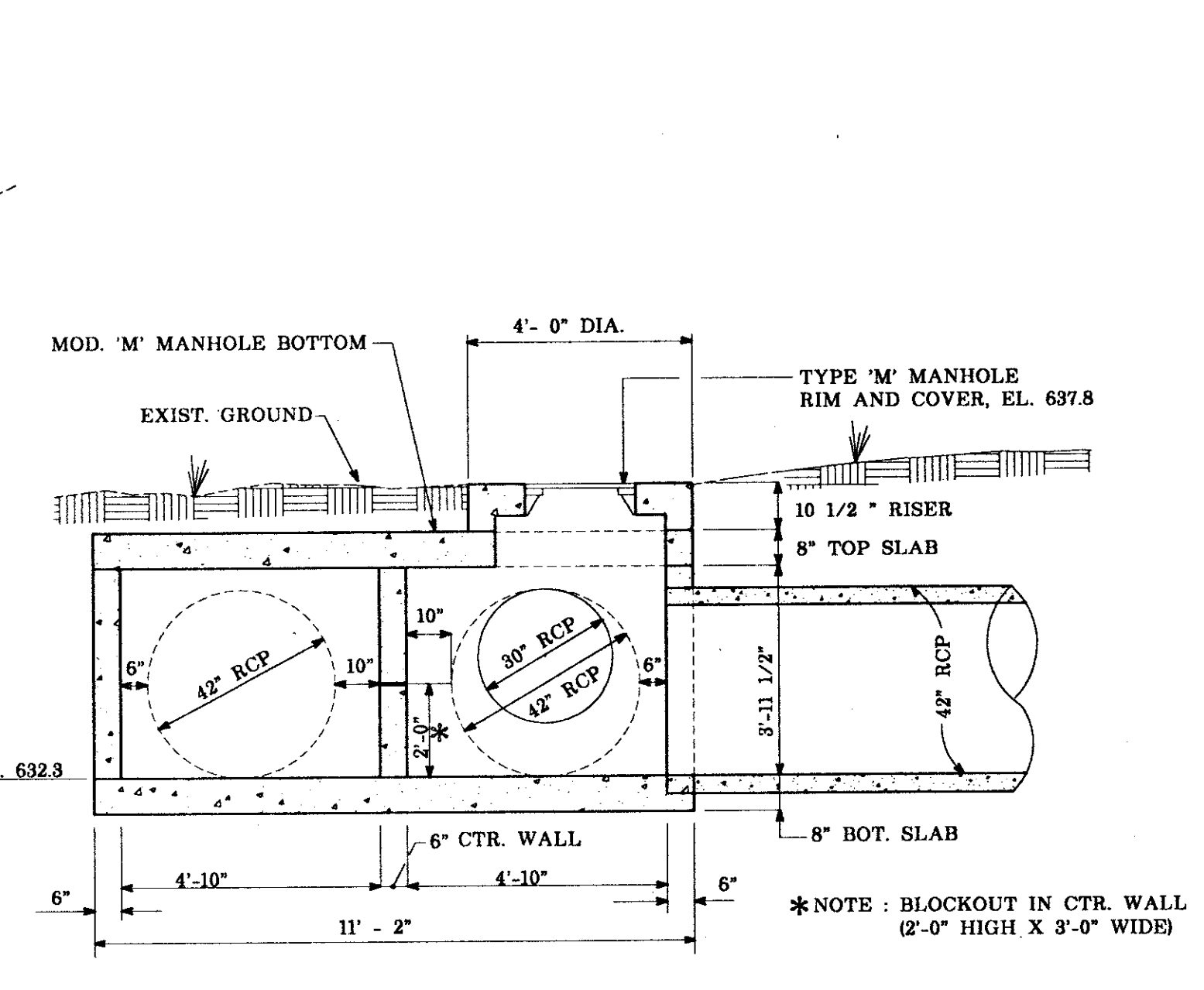
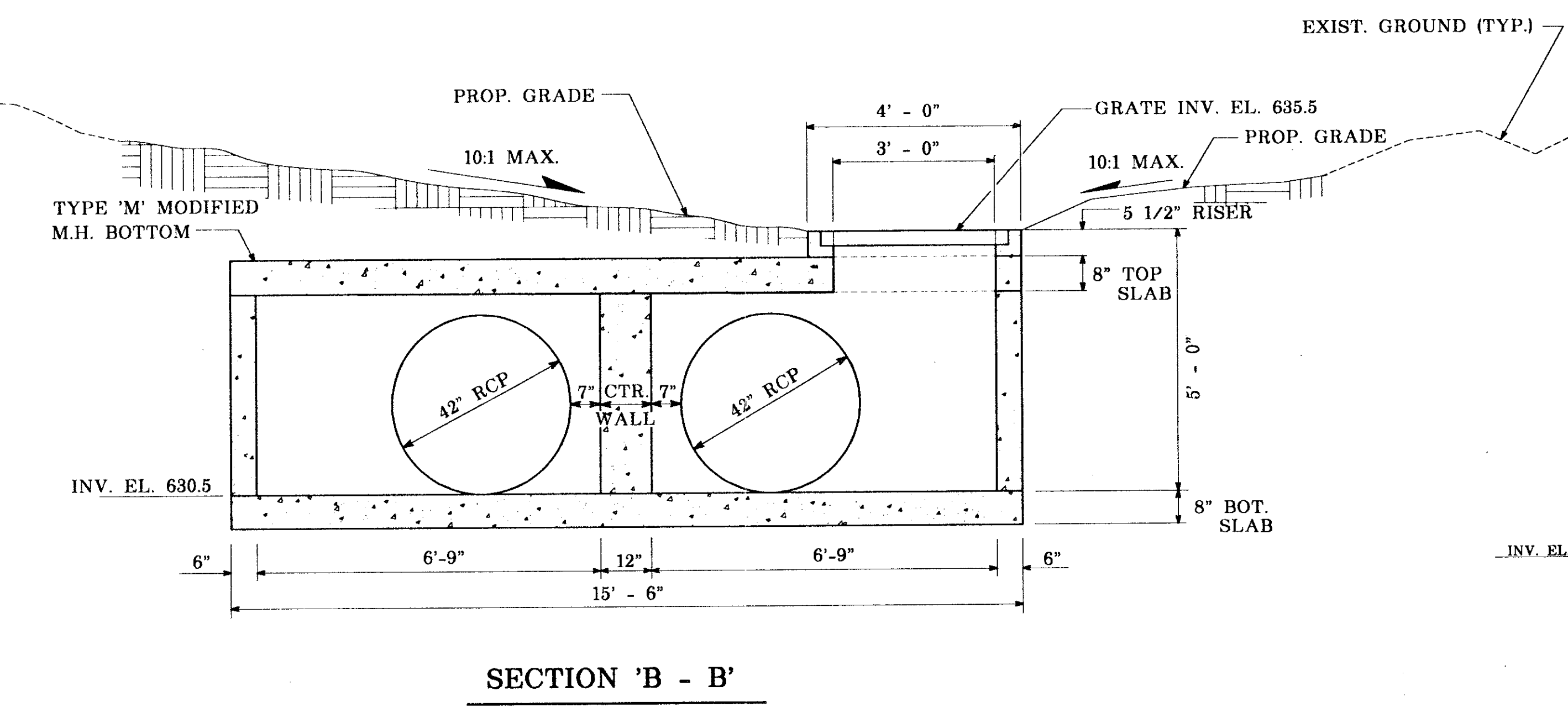
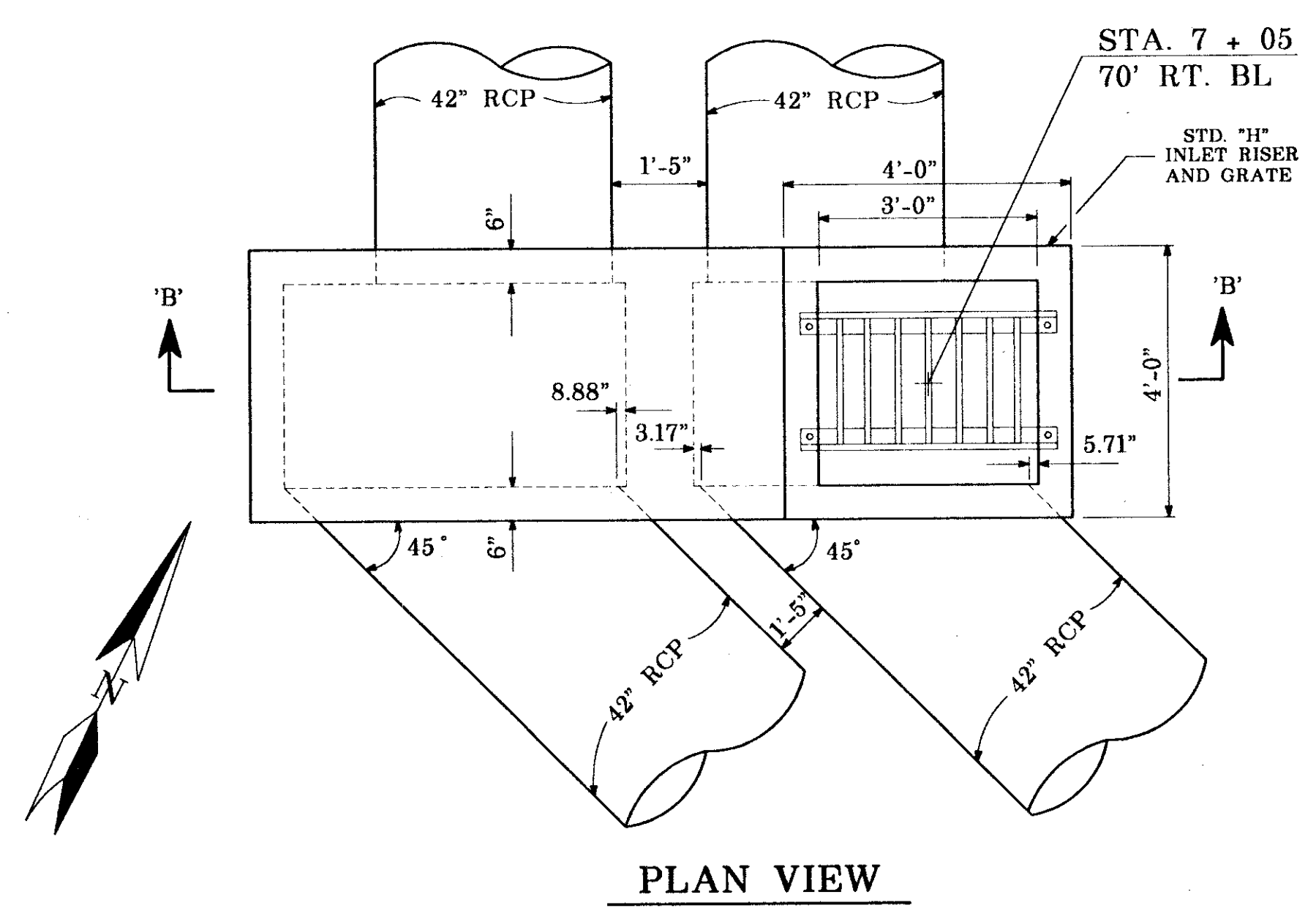


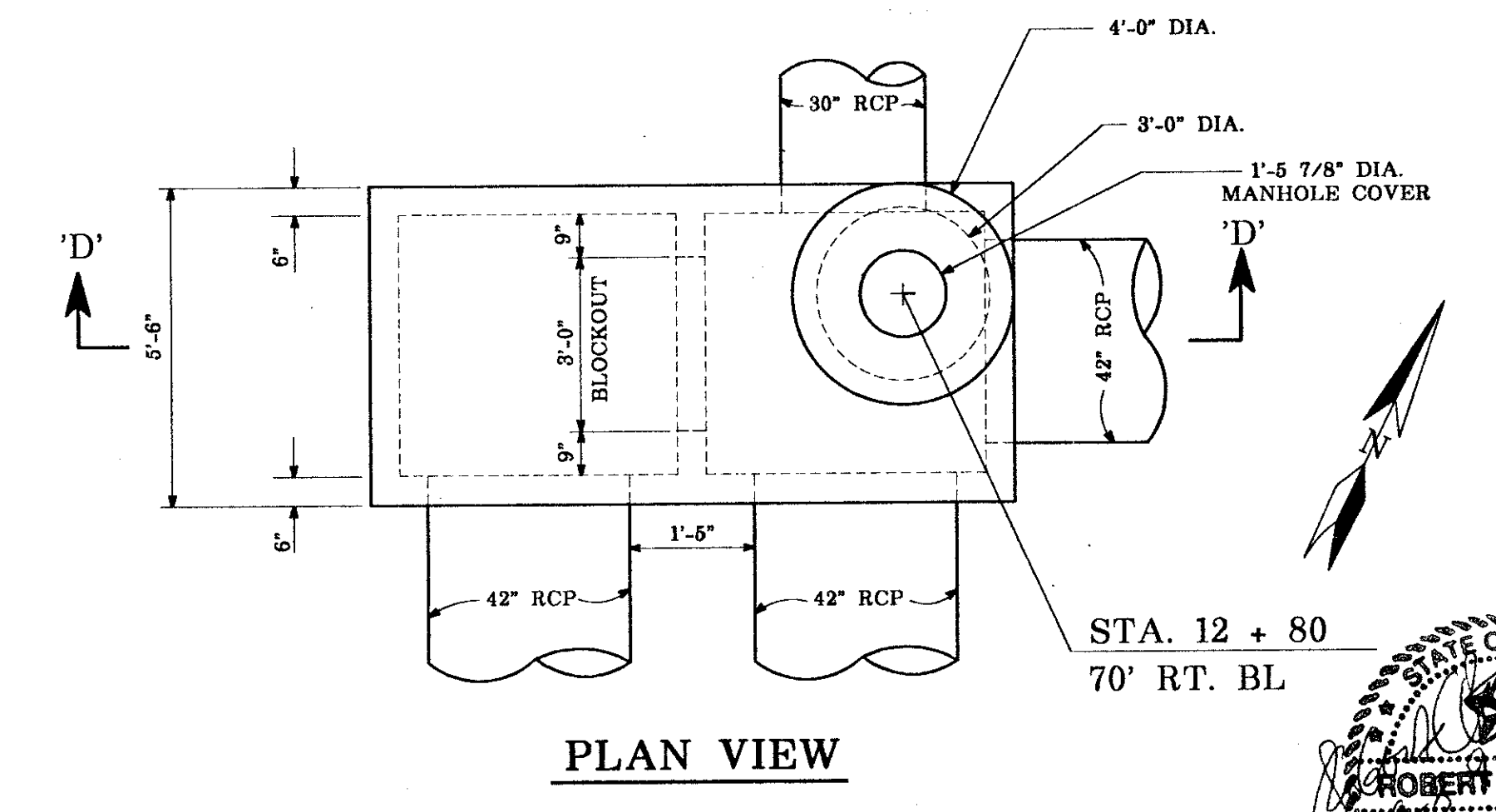
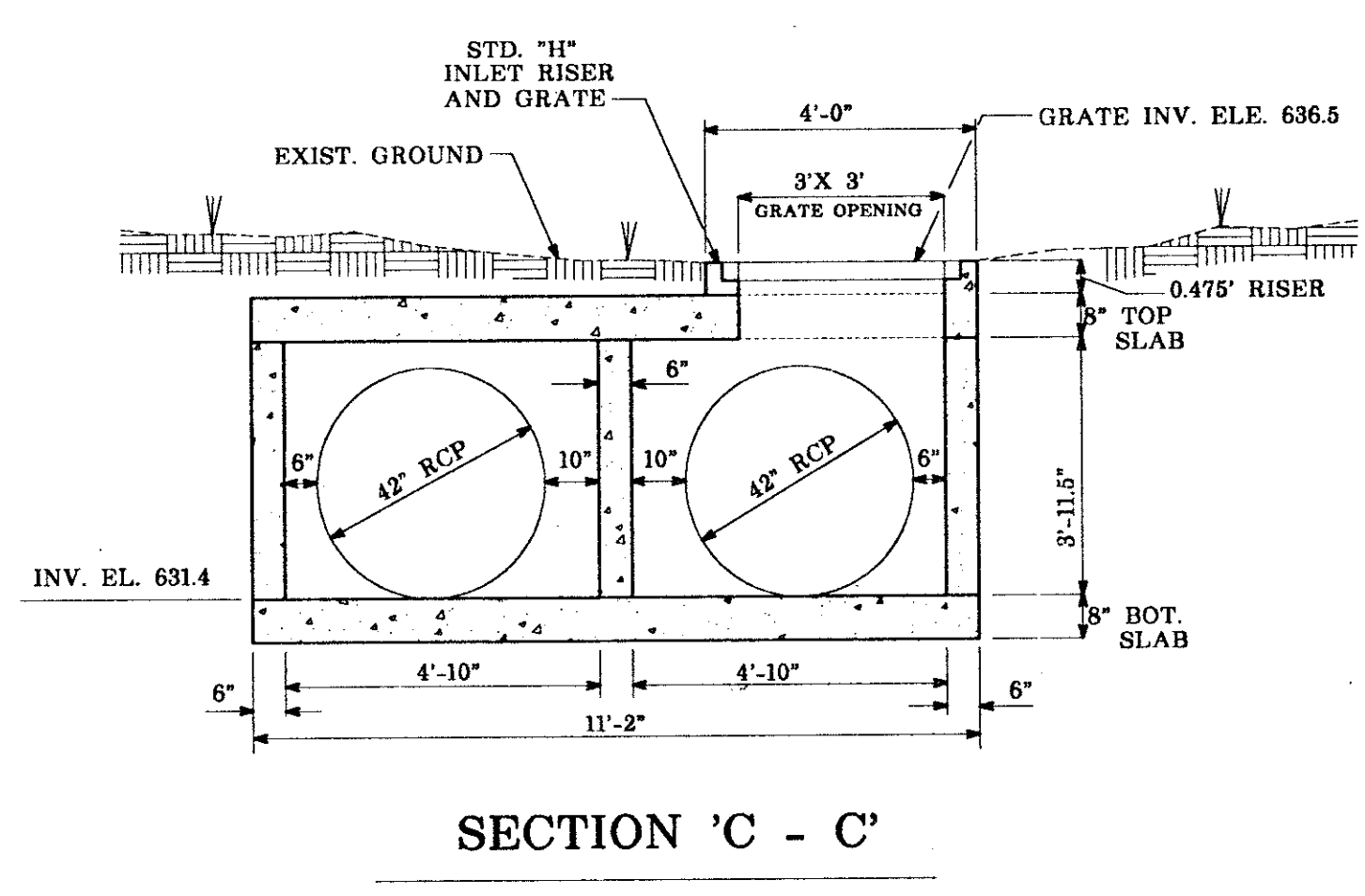
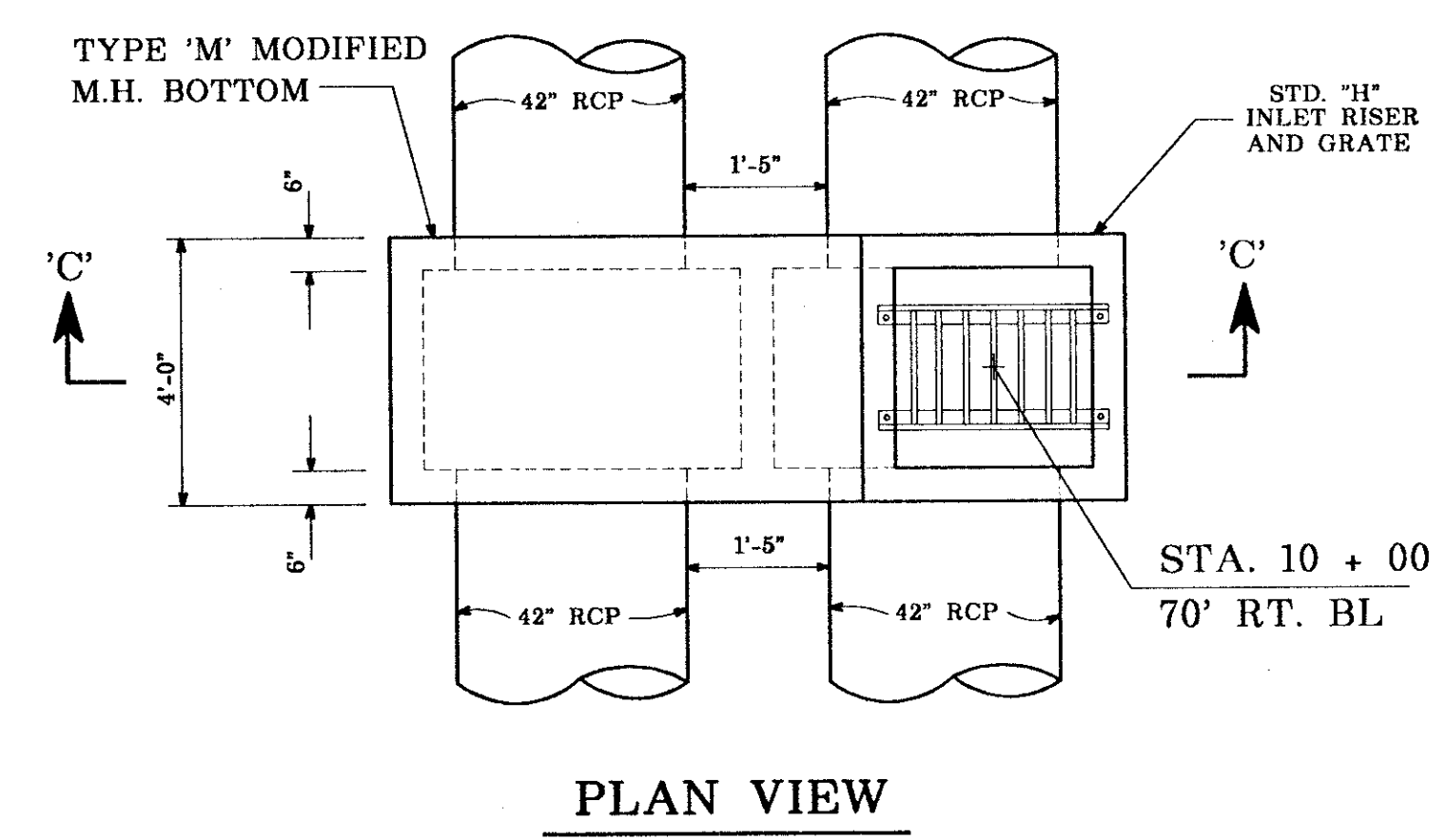
STRUCTURE S-1 DETAILS (TYPE 'H' INLET W/ TYPE 'M' MOD. M. H. BOT.)

N.T.S.



STRUCTURE S-2 DETAILS (TYPE 'H' INLET W/ TYPE 'M' MOD. M. H. BOT.)

N.T.S.



STRUCTURE S-3 DETAILS (TYPE 'H' INLET W/ TYPE 'M' MOD. M. H. BOT.)

STRUCTURE S-3A DETAIL (TYPE 'M' MODIFIED M.H.)

N.T.S.

DESIGN: R.C.R.	A.I.P. NO: 3-48-0063-03-91	Date	Revisions	By
DRAWN: M.J.C.	S.P. NO:			
CHECKED: D.W.P.	JOB NO: Y8024.22			
SCALE: AS NOTED				

**Greiner**  
Greiner, Inc.  
Fort Worth, Texas

Engineers, Architects  
and Planners



**ADDISON AIRPORT**

**DRAINAGE IMPROVEMENTS**  
DRAINAGE STRUCTURES S-1, S-2, S-3 AND S-3A

