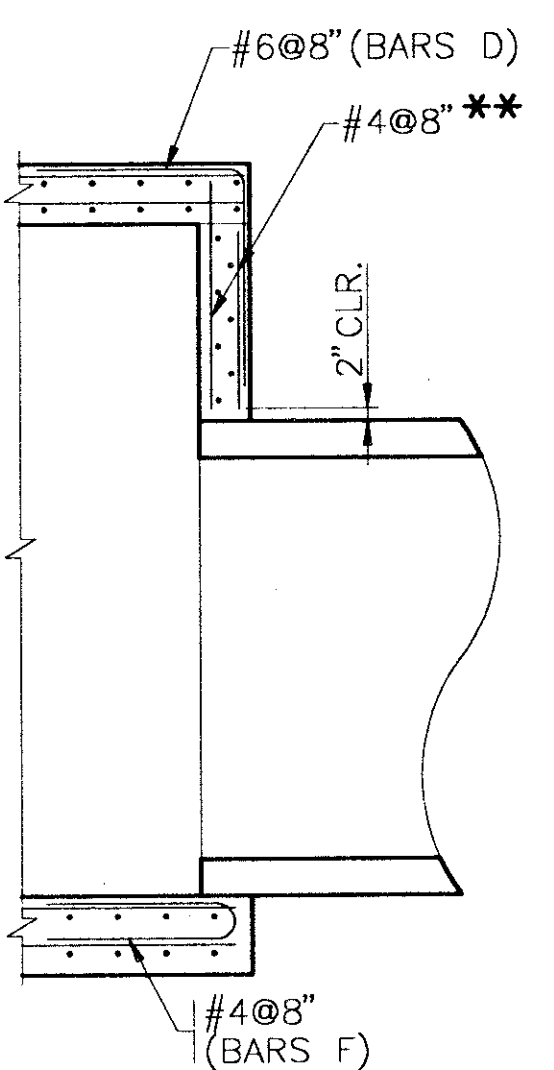
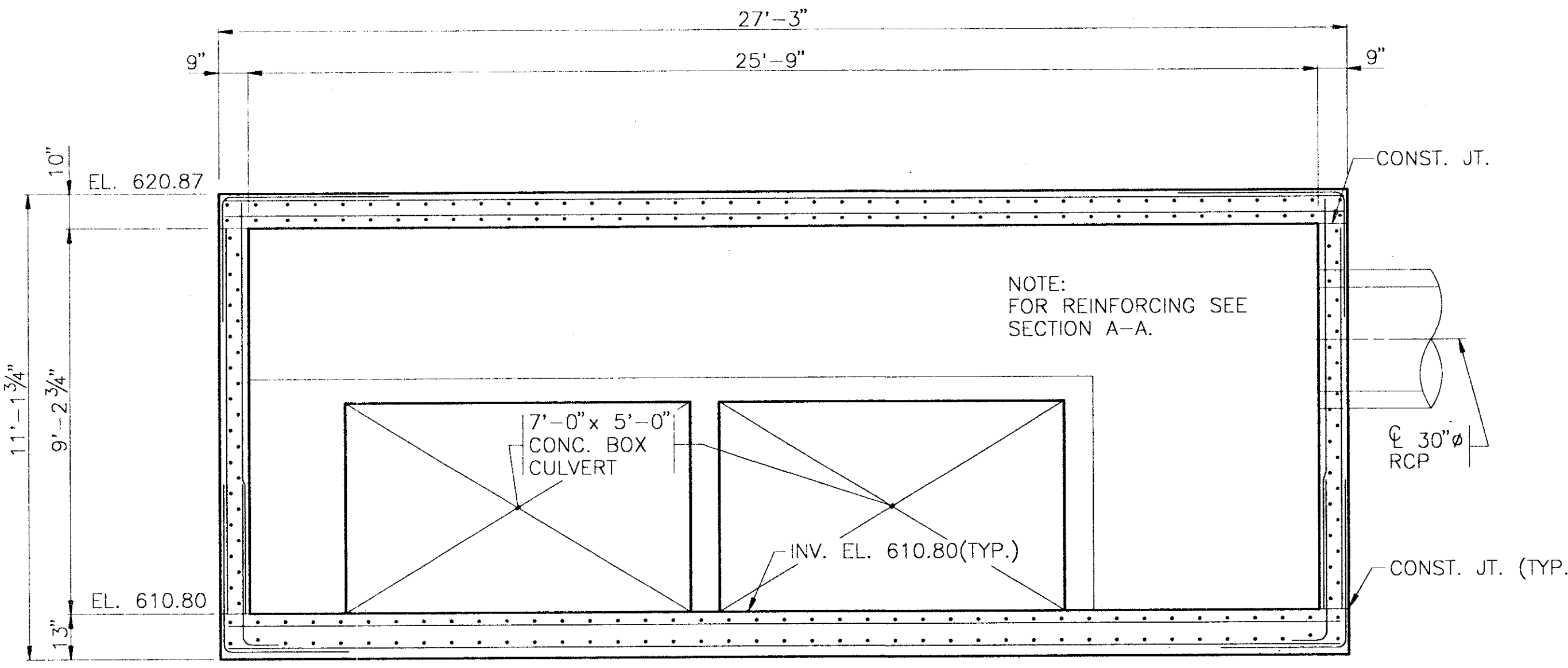
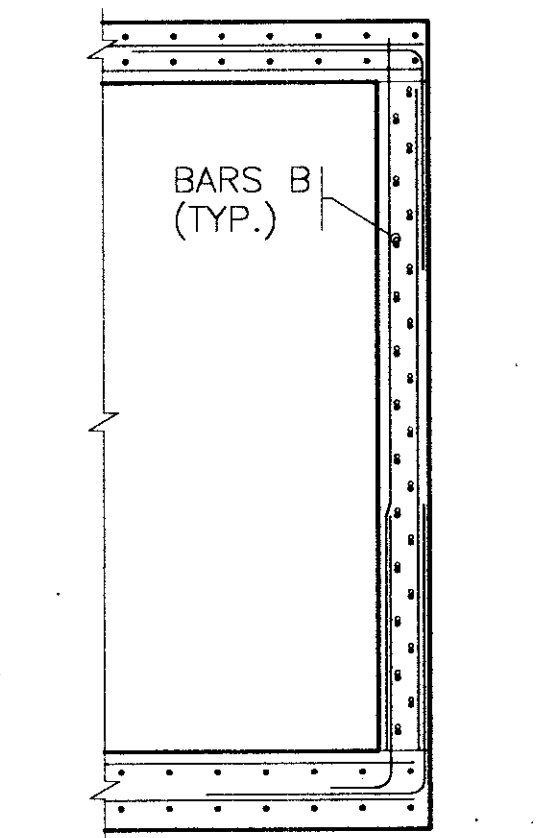
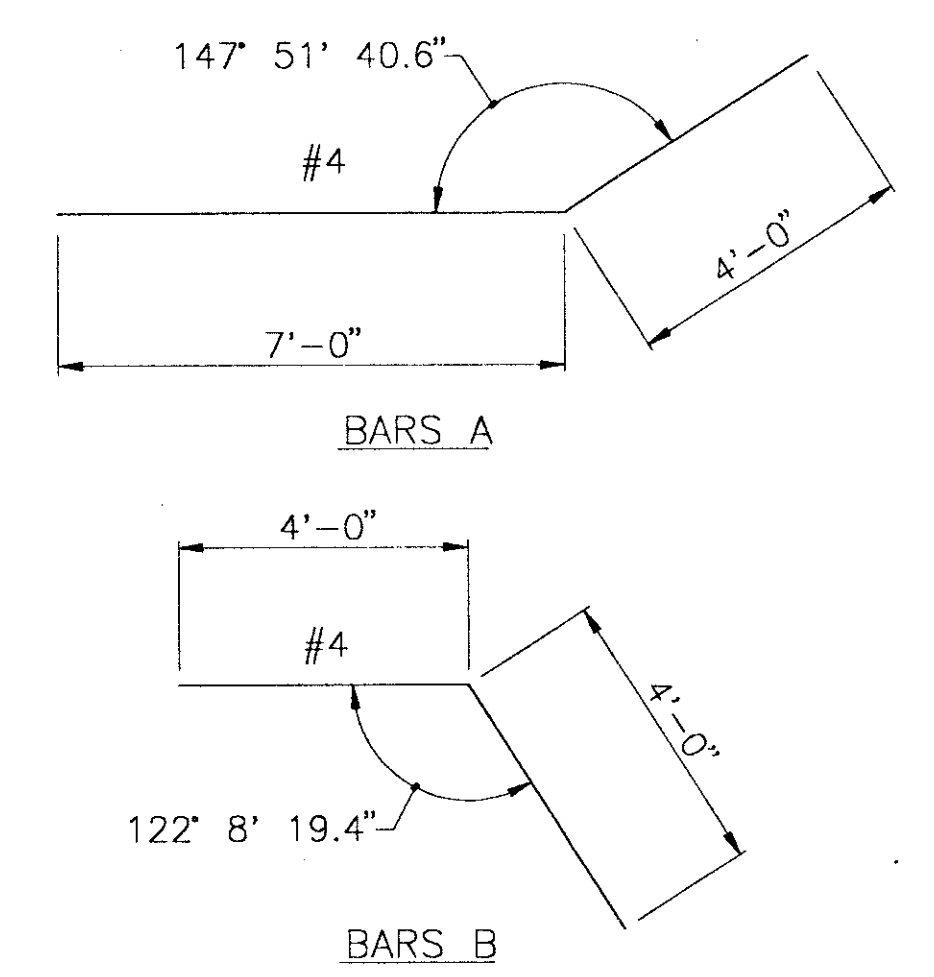


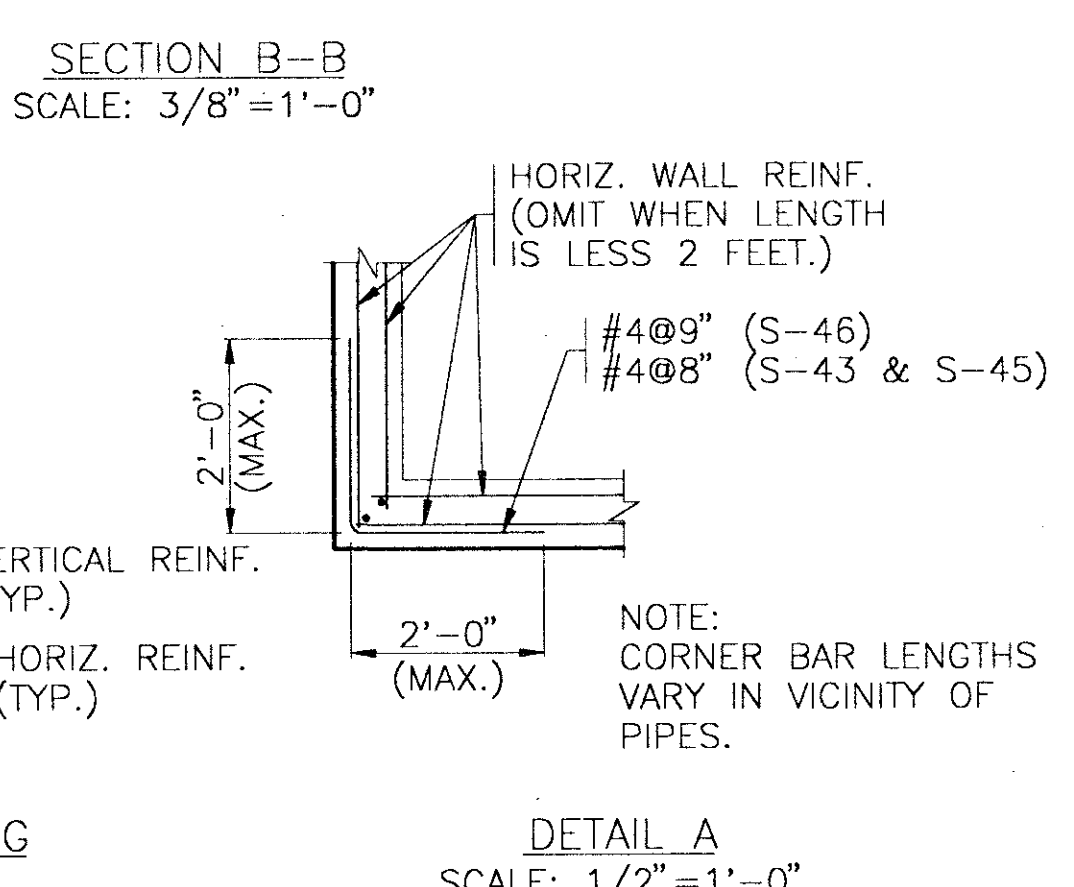
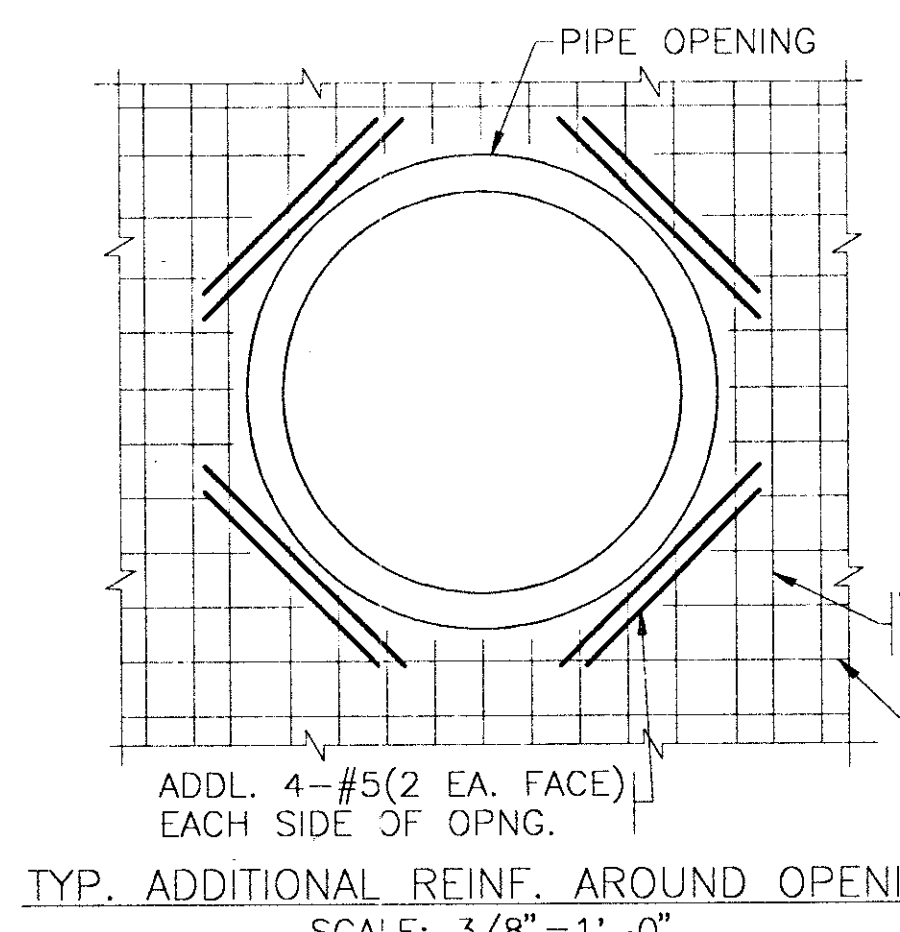
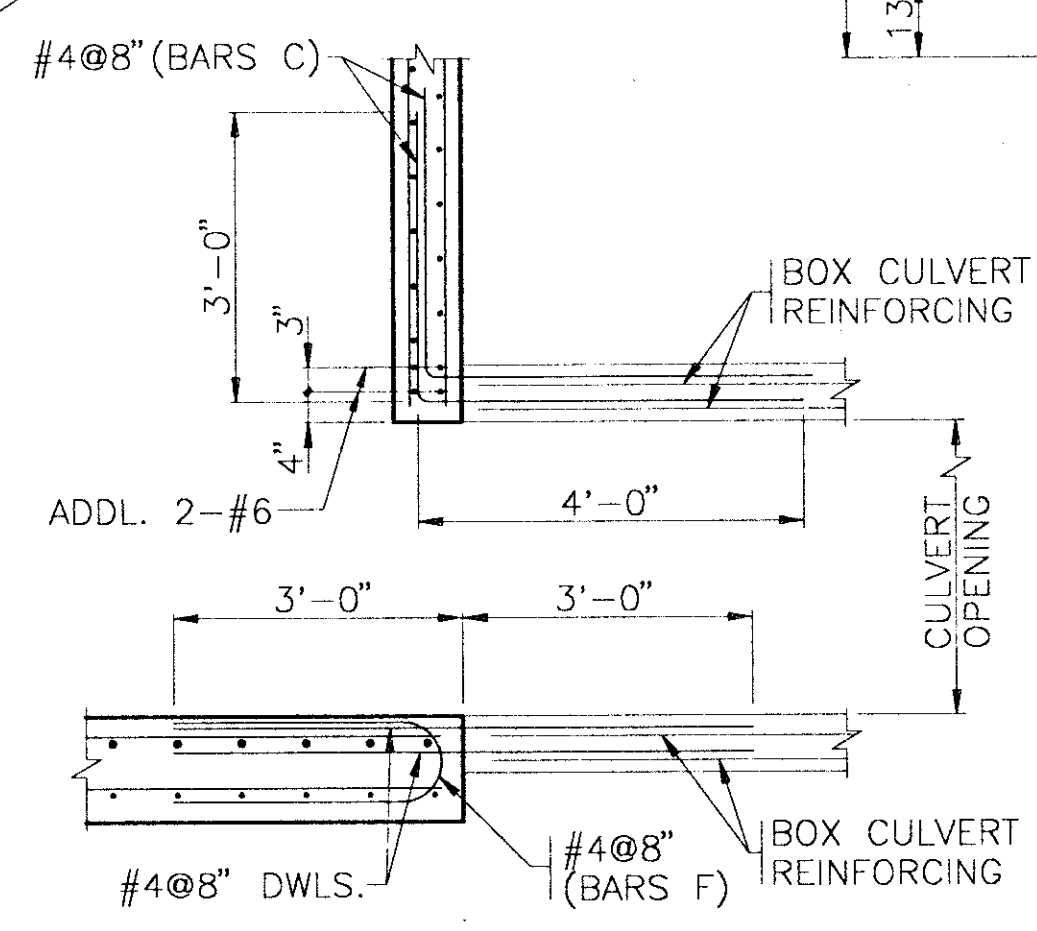
NOTE: FOR DETAILS NOT SHOWN SEE "SECTION A-A".



** VARIES IN VICINITY OF PIPE ONLY, OTHERWISE USE WALL REINF. DESIGNATED IN SECTION A-A.



JUNCTION BOX S-46
SCALE: 3/8" = 1'-0"



NOTE: FOR NOTES SEE SHEET 17



DESIGN: R.C.R.	A.L.P. NO: 3-48-0063-03-91	Date	Revisions	By
DRAWN: M.J.C.	S.P. NO:			
CHECKED: D.W.P.	JOB NO: Y8024.22			
SCALE: 1" = 3/8"				

Greiner
Greiner, Inc.
Fort Worth, Texas

Engineers, Architects
and Planners



ADDISON AIRPORT

DRAINAGE IMPROVEMENTS
DRAINAGE STRUCTURE DETAILS - STRUCTURE S-46

SHEET
16
DATE: SEPT. 1981