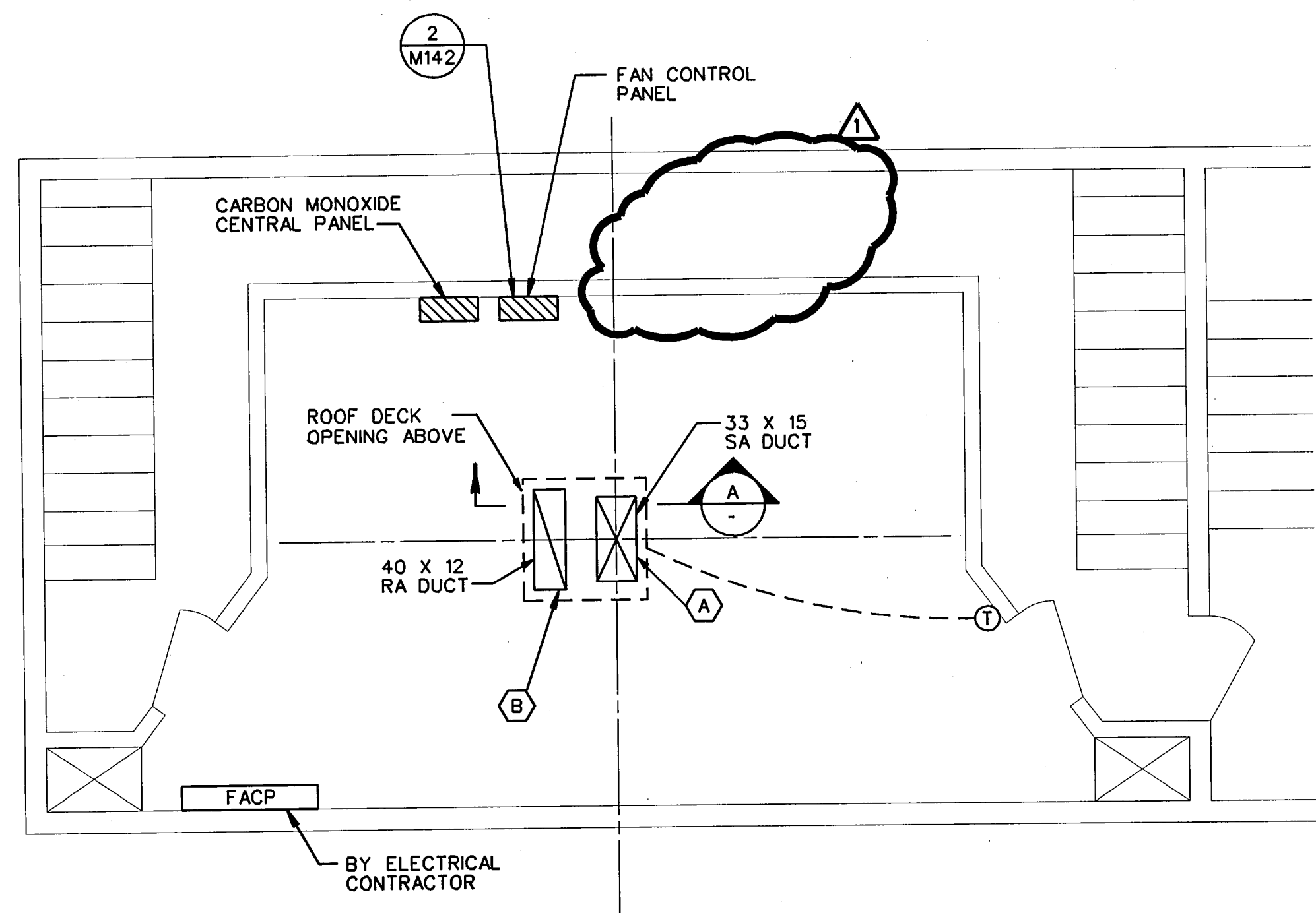
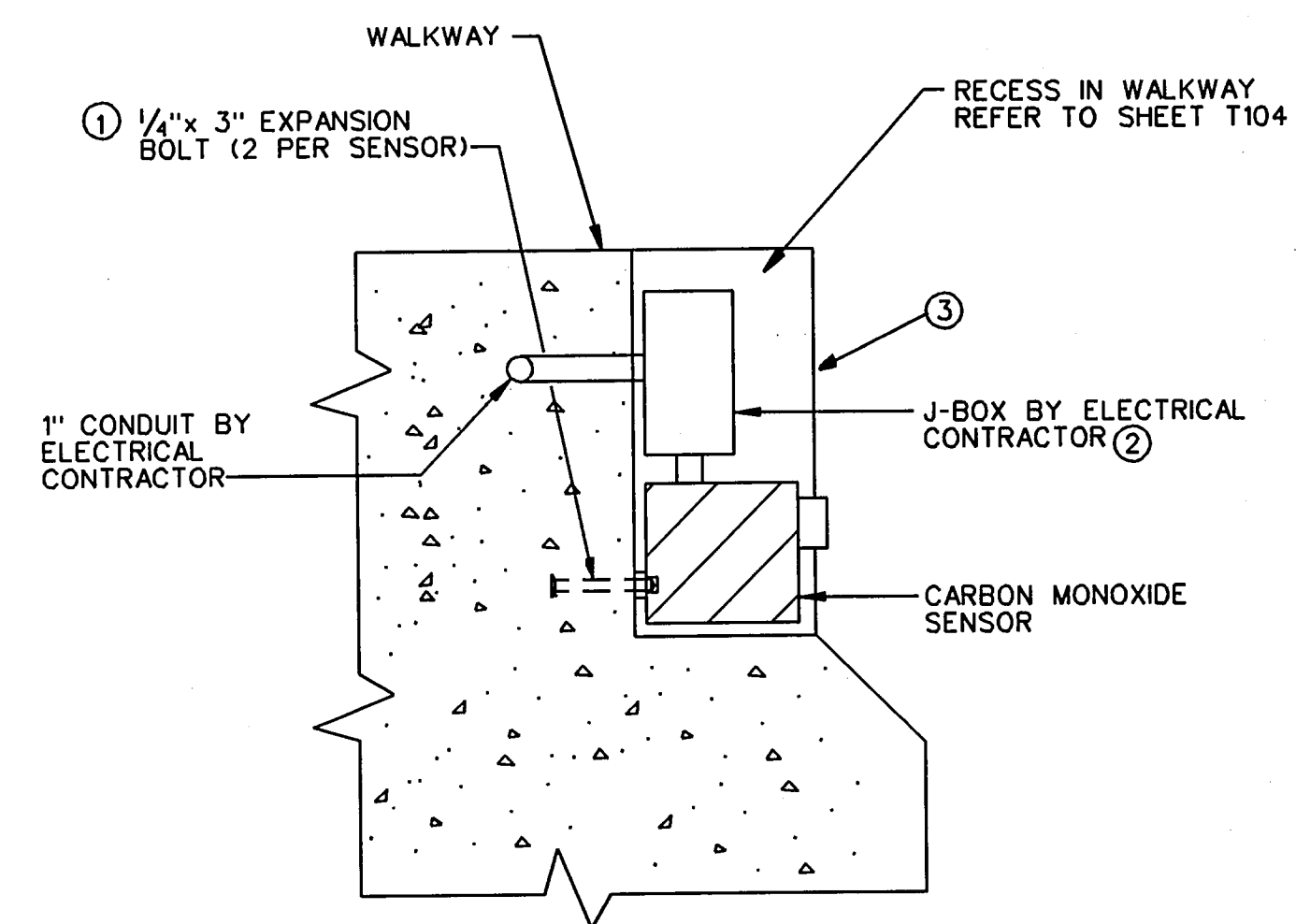
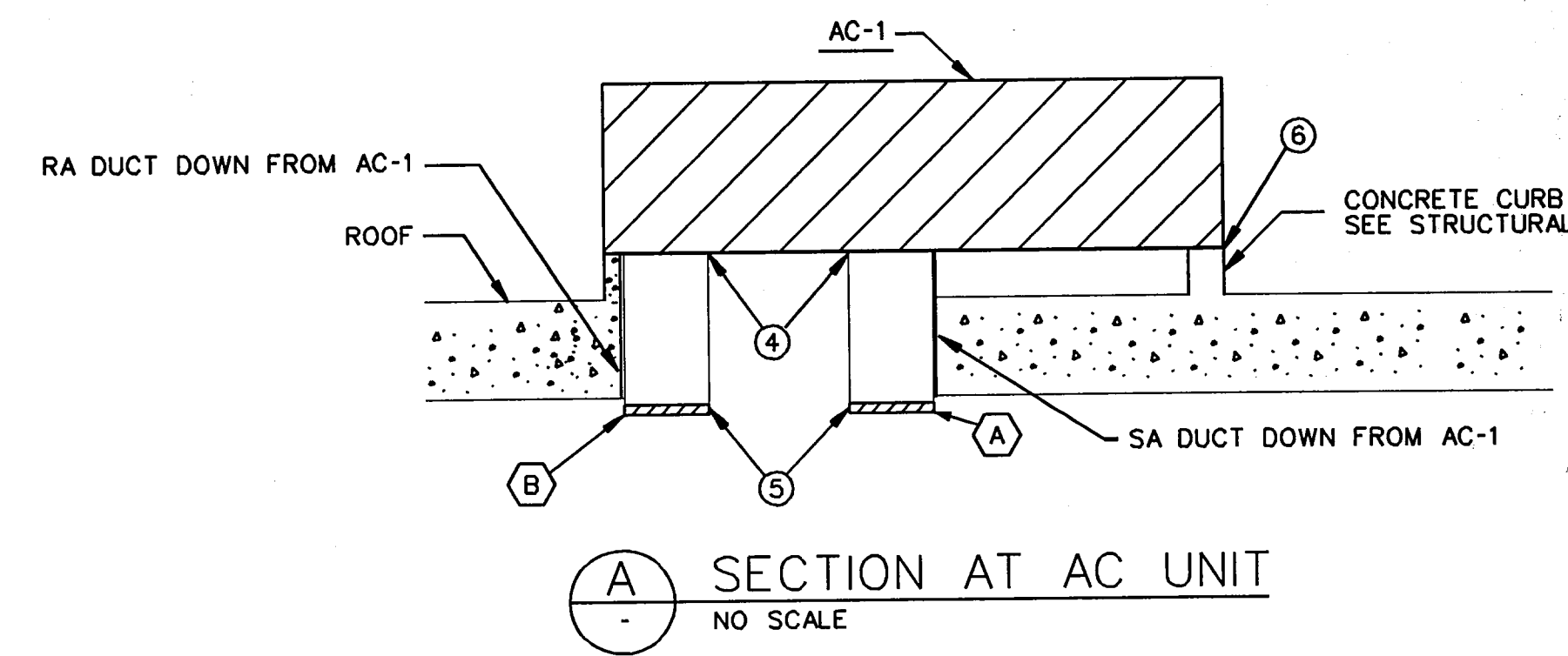


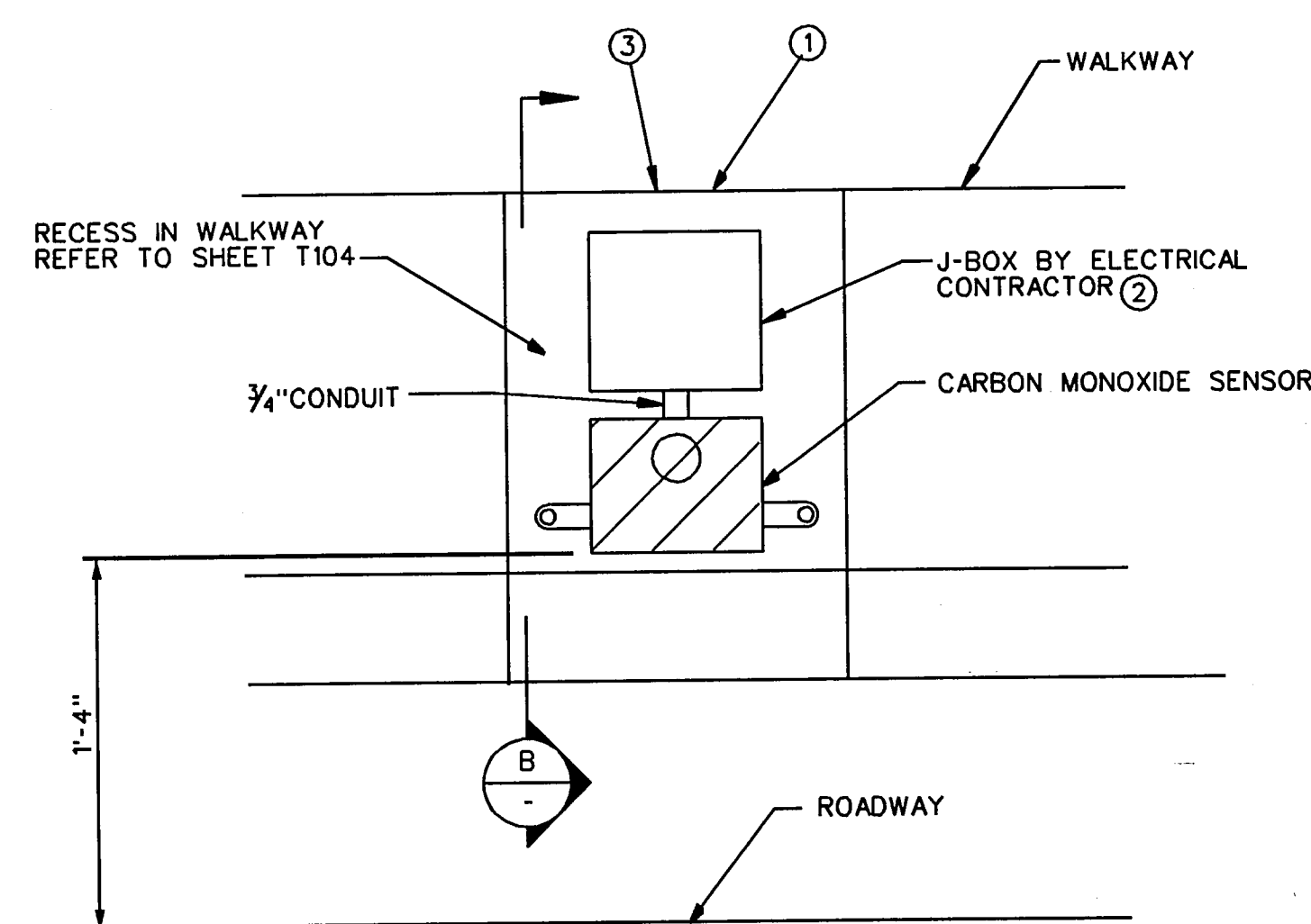
2 ELECTRICAL ROOM - HVAC ROOF PLAN
SCALE: 1/4" = 1'-0"



3 ELECTRICAL ROOM - HVAC FLOOR PLAN
SCALE: 1/4" = 1'-0"



B SECTION AT CO SENSOR
NO SCALE



1 ELEVATION AT CO SENSOR
NO SCALE

- KEY NOTES:
- FASTEN THE CARBON MONOXIDE SENSOR ACCORDING TO THE MANUFACTURER'S RECOMMENDATIONS.
 - COORDINATE WITH THE ELECTRICAL CONTRACTOR. PULL CONTROL WIRING IN CONDUIT AND J-BOXES PROVIDED BY ELECTRICAL CONTRACTOR.
 - THE RECESS IS SIZED FOR THE SENSOR SPECIFIED. IF AN ALTERNATE MANUFACTURER IS USED, COORDINATE SIZE OF RECESS WITH GENERAL CONTRACTOR PRIOR TO CONSTRUCTION OF WALKWAY. RECESS SHALL BE OF SUFFICIENT SIZE TO ALLOW REMOVAL AND REPLACEMENT OF SENSOR.
 - PROVIDE AND INSTALL 1X1X3/8" ANGLE INSIDE THE CURB OPENING TO SUPPORT THE DUCT. LOCATE AND SEAL ACCORDING TO THE MANUFACTURER'S CURB DETAIL.
 - PROVIDE AND INSTALL 1X1X3/8" ANGLE TO SPAN THE BOTTOM OF THE ROOF DECK OPENING FOR DUCT AND AIR DEVICE SUPPORT. MATCH THE SUPPORT PATTERN USED AT THE TOP OF THE DUCTS.
 - SEAL CURB ACCORDING TO MANUFACTURER'S RECOMMENDATIONS. PROVIDE SPACER ALONG TOP OF CURB IF NECESSARY TO MAINTAIN 1/4" GAP BETWEEN THE CURB AND CABINET PERIMETER FLANGE.



THE SEAL APPEARING ON THIS DOCUMENT WAS AUTHORIZED BY MIKE L. ASHCRAFT, P.E., 56590 ON SEPTEMBER 9, 1996

FINAL RECORD DRAWING
Date: 12/25/99

GEN. SETS		MLA	2/7/97
No.	REVISION	BY	DATE
TEXAS TURNPIKE AUTHORITY ADDISON AIRPORT TUNNEL			
TUNNEL VENTILATION SECTIONS & ELECTRIC ROOM AIR CONDITIONING			
HDR HDR Engineering, Inc.			SECTION XIII
DRAWN: WTD	DATE: 12/05/96	DESIGNED: MLA	DATE: 08/28/96
CHECKED: BL	DATE: 08/28/96	SCALE: AS SHOWN	
CONTRACT No. DNT-260 SHEET M141 OF 166			