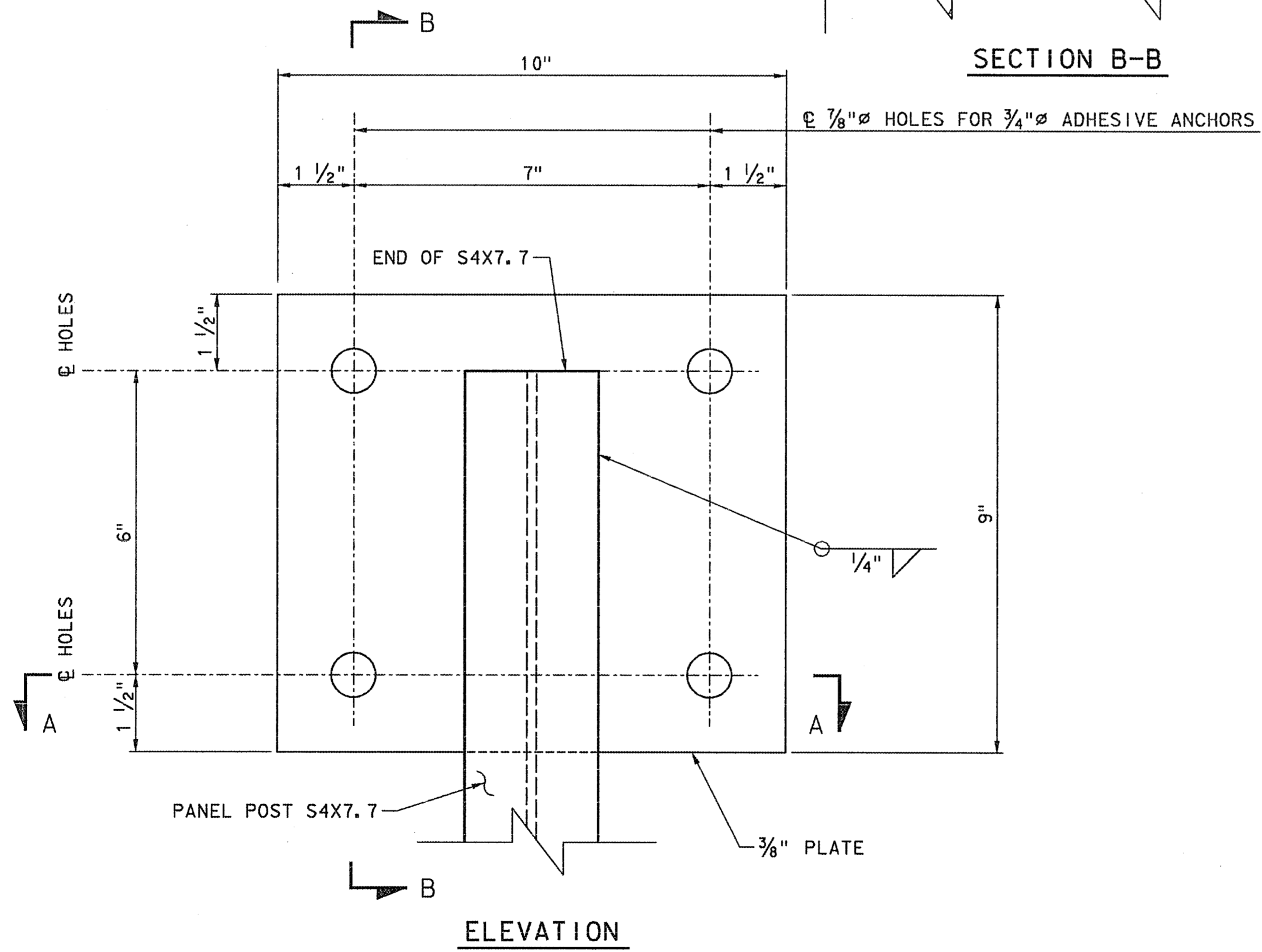


SECTION A-A

SECTION B-B

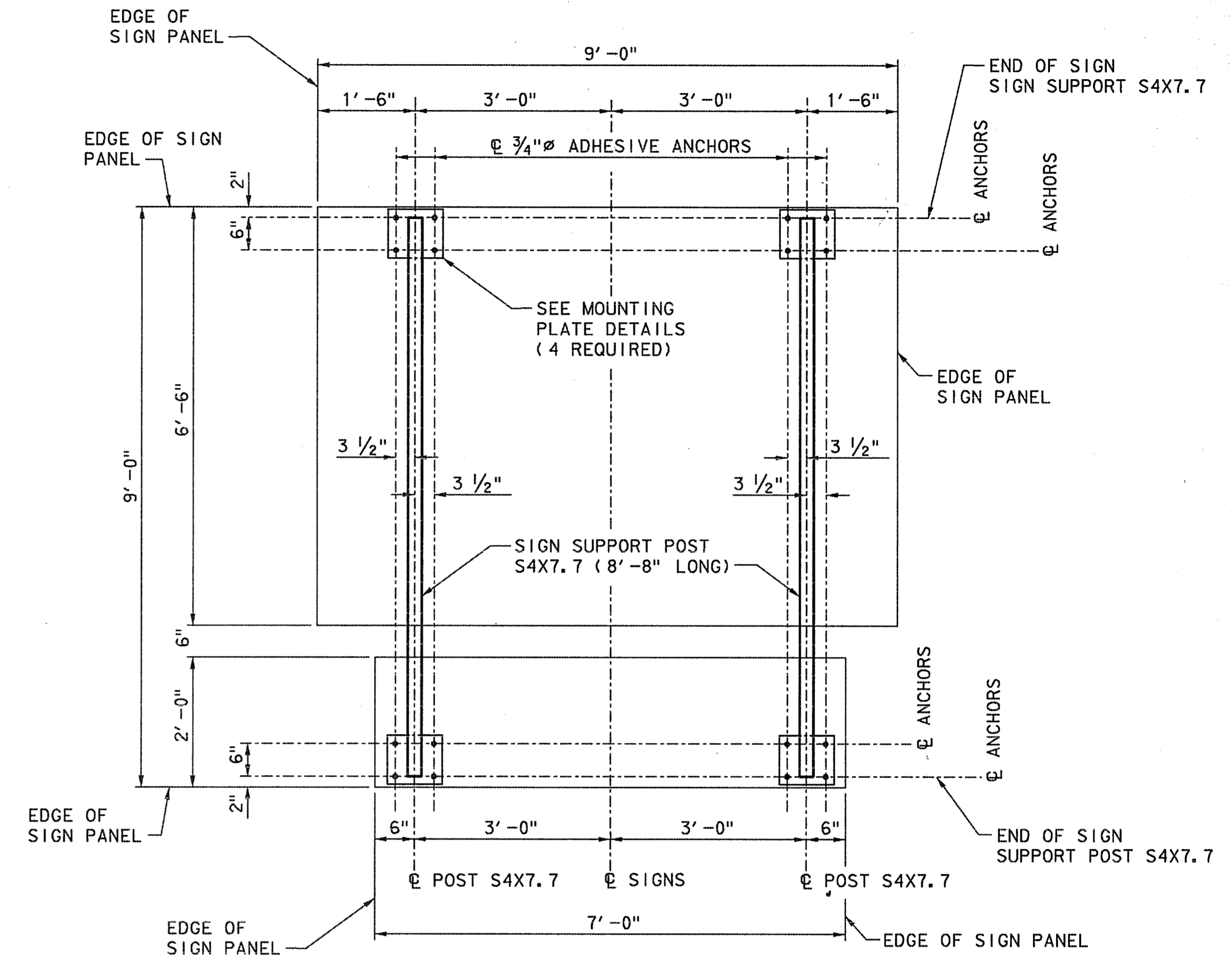


ELEVATION

MOUNTING PLATE DETAILS

NOTES:

1. 4 EACH 3/4"Ø X 6 5/8" ADHESIVE TYPE ANCHORS AS APPROVED BY ENGINEER.
2. ONE MOUNTING PLATE AT EACH END OF S4X7.7 POST.



SIGN SUPPORT FRAMING AND ANCHOR DETAILS

GENERAL NOTES:

1. ADHESIVE TYPE ANCHORS SHALL BE APPROVED BY THE ENGINEER.
2. NO DIRECT PAYMENT WILL BE MADE FOR SIGN MOUNTING. COST OF MATERIALS AND LABOR SHALL BE INCLUDED IN THE PRICE BID FOR PORTAL SIGNS ITEM NO. 636 & SP.
3. STRUCTURAL STEEL SHALL CONFORM TO SPECIFICATION ITEM 441.
4. SHOP WELD 3/8" PLATE TO PANEL POST S4X7.7. LOCATE SIGN ON TUNNEL PORTAL AND USE 3/8" PLATE AS TEMPLATE FOR LOCATION OF ADHESIVE ANCHORS BEFORE DRILLING HOLES IN CONCRETE.
5. THE CONTRACTOR MAY SUBMIT A FRAMING TEMPLATE FOR LOCATING THE ANCHOR BOLT PATTERN PRIOR TO ERECTION.
6. FOR OTHER DETAILS, SEE STANDARD SMD (P-1)(MOD.). PROVIDE STRAIGHT 8'-8" LONG S4X7.7 POST FOR SIGN SUPPORT. WALKWAYS WILL NOT BE PROVIDED AND LIGHTS WILL NOT BE PROVIDED AT TUNNEL PORTAL.

THE SEAL APPEARING ON THIS DOCUMENT WAS AUTHORIZED BY RICHARD K. LAIRD, P.E. NO. 59187 ON JANUARY 12, 1999. ALTERATION OF A SEALED DOCUMENT WITHOUT PRIOR NOTIFICATION TO THE RESPONSIBLE ENGINEER IS AN OFFENSE UNDER THE TEXAS ENGINEERING PRACTICE ACT.



FINAL RECORD DRAWING
Date: 12/25/99

No.	REVISION	BY	DATE
NORTH TEXAS TOLLWAY AUTHORITY ADDISON AIRPORT TUNNEL			
TUNNEL PORTAL SIGN MOUNTING DETAILS			
MATED CONSULTING ENGINEERS, INC. 5980 PETERSON LANE SUITE 225 DALLAS, TEXAS 75249 (972) 235-8700			SECTION XIII
DRAWN: SA	DATE: 5/97	DESIGNED: RKL	DATE: 5/97
CHECKED: SCF	DATE: 5/97	SCALE: NONE	
CONTRACT No. DNT-260 SHEET 17 OF 52			