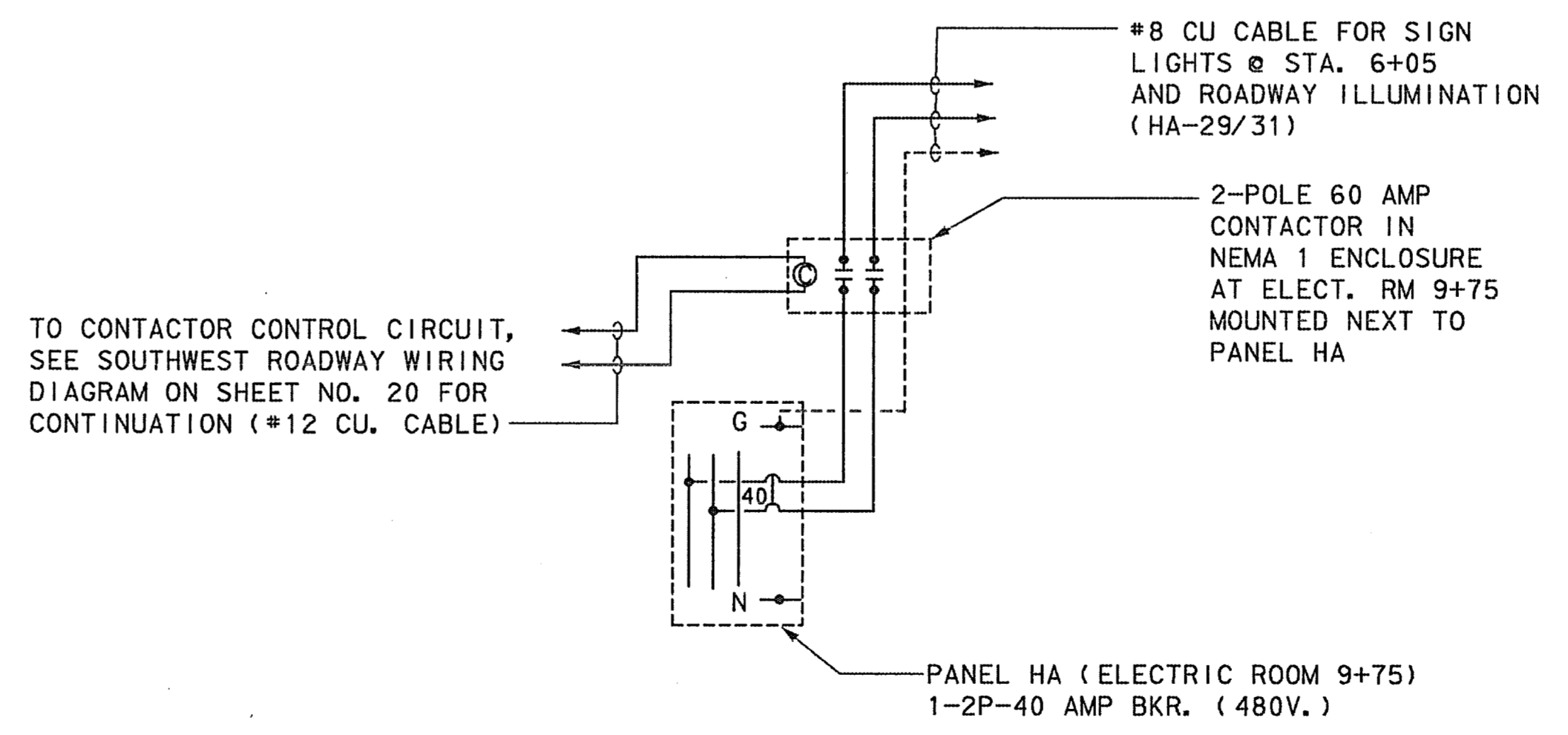


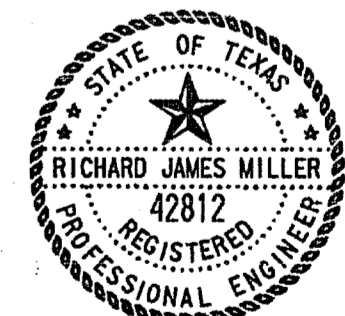
NOTES:  
 1. SEE SHEET NO. 18 FOR GENERAL NOTES AND LEGEND.

WEST APPROACH



THE SEAL APPEARING ON THIS DOCUMENT WAS AUTHORIZED BY RICHARD J. MILLER, P.E. NO. 42812 ON JANUARY 12, 1999. ALTERATION OF A SEALED DOCUMENT WITHOUT PRIOR NOTIFICATION TO THE RESPONSIBLE ENGINEER IS AN OFFENSE UNDER THE TEXAS ENGINEERING PRACTICE ACT.

FINAL RECORD DRAWING  
 Date: 12/25/99



No.	REVISION	BY	DATE
NORTH TEXAS TOLLWAY AUTHORITY ADDISON AIRPORT TUNNEL			
ROADWAY ILLUMINATION LAYOUT STA. 3+50 TO STA. 8+00			
MATED CONSULTING ENGINEERS, INC. 5560 PETERSON LANE, SUITE 225 DALLAS, TEXAS 75240 (972) 233-6700			SECTION XIII.
DRAWN: SAA	DATE: 5/97	DESIGNED: DR	DATE: 5/97
CHECKED: RJM	DATE: 5/97	SCALE: 1"=20'	
CONTRACT No. DNT-260 SHEET 19 OF 52			

NORTHWEST ROADWAY - TYPICAL ILLUMINATION WIRING DIAGRAM  
 N. T. S.