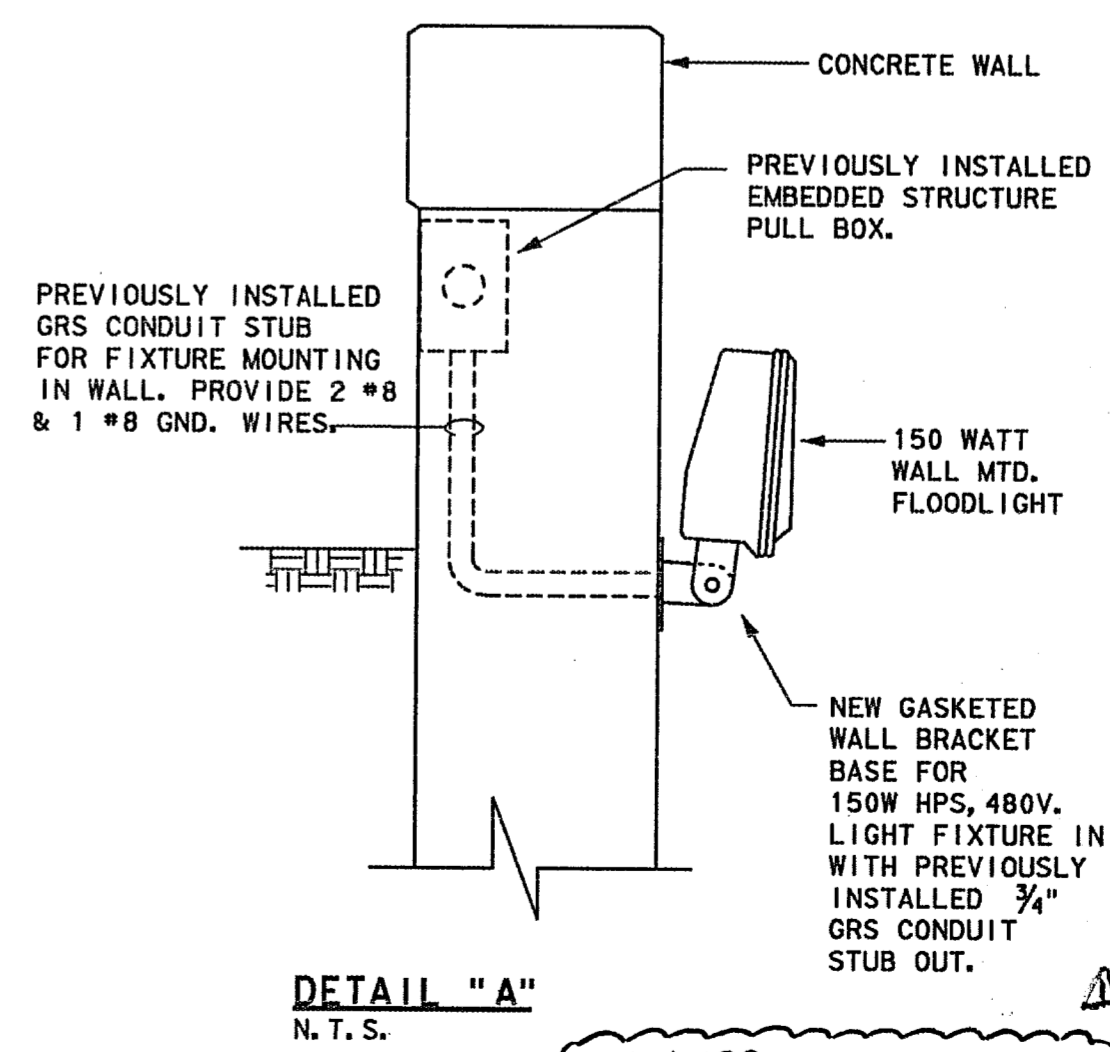
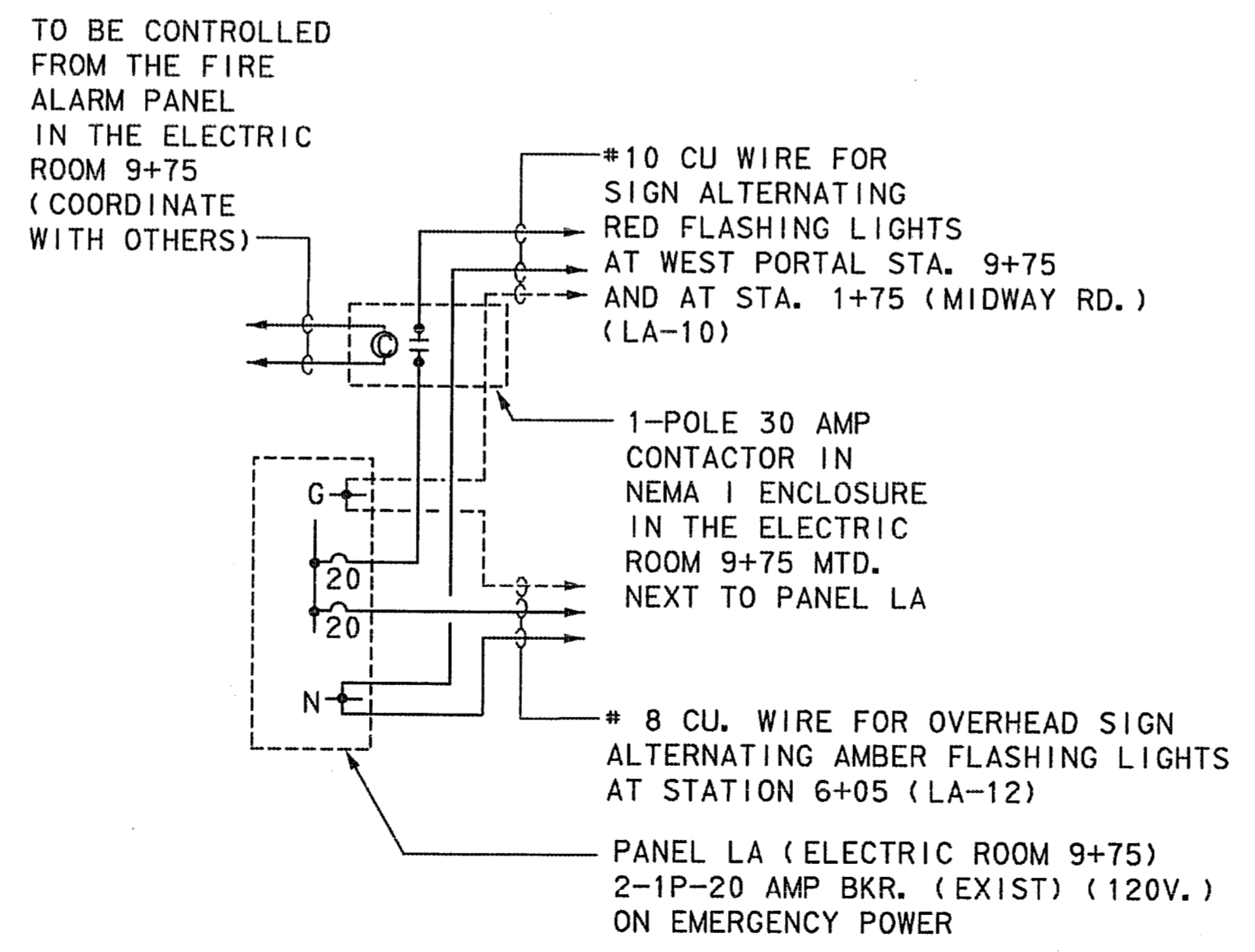
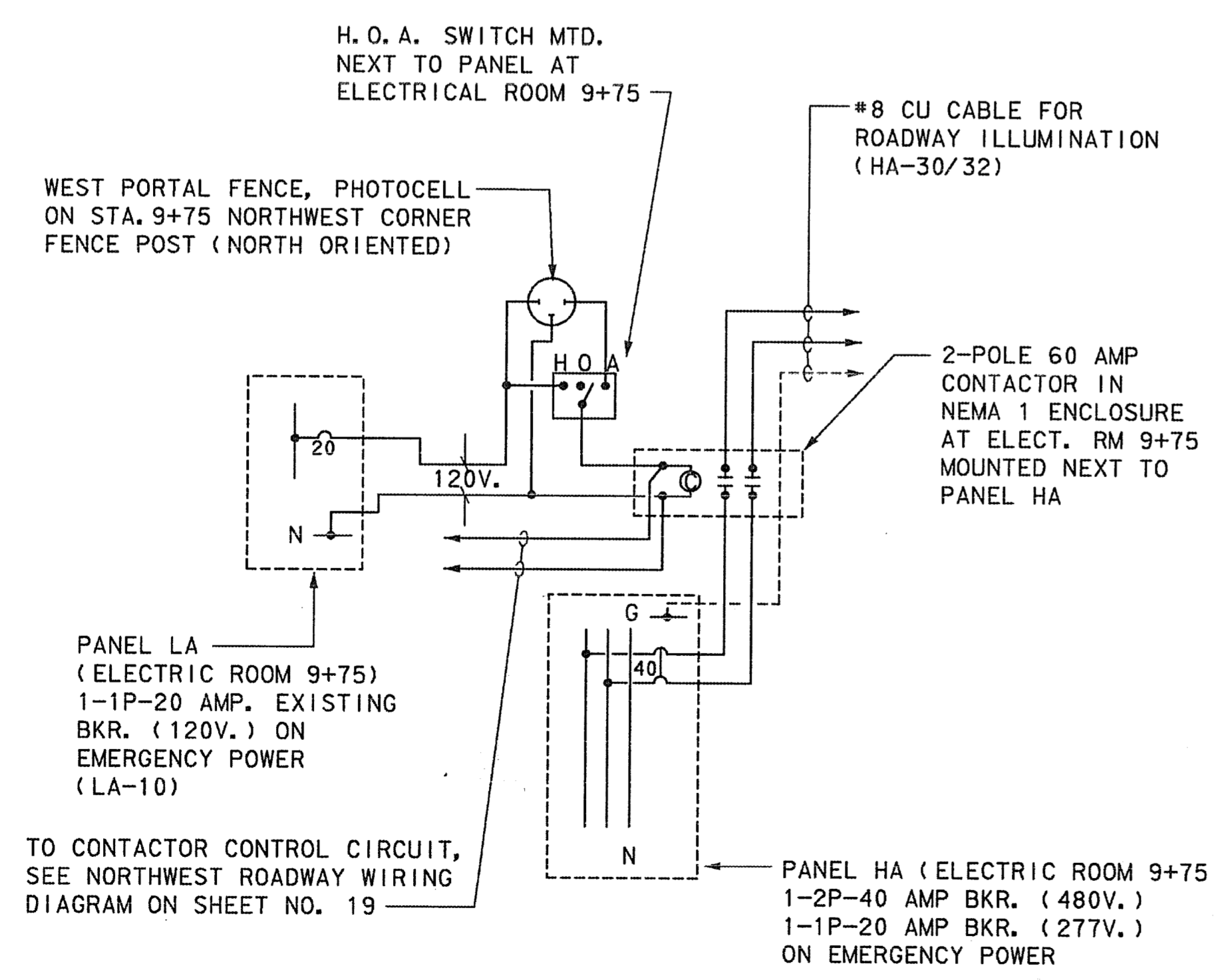


THE SEAL APPEARING ON THIS DOCUMENT WAS AUTHORIZED BY RICHARD J. MILLER, P.E. NO. 42812 ON JANUARY 12, 1999. ALTERATION OF A SEALED DOCUMENT WITHOUT PRIOR NOTIFICATION TO THE RESPONSIBLE ENGINEER IS AN OFFENSE UNDER THE TEXAS ENGINEERING PRACTICE ACT.

FINAL RECORD DRAWING
Date: 12/25/99



REVISION PER RFI # 199			
No.	REVISION	BY	DATE
NORTH TEXAS TOLLWAY AUTHORITY ADDISON AIRPORT TUNNEL			
ROADWAY ILLUMINATION LAYOUT STA. 8+00 TO STA. 13+00			
MCE MATED CONSULTING ENGINEERS, INC. 3500 PETERSON LANE SUITE 225 DALLAS, TEXAS 75240 (972) 233-6700		SECTION XIII	
DRAWN: SAA	DATE: 5/97	DESIGNED: DR	DATE: 5/97
CHECKED: RJM	DATE: 5/97	SCALE: 1"=20'	
CONTRACT No. DNT-260 SHEET 20 OF 52			



SOUTHWEST ROADWAY - TYPICAL ILLUMINATION WIRING DIAGRAM
N. T. S.

ALARM SIGN WIRING DIAGRAM (WEST ENTRANCE)
N. T. S.

RFI # 199
EXACT HEIGHT OF WALL MOUNTED ROADWAY ILLUMINATION SIGNS