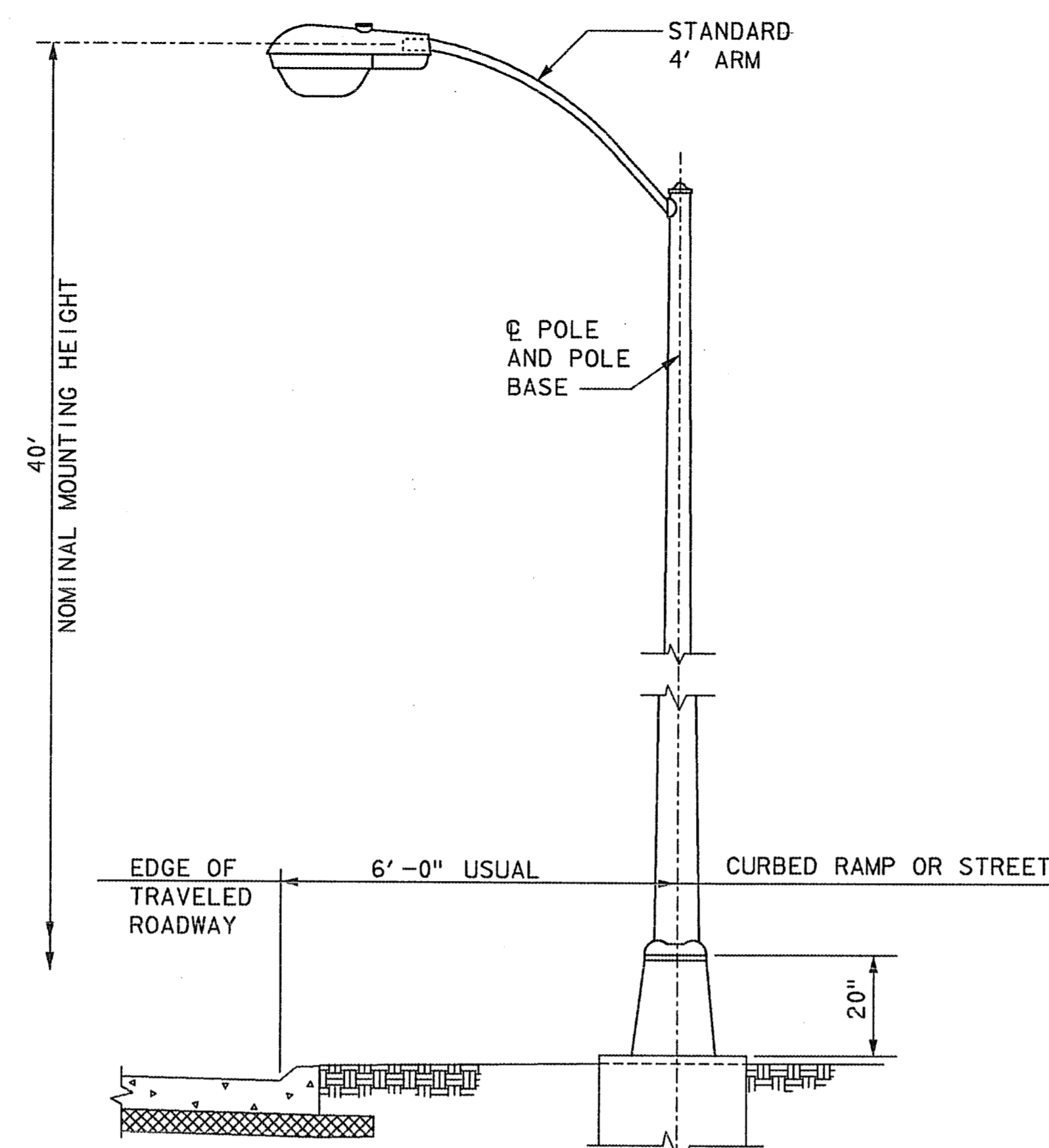
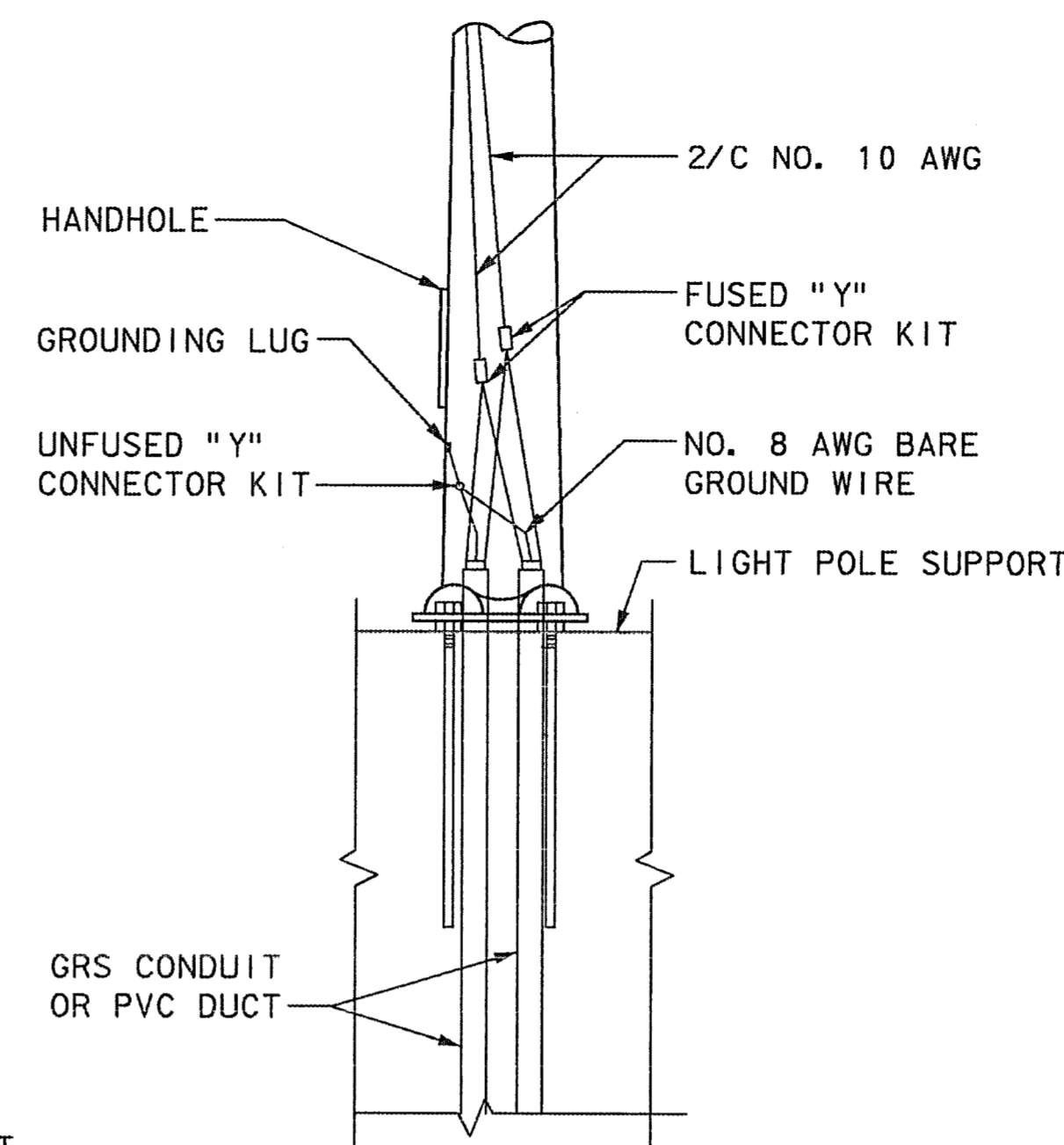


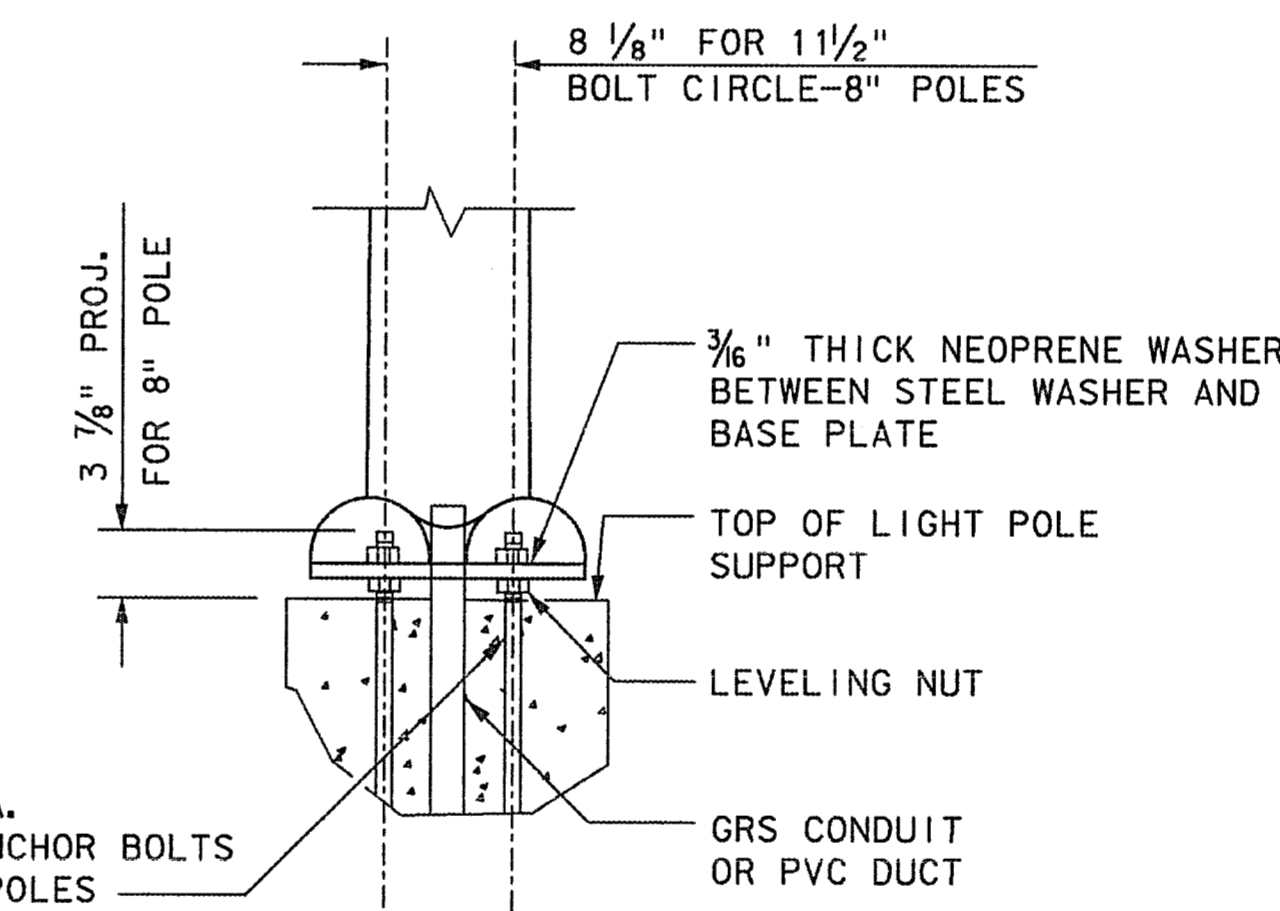
WALL-MOUNTED LIGHTING STANDARD DETAIL



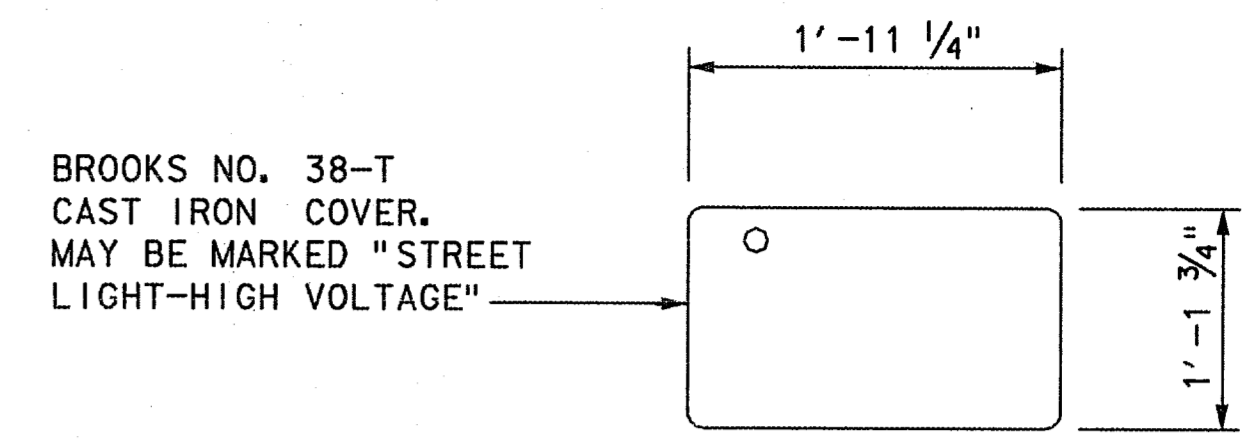
GROUND-MOUNTED LIGHTING STANDARD DETAIL



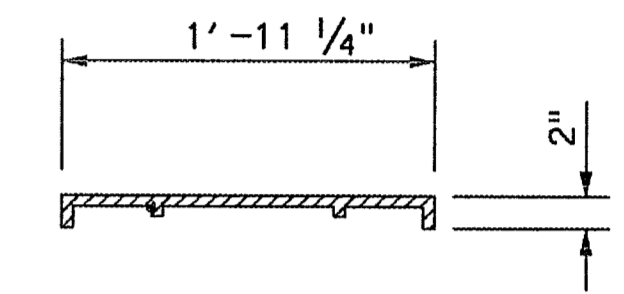
POLE BASE CONDUCTOR CONNECTION DETAIL



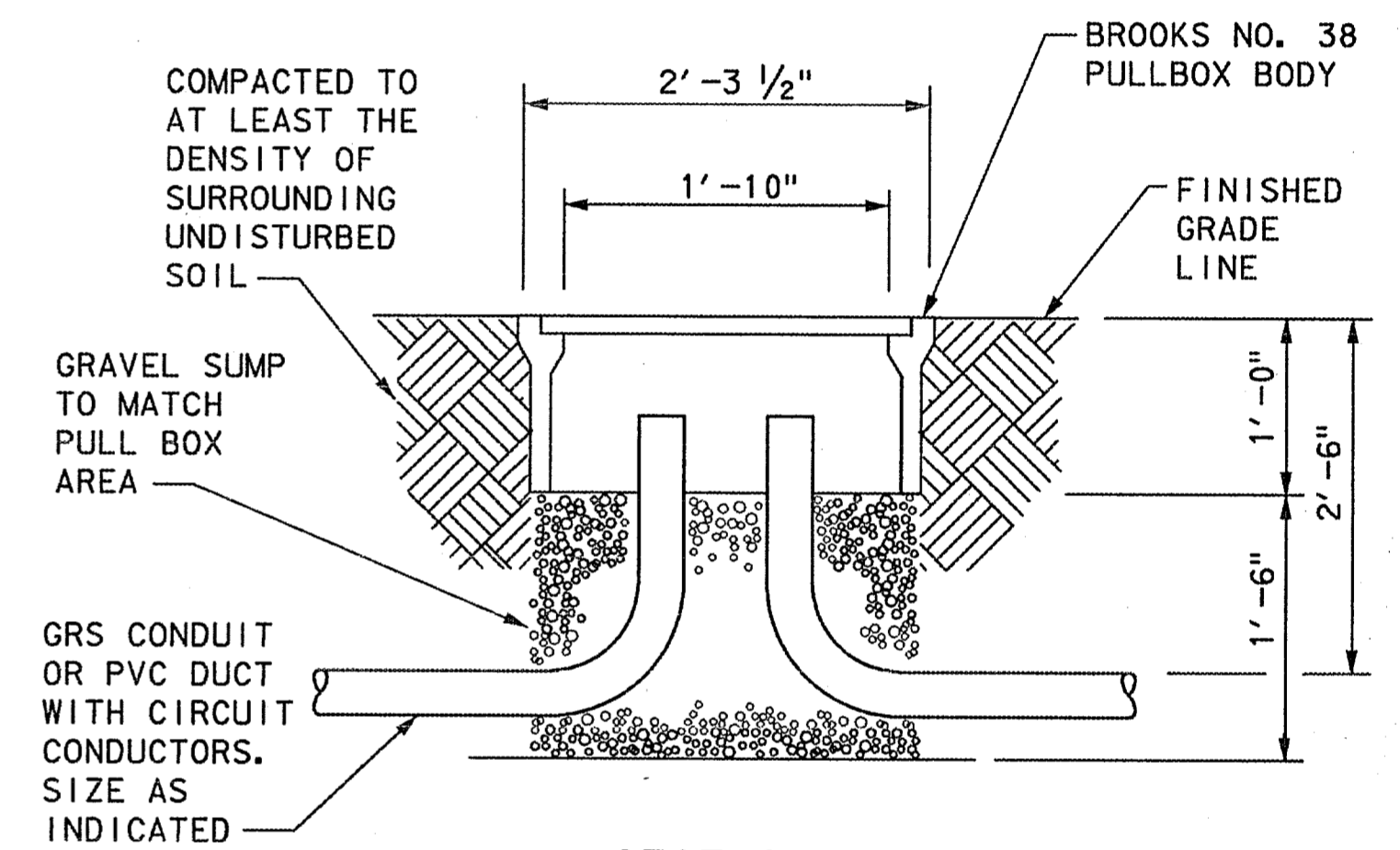
STRUCTURE POLE MOUNTING DETAIL



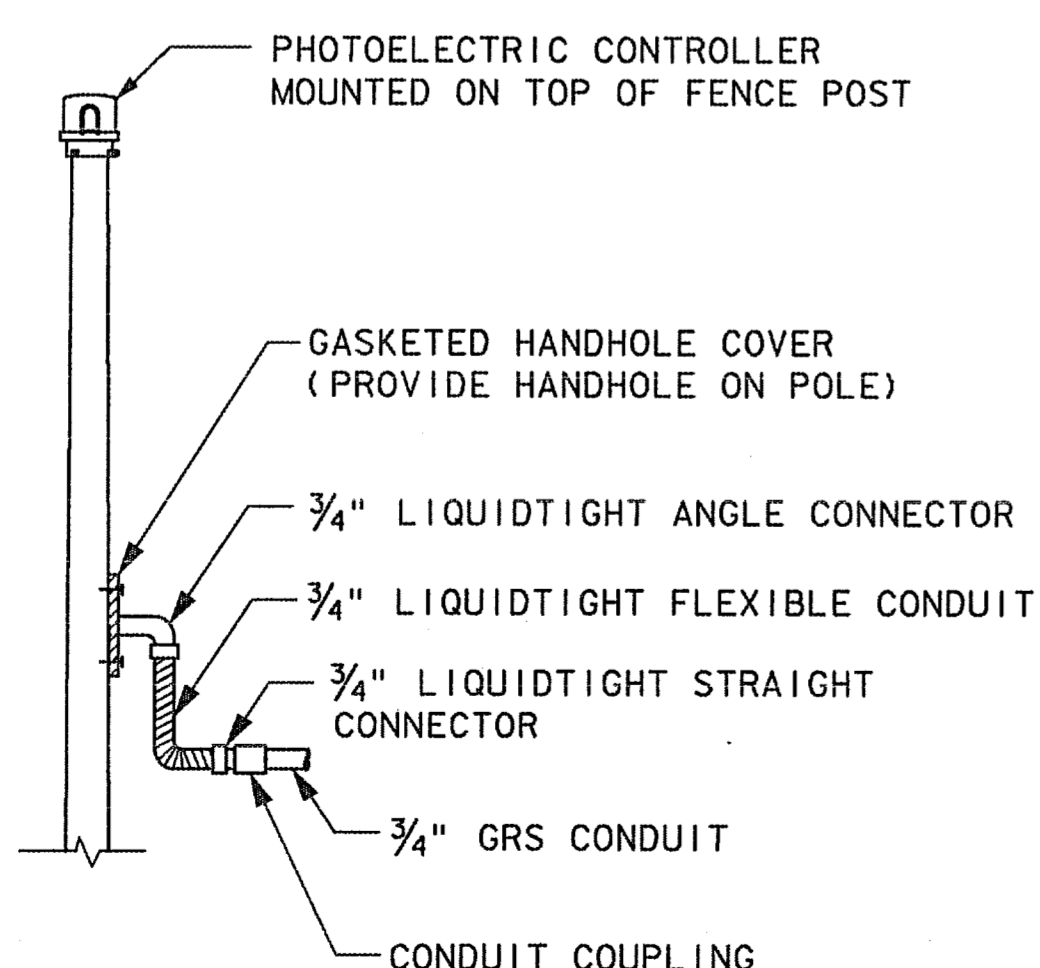
COVER PLAN



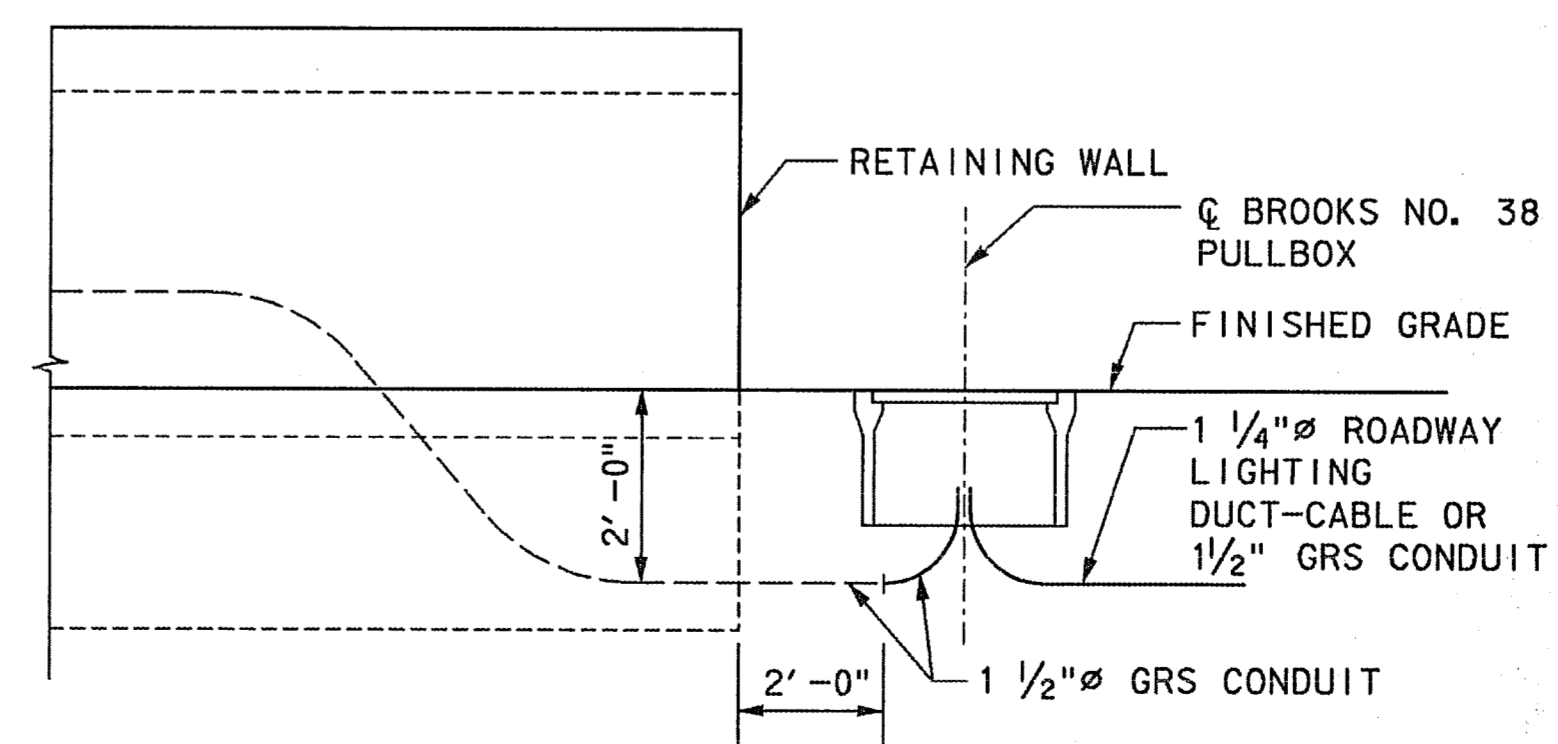
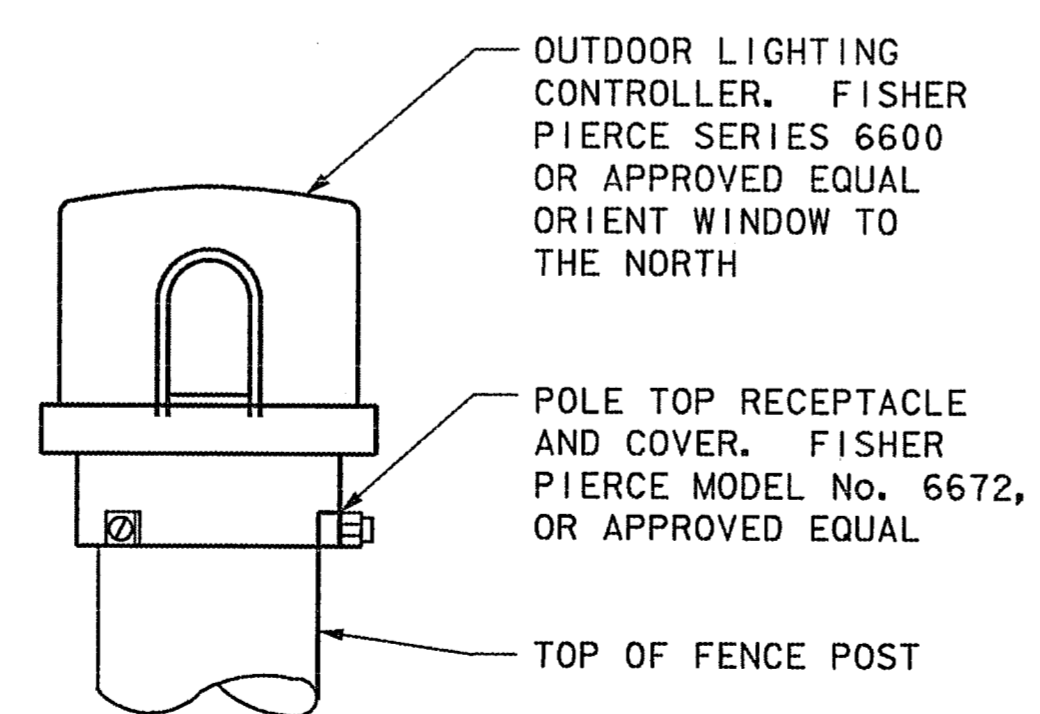
COVER SECTION



SECTION PULL BOX DETAILS



PHOTOELECTRIC CONTROLLER-MOUNTING DETAIL ON TOP OF FENCE POST



RAIL TERMINAL STRUCTURAL CONDUIT DETAIL

THE SEAL APPEARING ON THIS DOCUMENT WAS AUTHORIZED BY RICHARD J. MILLER, P.E. NO. 42812 ON JANUARY 12, 1999. ALTERATION OF A SEALED DOCUMENT WITHOUT PRIOR NOTIFICATION TO THE RESPONSIBLE ENGINEER IS AN OFFENSE UNDER THE TEXAS ENGINEERING PRACTICE ACT.

FINAL RECORD DRAWING
Date: 12/25/99



No.	REVISION	BY	DATE
NORTH TEXAS TOLLWAY AUTHORITY ADDISON AIRPORT TUNNEL			
MISCELLANEOUS ELECTRICAL DETAILS			
DRAWN: SAA		DATE: 5/97	DESIGNED: DR
CHECKED: RJM		DATE: 5/97	SCALE: NONE
CONTRACT No. DNT-260 SHEET 24 OF 52			

MCE MATED CONSULTING ENGINEERS, INC.
5500 PETERSON LANE SUITE 225
DALLAS, TEXAS 75240 (972) 233-6700

SECTION XIII