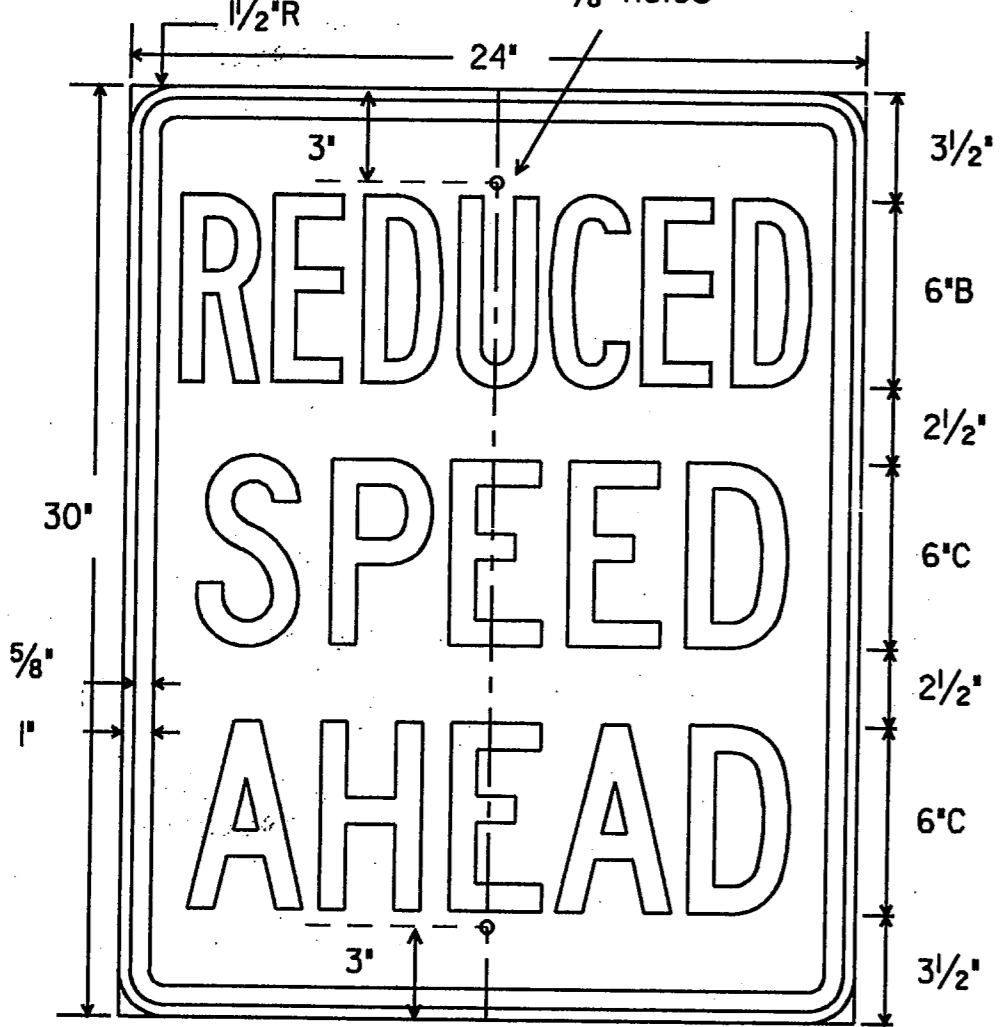
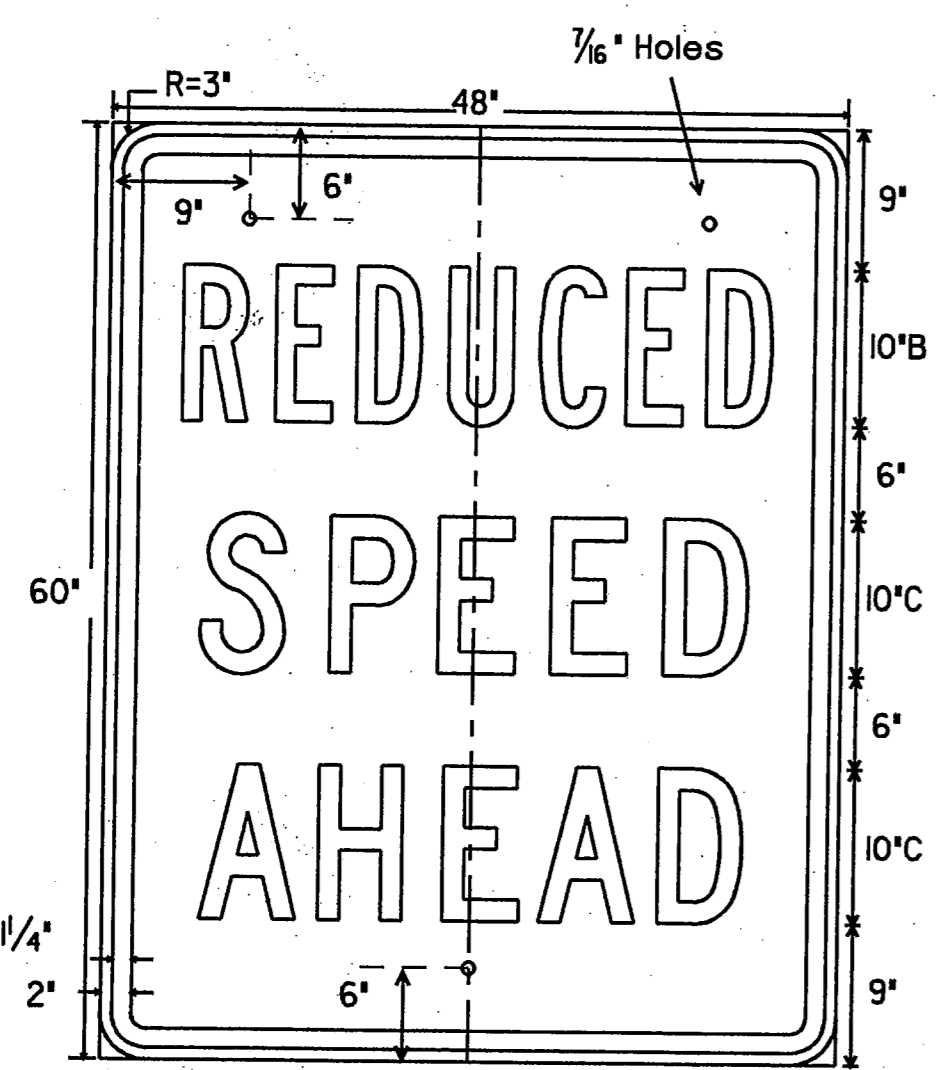


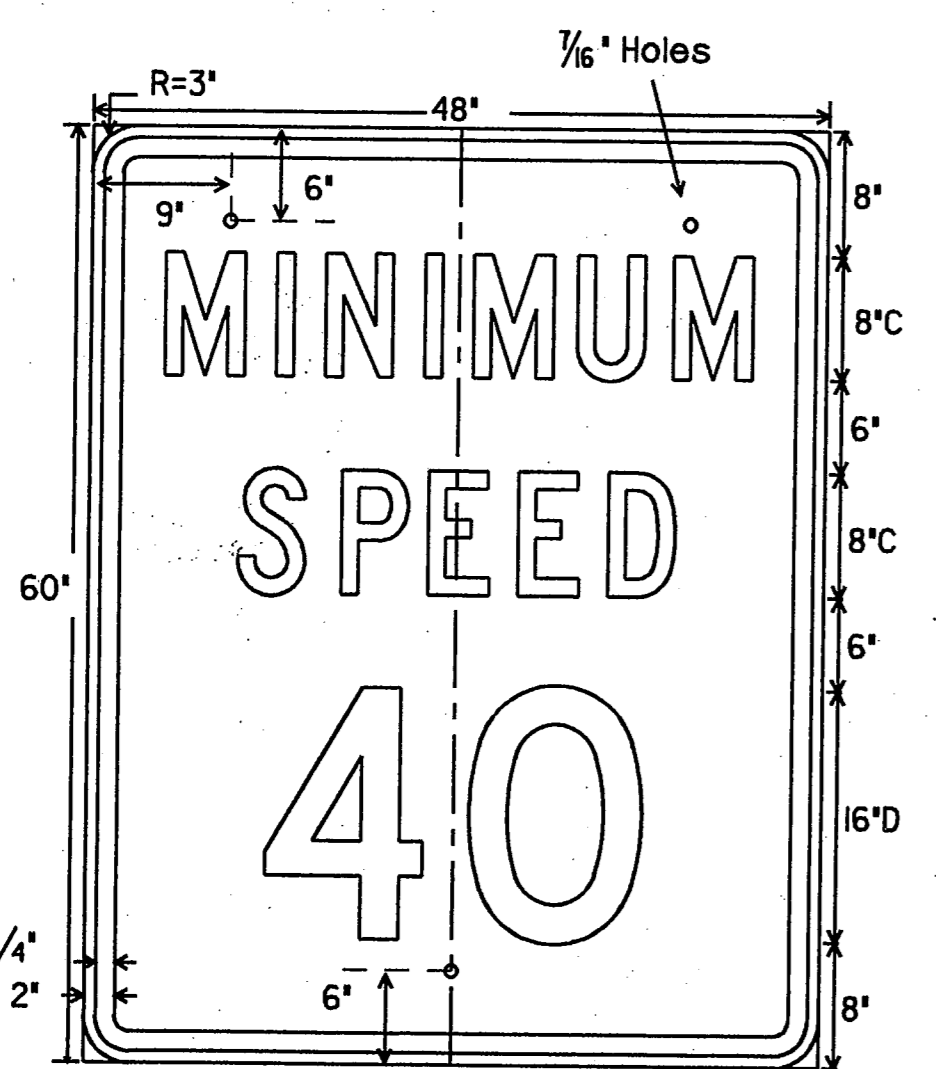
LEVELS DISPLAYED	DATE:
1	1
2	2
3	3
4	4
5	5
6	6
7	7
8	8
9	9
10	10
11	11
12	12
13	13
14	14
15	15
16	16
17	17
18	18
19	19
20	20
21	21
22	22
23	23
24	24
25	25
26	26
27	27
28	28
29	29
30	30
31	31
32	32
33	33
34	34
35	35
36	36
37	37
38	38
39	39
40	40



R2-5a Legend - Black Background - White Refl. 24" X 30"



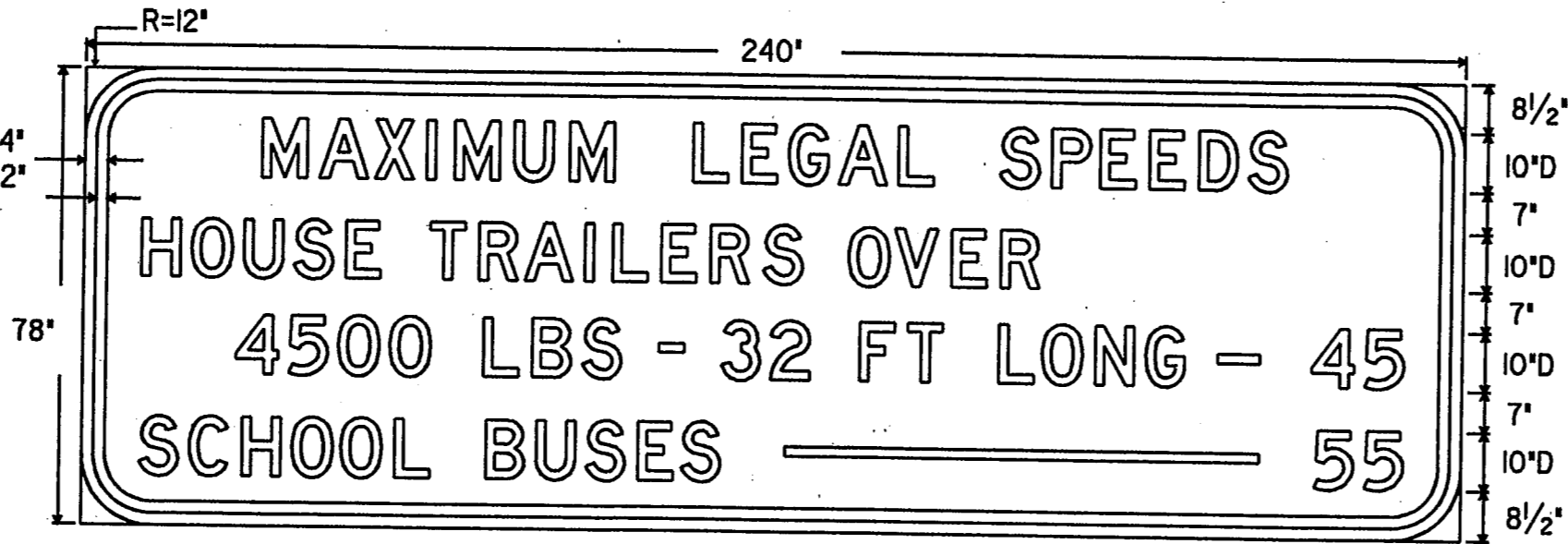
FR2-5a Legend - Black Background - White Refl. 48" X 60"



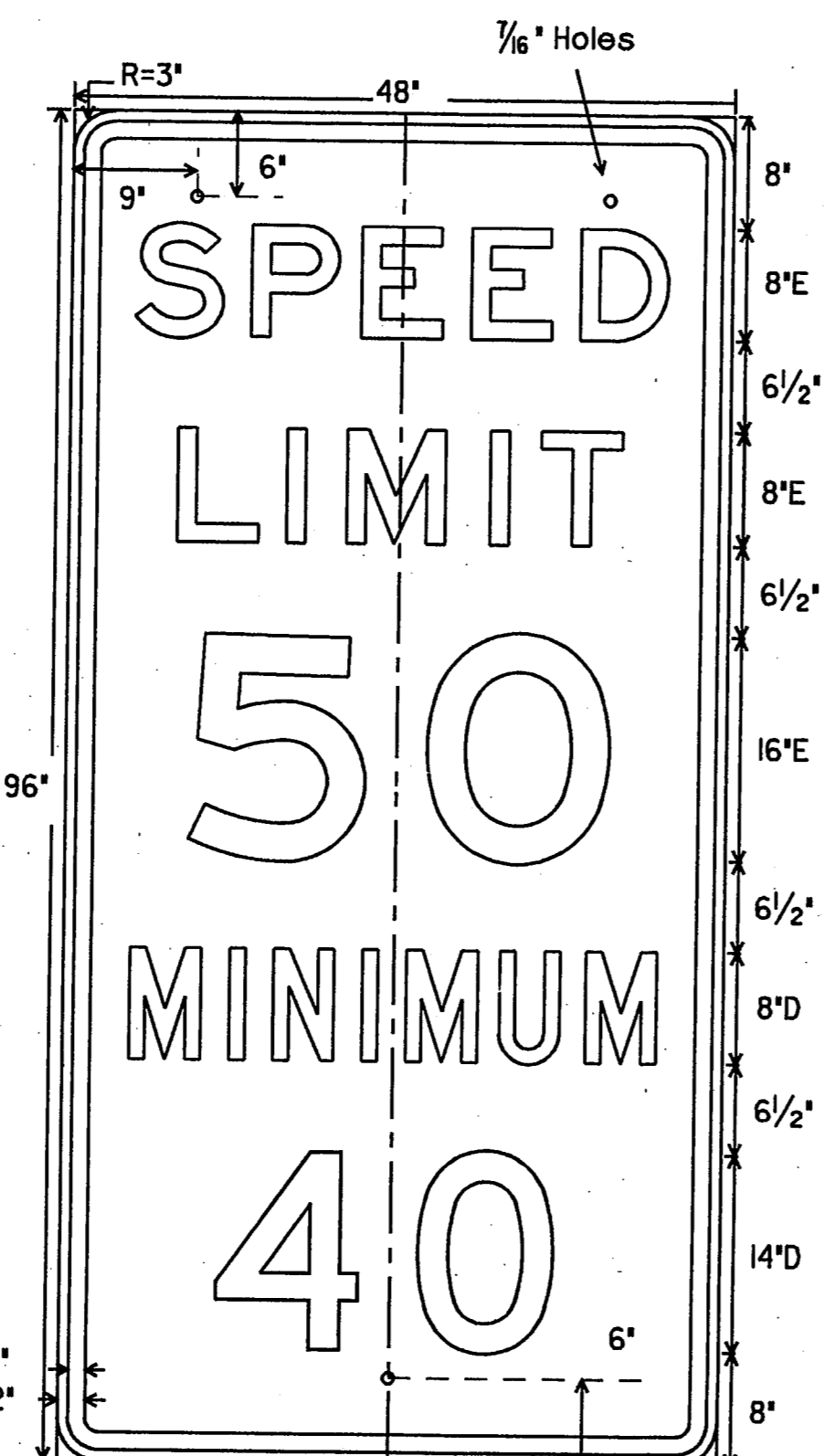
FR2-4 Legend - Black Background - White Refl. 48" X 60"



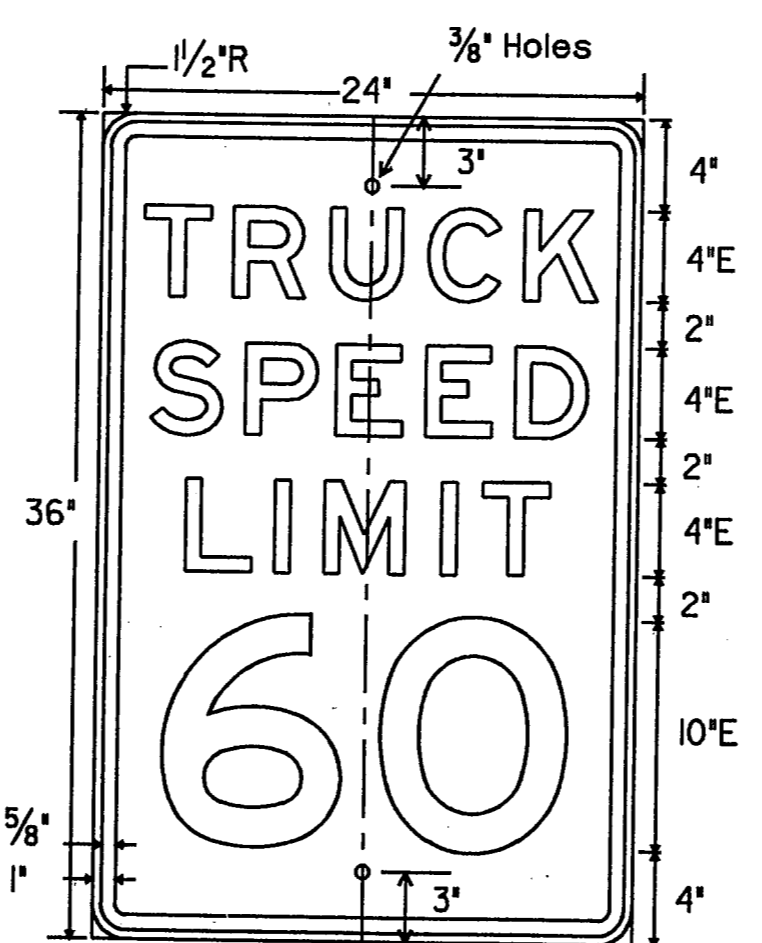
R2-4T Legend - Black Background - White Refl. 138" X 42" (For Non-Interstate Highways)



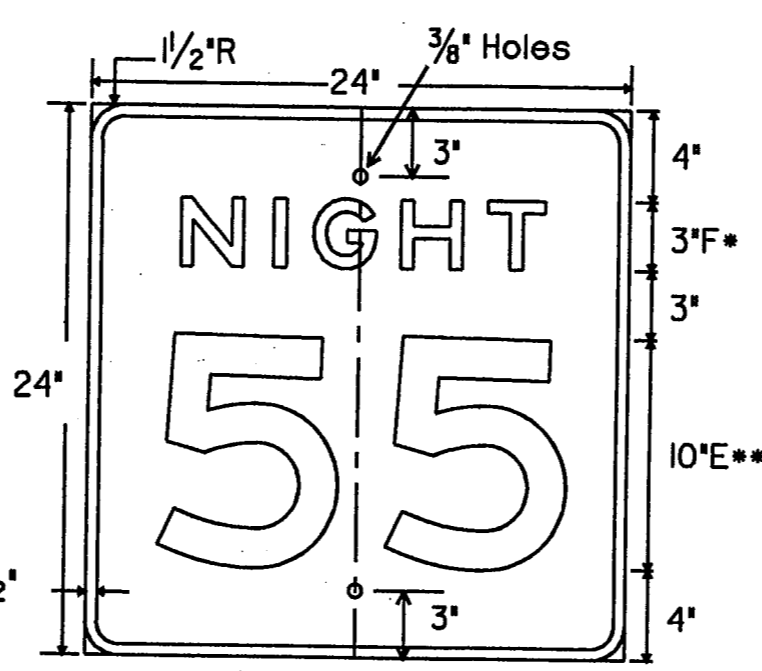
FR2-4T Legend - Black Background - White Refl. 240" X 78" (For Interstate Highways Only)



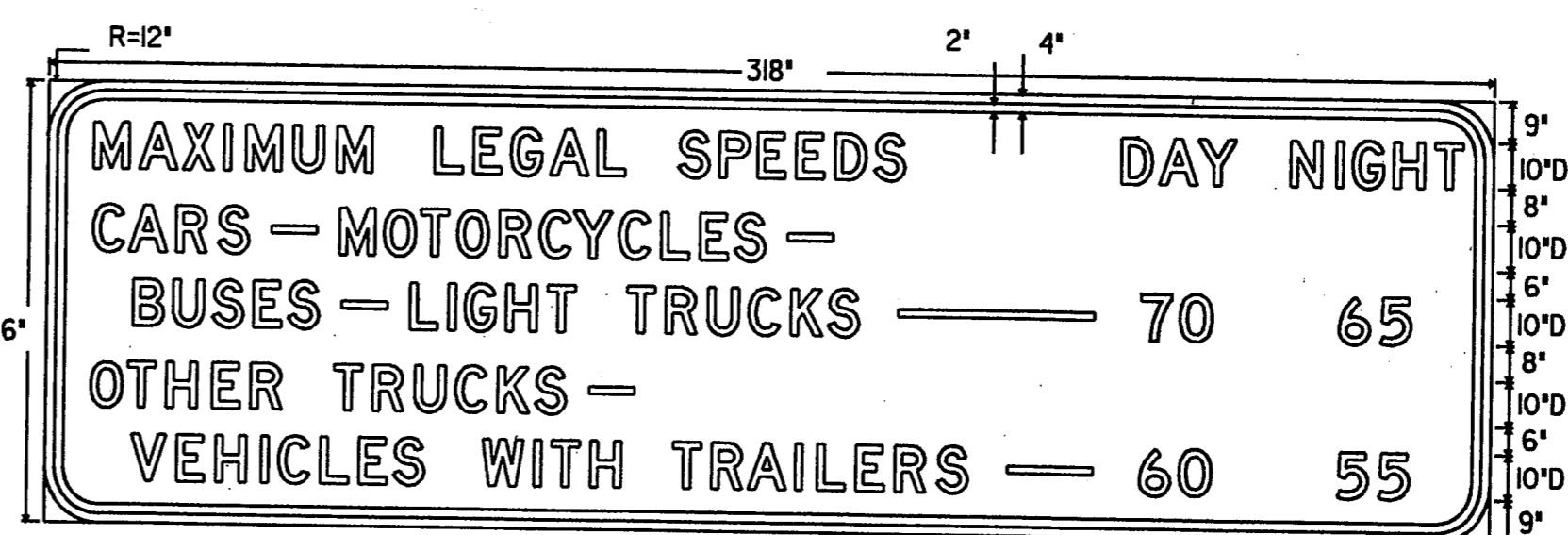
FR2-4a Legend - Black Background - White Refl. 48" X 96"



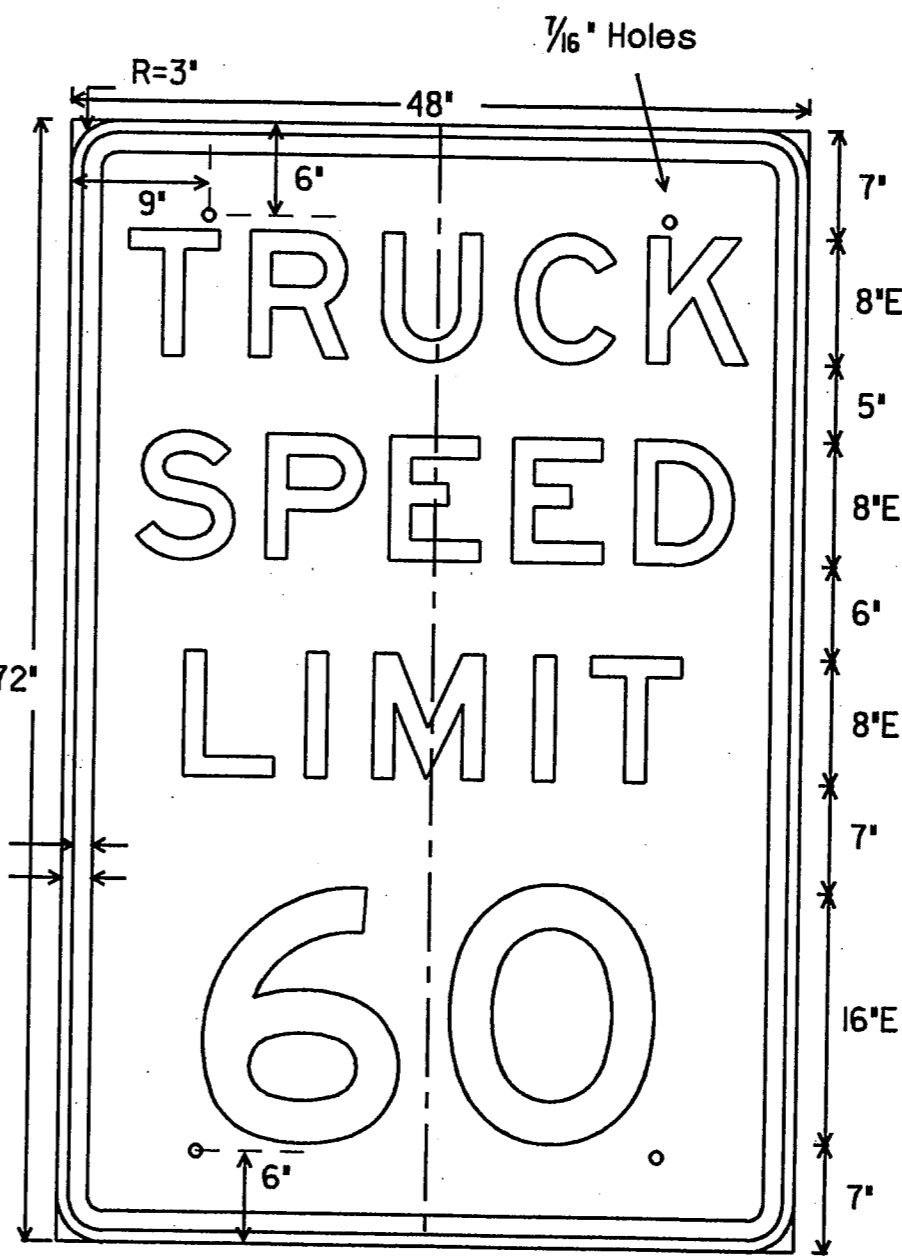
R2-2a Legend - Black Background - White Refl. 24" X 36"



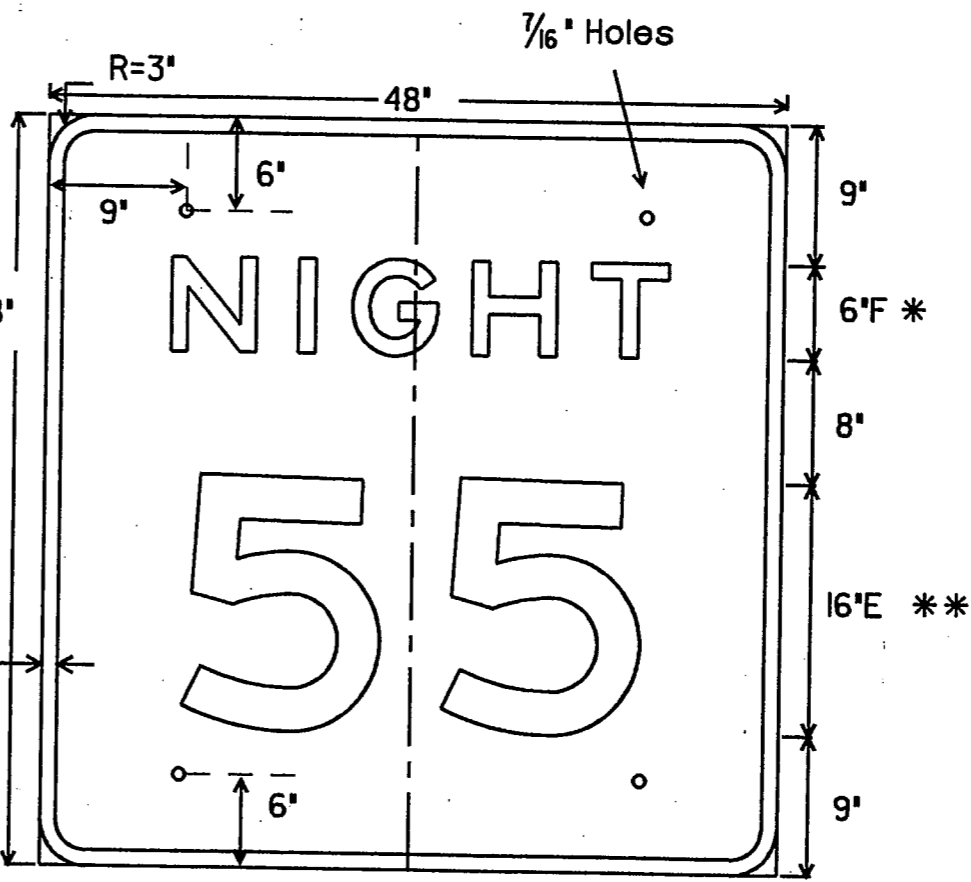
R2-3 Legend - White Refl. Background - Black 24" X 24"



FR2-4Ta Legend - Black Background - White Refl. 318" X 96"

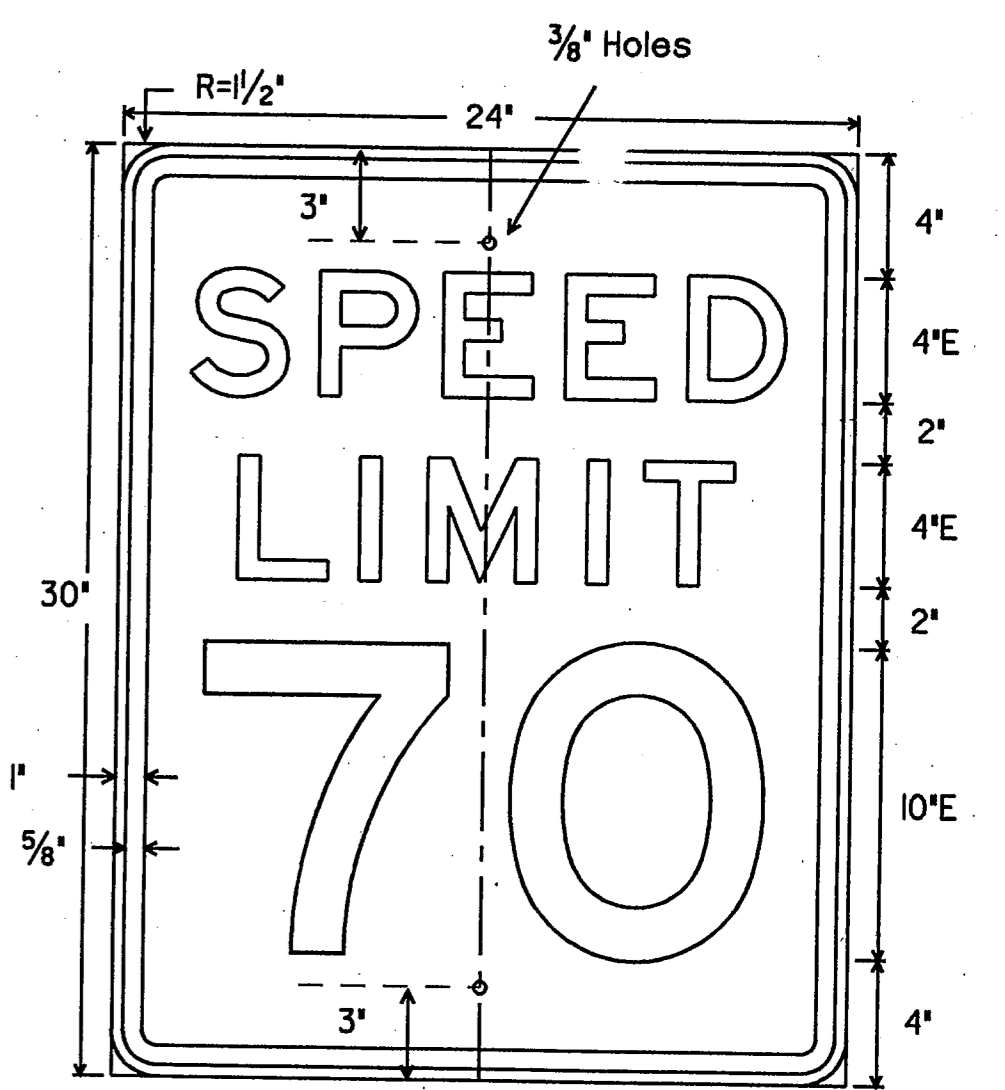


FR2-2a Legend - Black Background - White Refl. 48" X 72"

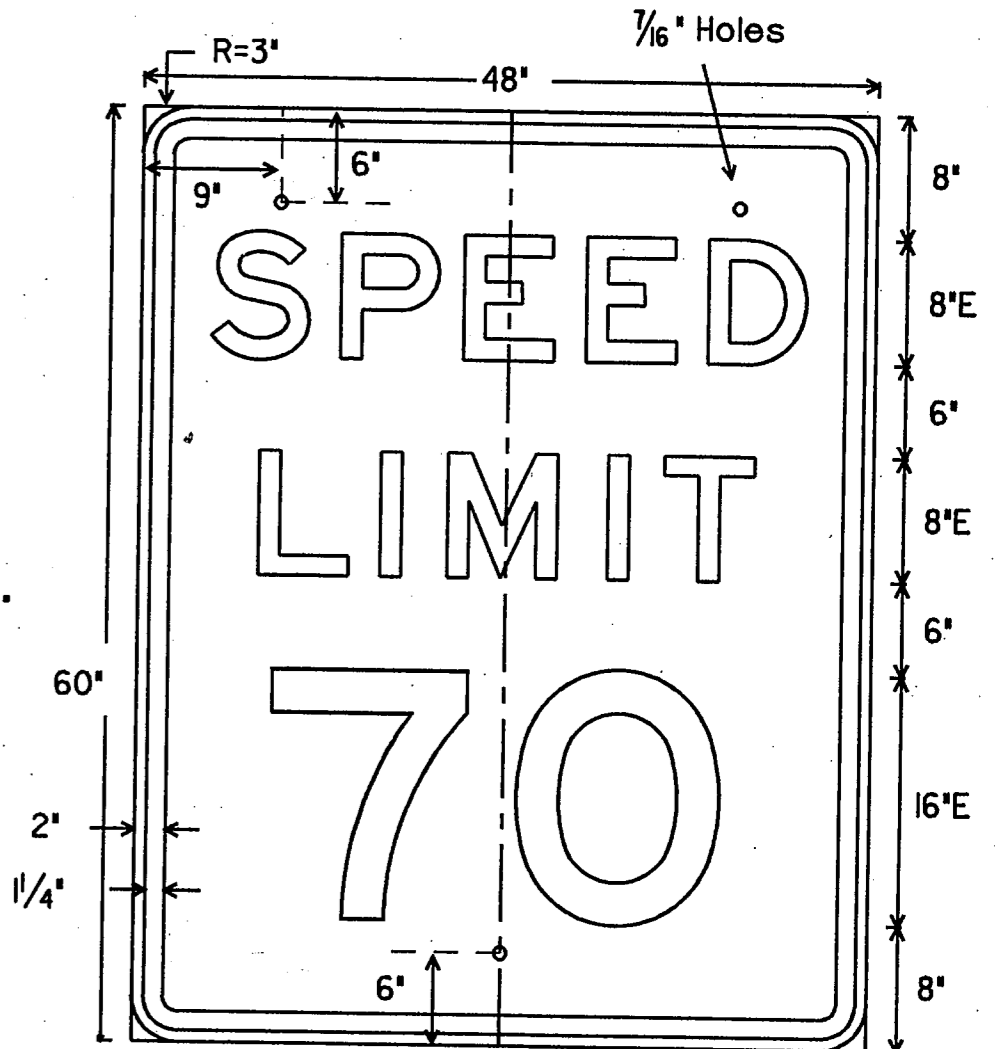


FR2-3 Legend - White Refl. Background - Black 48" X 48"

** optically space numerals about vertical centerline * increase spacing 50%



R2-1 Legend - Black Background - White Refl. 24" X 30"



FR2-1 Legend - Black Background - White Refl. 48" X 60"

SPECIFICATION REFERENCE TABLE	
MATERIALS AND TESTS DIVISION SPECIFICATION	
ALUMINUM SIGN BLANKS	D-9-710 Δ
REFLECTIVE SHEETING, TYPE A (ENGINEER GRADE)	D-9-8300
VINYL NON-REFLECTIVE DECAL SHEETING	D-9-8320

GENERAL NOTES:

The alphabets and lateral spacing between letters and numerals shall conform with the Texas 'Manual on Uniform Traffic Control Devices for Streets and Highways', latest edition, and any approved changes thereto. Lateral spacing of text shall provide a balanced appearance. All materials shall conform to Department Specifications. Legend (except where noted), shall be black and applied by screening process, cut-out vinyl non-reflective decal sheeting or combination thereof. Legend on FR2-3 shall be applied by reverse screening process, cut-out black vinyl non-reflective decal sheeting and/or cut-out white reflective sheeting or combination thereof. Background shall be reflective sheeting (Type A). Sign blanks shall be one piece 0.080 inch thick sheet aluminum alloy (Type A), Δ unless otherwise noted elsewhere in the plans.

FINAL RECORD DRAWING Date: 12/25/99 ISSUE DATE: 11-26-96



STANDARD PLANS TEXAS DEPARTMENT OF TRANSPORTATION Traffic Operations Division

REGULATORY SIGNS

R(4)-95A (MOD.)

ORG DRAW DATE: August 1995	DN: LR	CR:	DN: DN	CR:	REG NO:
12-95	6				40
11-96 Δ					
COUNTY				CONTROL SECTION	JOB
					7D