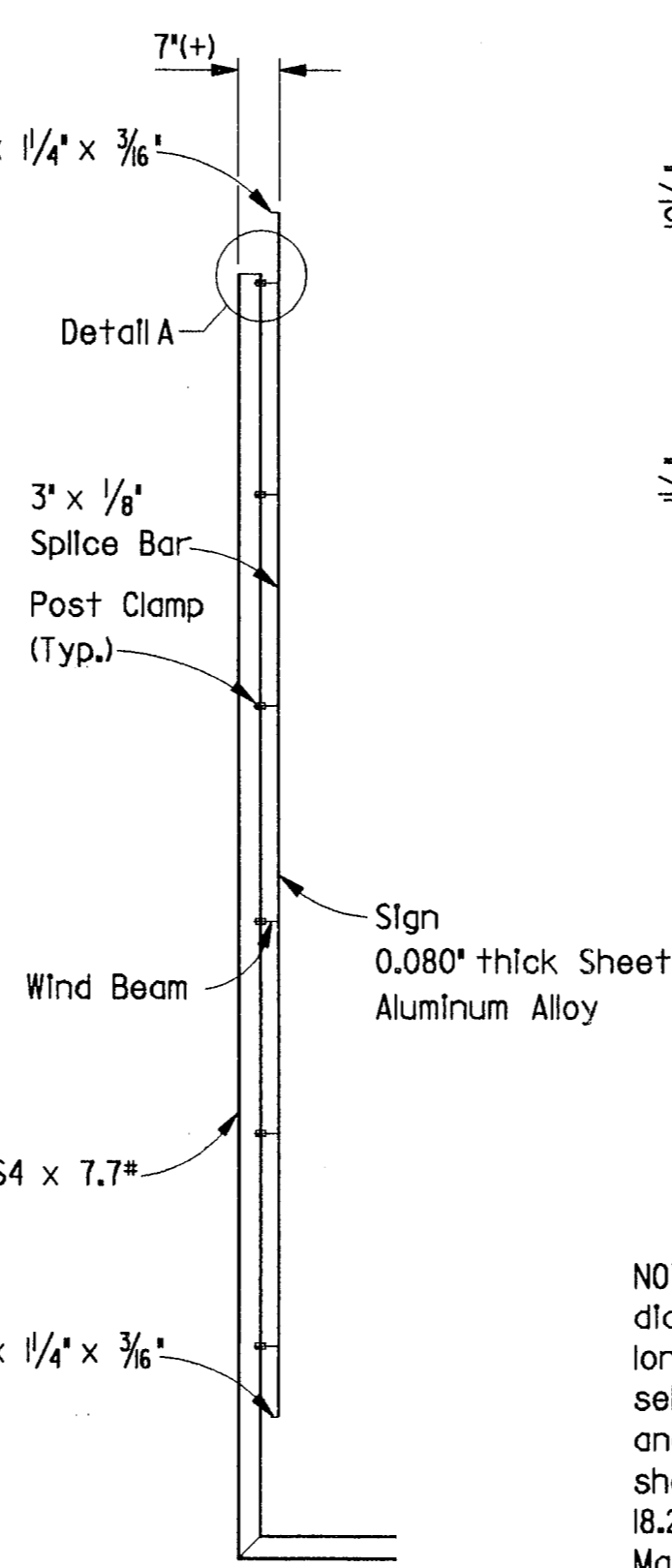


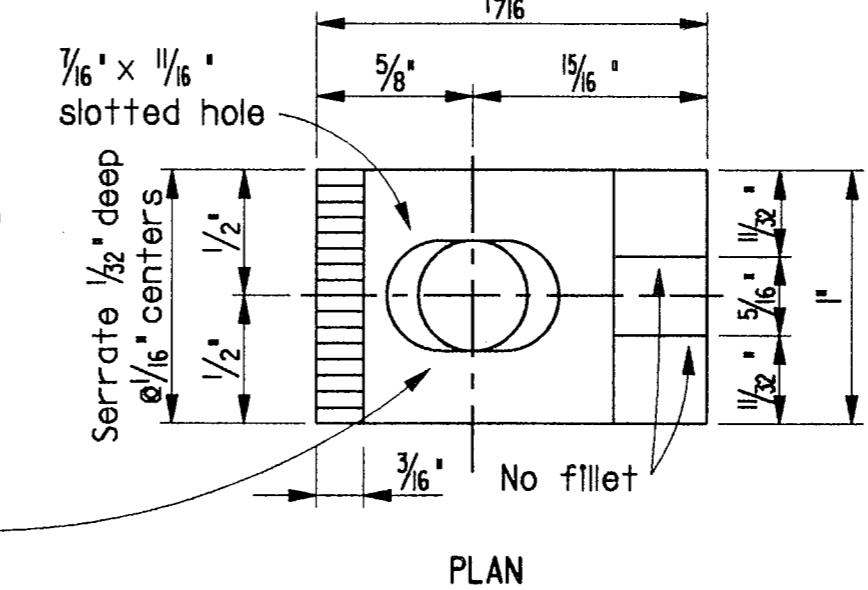
REAR VIEW  
SHEET ALUMINUM SIGNS WITH WIND BEAMS

Signs over 8.0 feet deep may have a single horizontal splice, and may be shipped in two pieces.



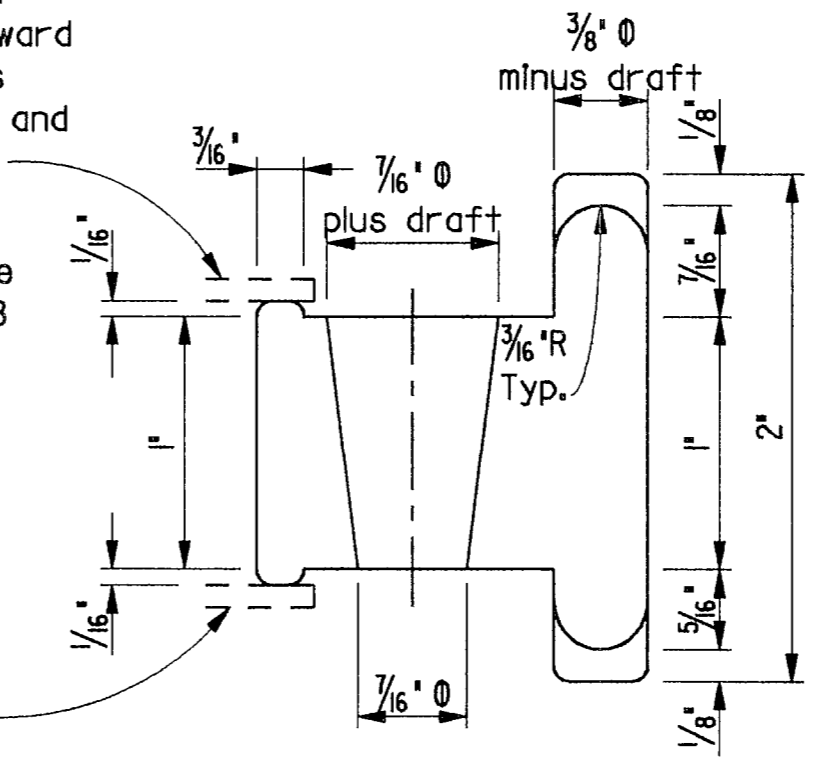
SIDE VIEW

NOTE: Centerline of hole for 3/8\"/>



PLAN

Beam flange of W shapes: 7/16\"/>

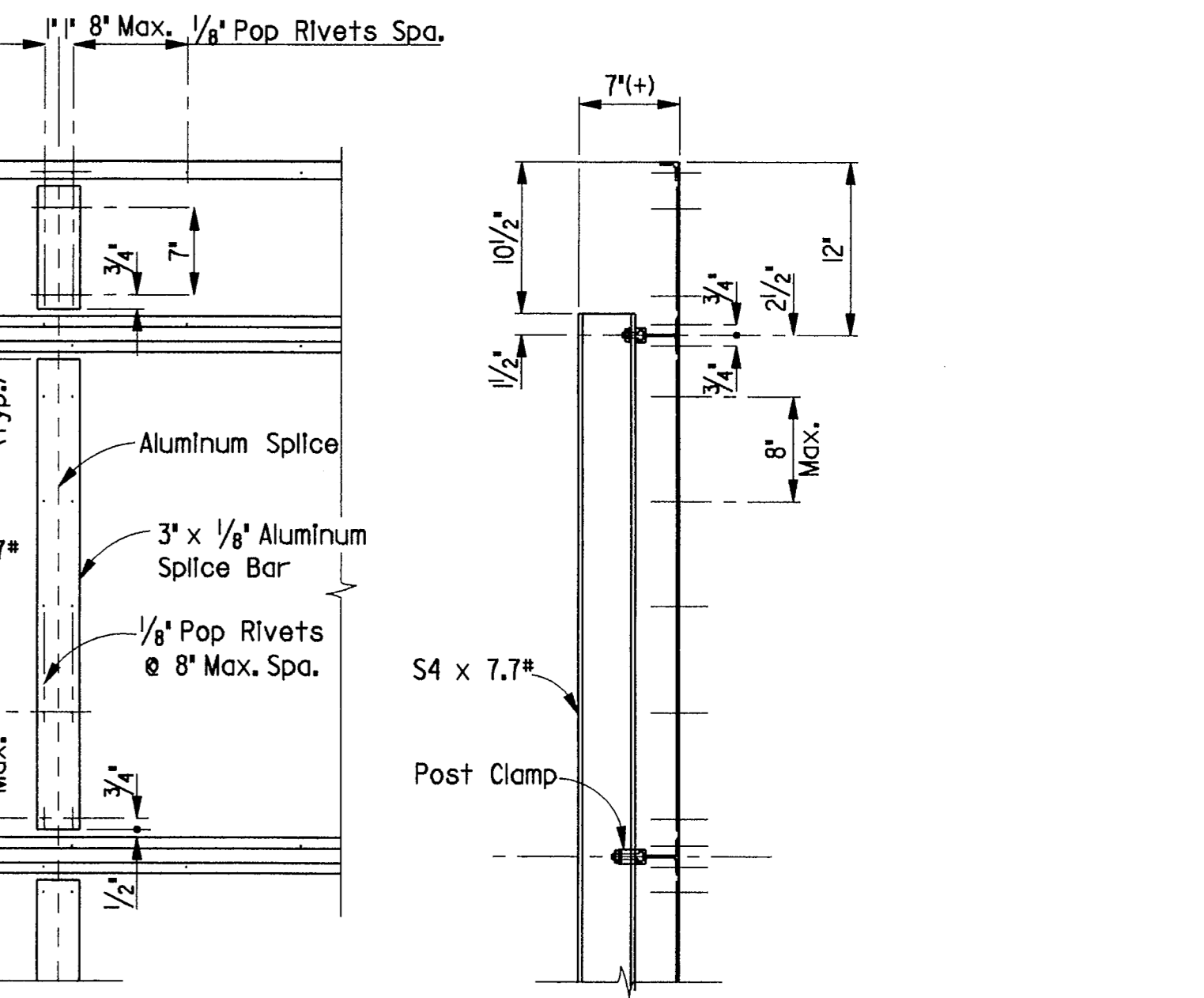


ELEVATION

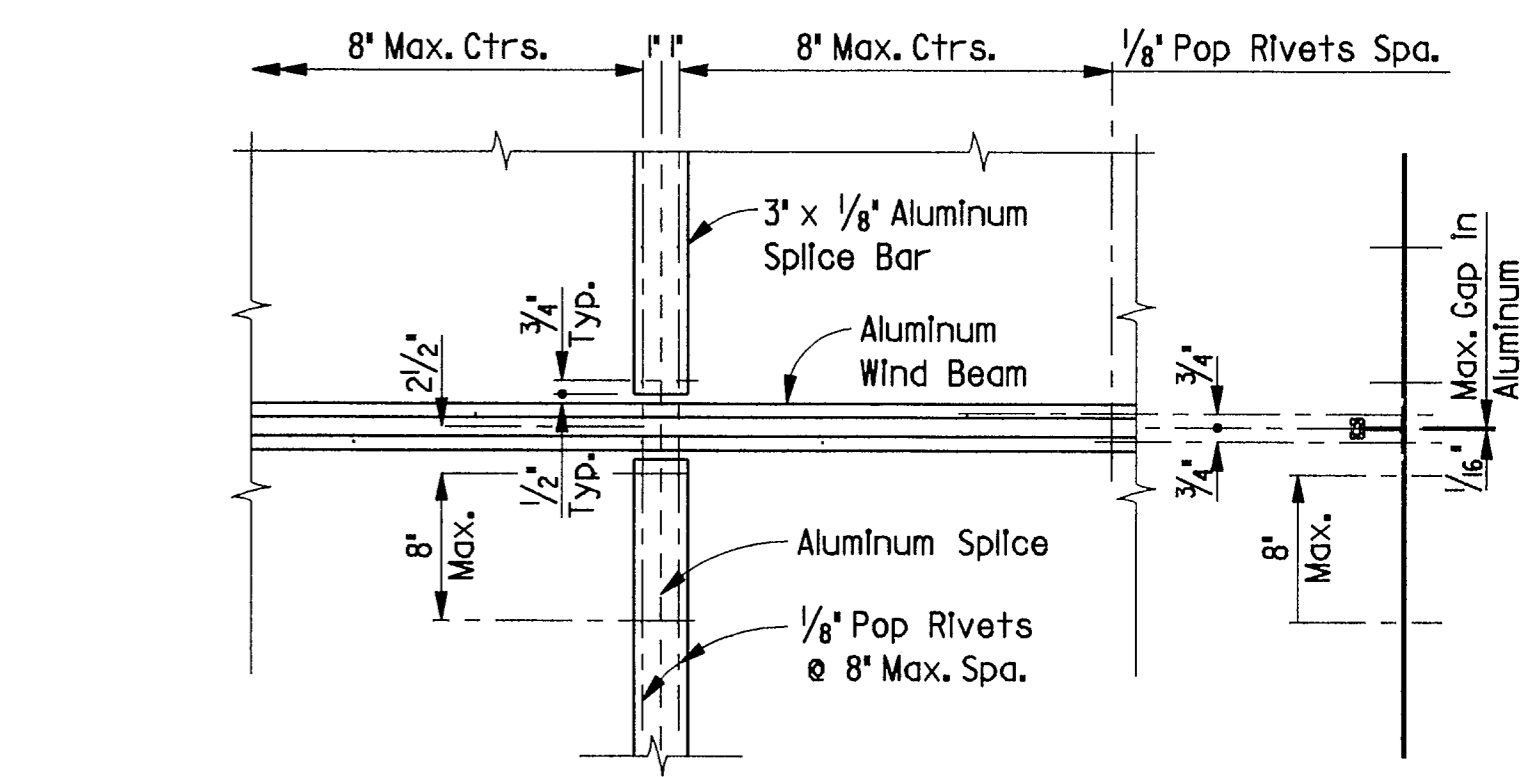
Post Clamp to be ASTM B26 or B108 cast Aluminum alloy 356.0-T6 (173 lbs each)

Beam flange of W and S shapes: 3/8\"/>

POST CLAMP DETAIL



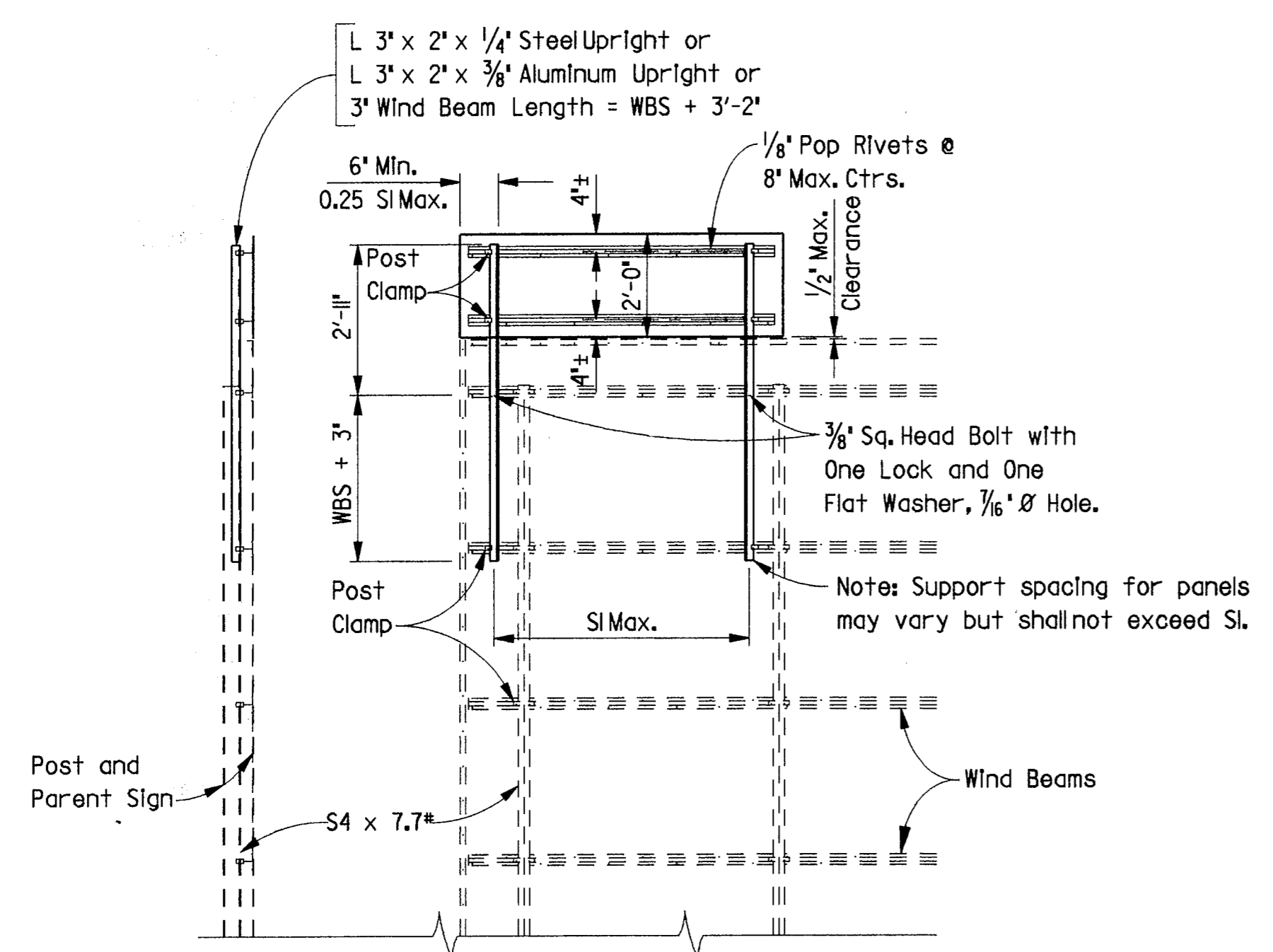
DETAIL B



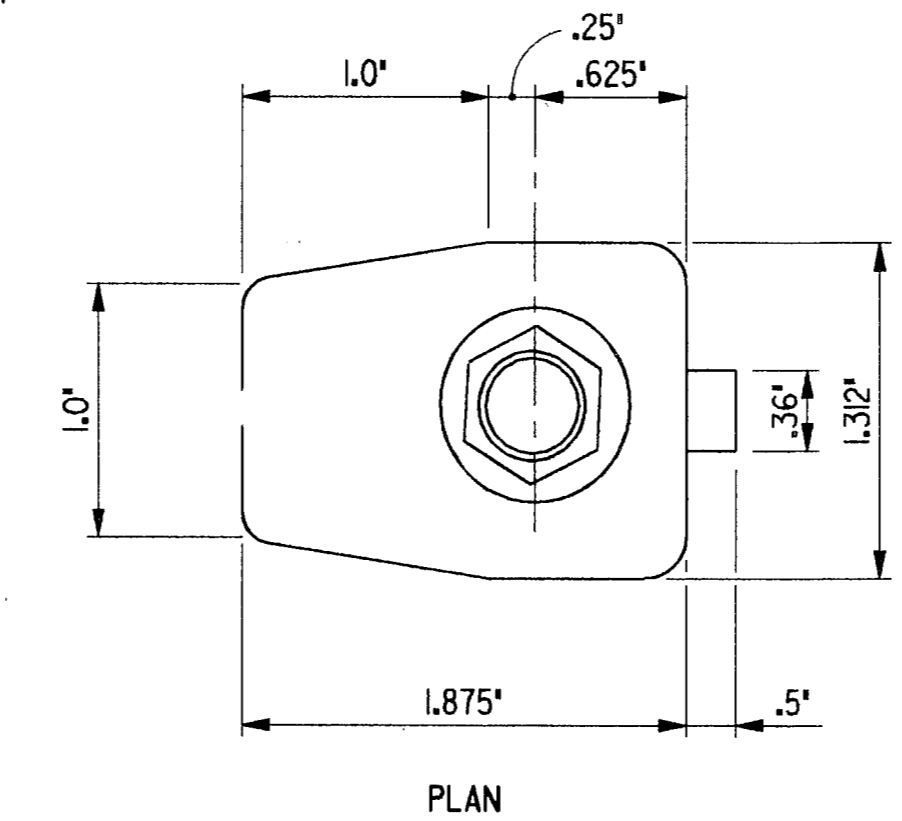
DETAIL C

POST CLAMP BOLT DETAIL

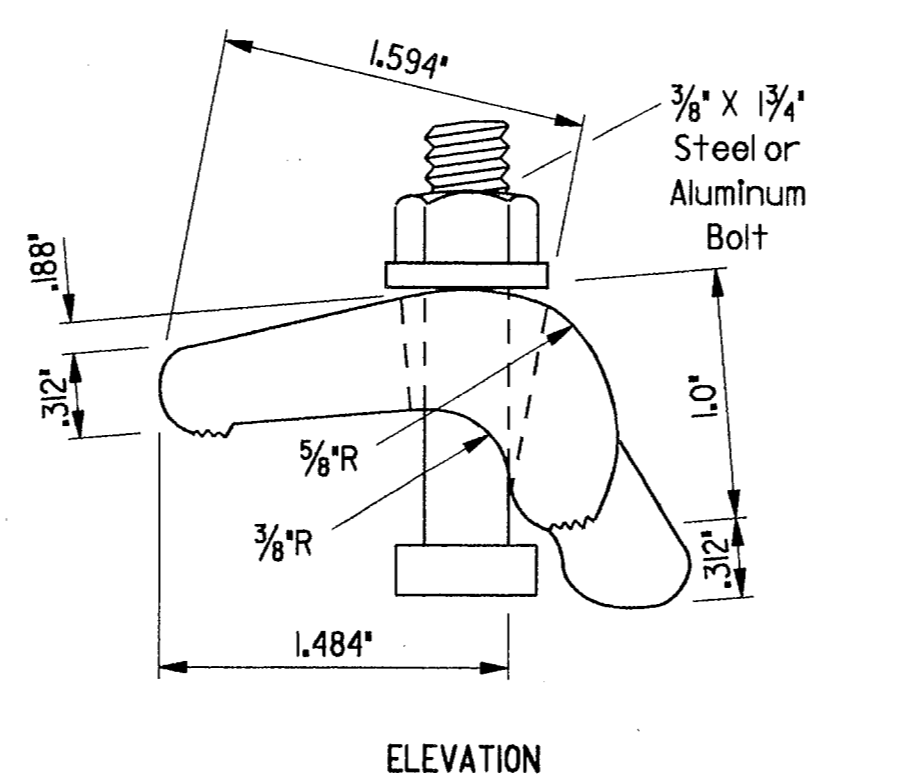
GENERAL NOTES:  
Materials, fabrication, construction and erection shall conform with the requirements of the Departments Material Specifications.  
All structural steel, bolts, nuts, washers, and pop rivets shall be galvanized after fabrication.  
Refer to Sheet SB(SWL-1) (MOD.) for details not shown.



EXIT NUMBER PANEL MOUNTING DETAILS

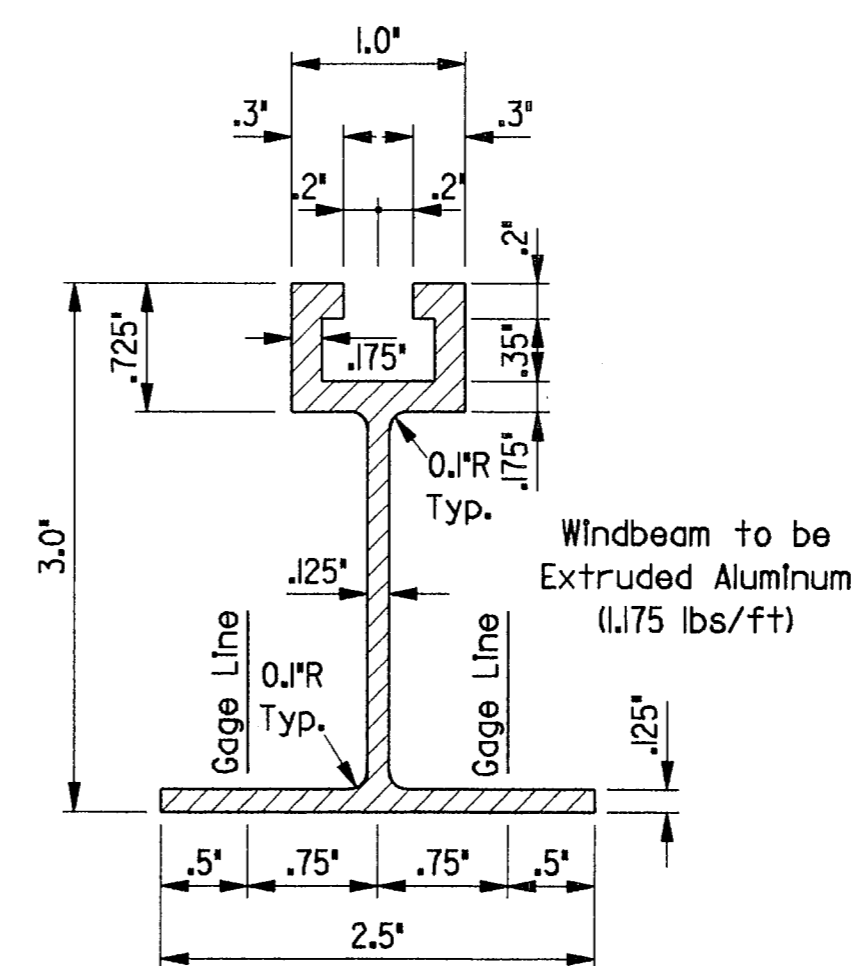


PLAN



ELEVATION

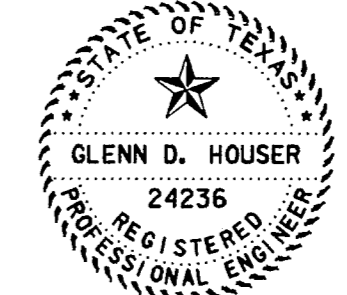
ALTERNATE POST CLAMP DETAIL



WINDBEAM CROSS SECTION

FINAL RECORD  
DRAWING  
Date: 12/25/99

ISSUE DATE: 04-09-97



THE SEAL APPEARING ON THIS DOCUMENT WAS AUTHORIZED BY GLENN D. HOUSER, P.E. 24236 ON OCTOBER 16, 1997. ALTERATION OF A SEALED DOCUMENT WITHOUT NOTIFICATION TO THE RESPONSIBLE ENGINEER IS AN OFFENSE UNDER THE TEXAS ENGINEERING PRACTICE ACT.

STANDARD PLANS		TEXAS DEPARTMENT OF TRANSPORTATION		Traffic Operations Division	
STRUCTURAL MOUNTING DETAILS FOR OVERHEAD SIGN BRIDGES					
SMD(P-1) (MOD.)					
ORIG. DRAW. DATE:	DN-	CK-	DW-	CK-	NEG. NO.:
REVISIONS	STATE DISTRICT	FEDERAL REGION	FEDERAL AID PROJECT	SHEET	
11-96 (ALL)	6			4-97	
	COUNTY	CONTROL SECTION	JOB	HIGHWAY	

DN:LR	DATE:
CK:GW	
DW:DN	
CK:MT	
LEVELS DISPLAYED	FILE:
1 2 3 4 5 6 7 8 9 10 11 12 13 14 15 16	458hplc/user/d580504
17 18 19 20 21 22 23 24 25 26 27 28 29 30 31 32	
33 34 35 36 37 38 39 40 41 42 43 44 45 46 47 48	
49 50 51 52 53 54 55 56 57 58 59 60 61 62 63	