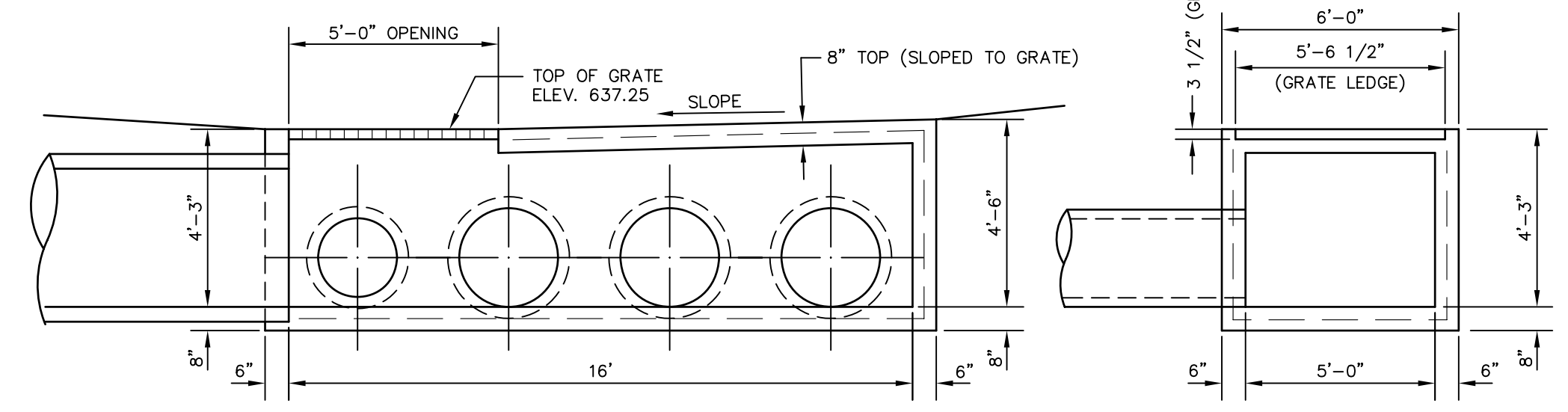


PLAN VIEW

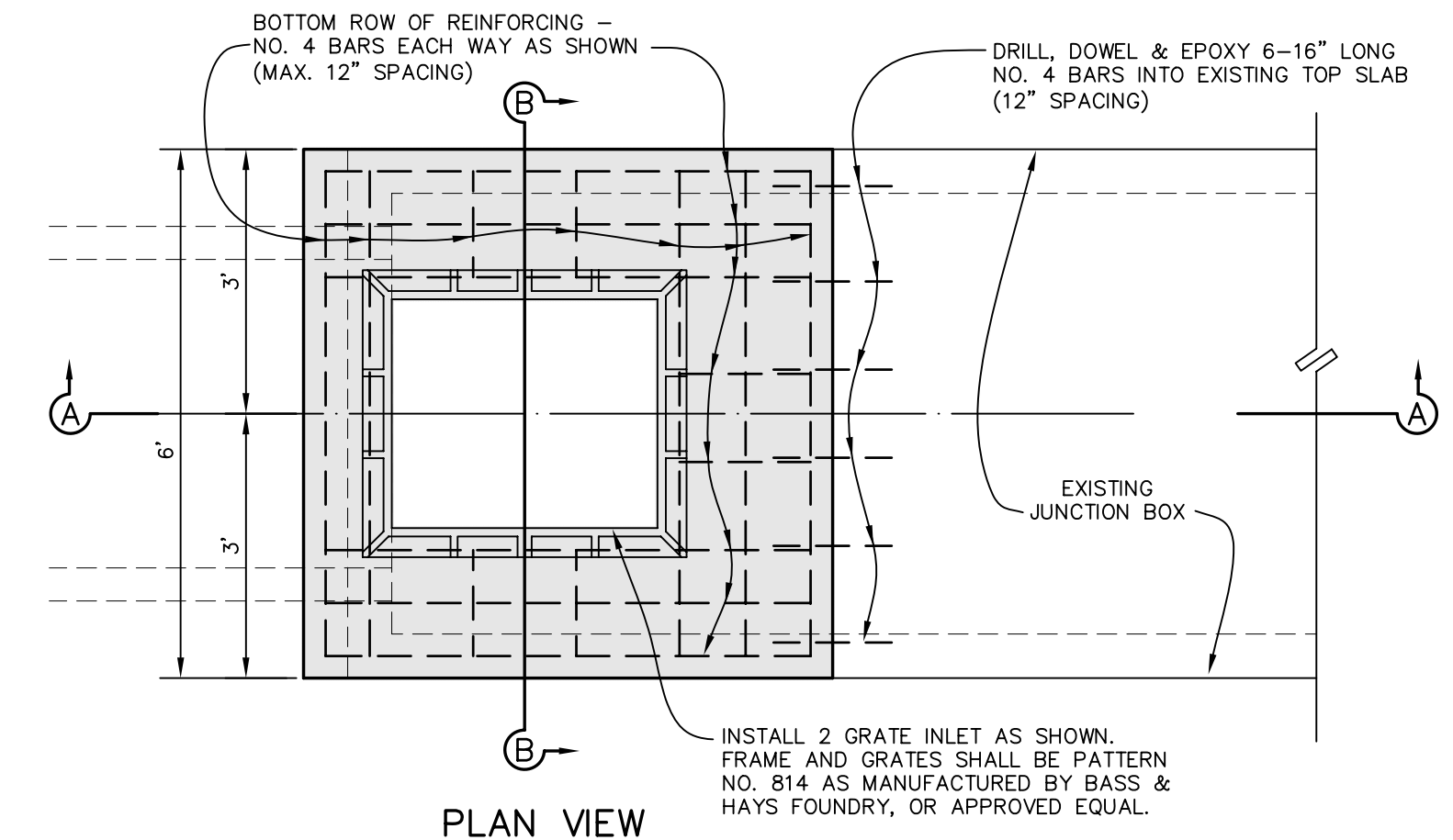


SECTION A-A

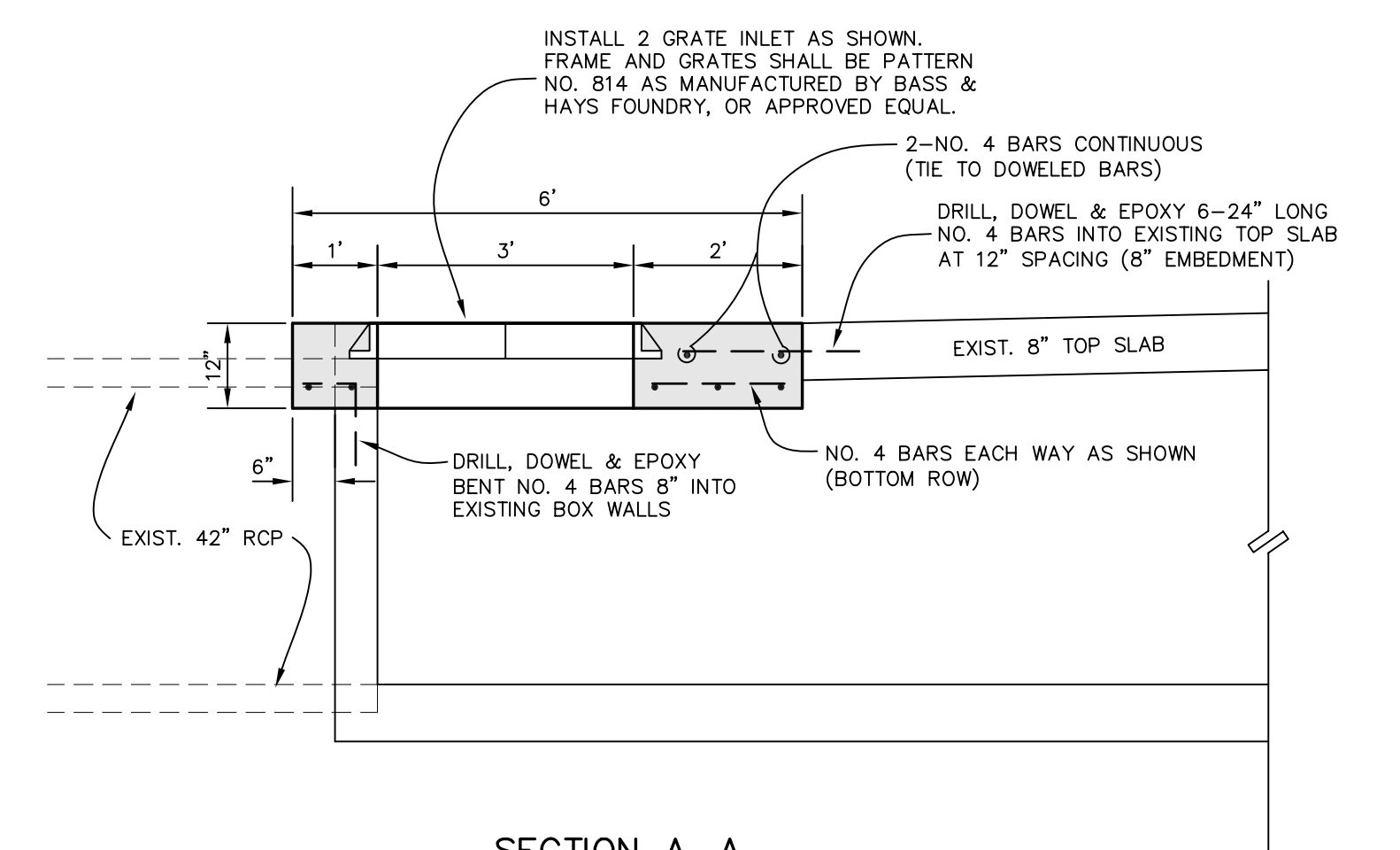
SECTION B-B

- NOTES:
1. JUNCTION BOX TO BE CONSTRUCTED TO DIMENSIONS SHOWN HERE. REFER TO TxDOT DETAILS FOR GRATE AND ANCHOR DETAILS.
 2. REINFORCING STEEL IN SIDES, TOP & BOTTOM TO BE NO. 4 BARS AT 12" O.C. E.W.

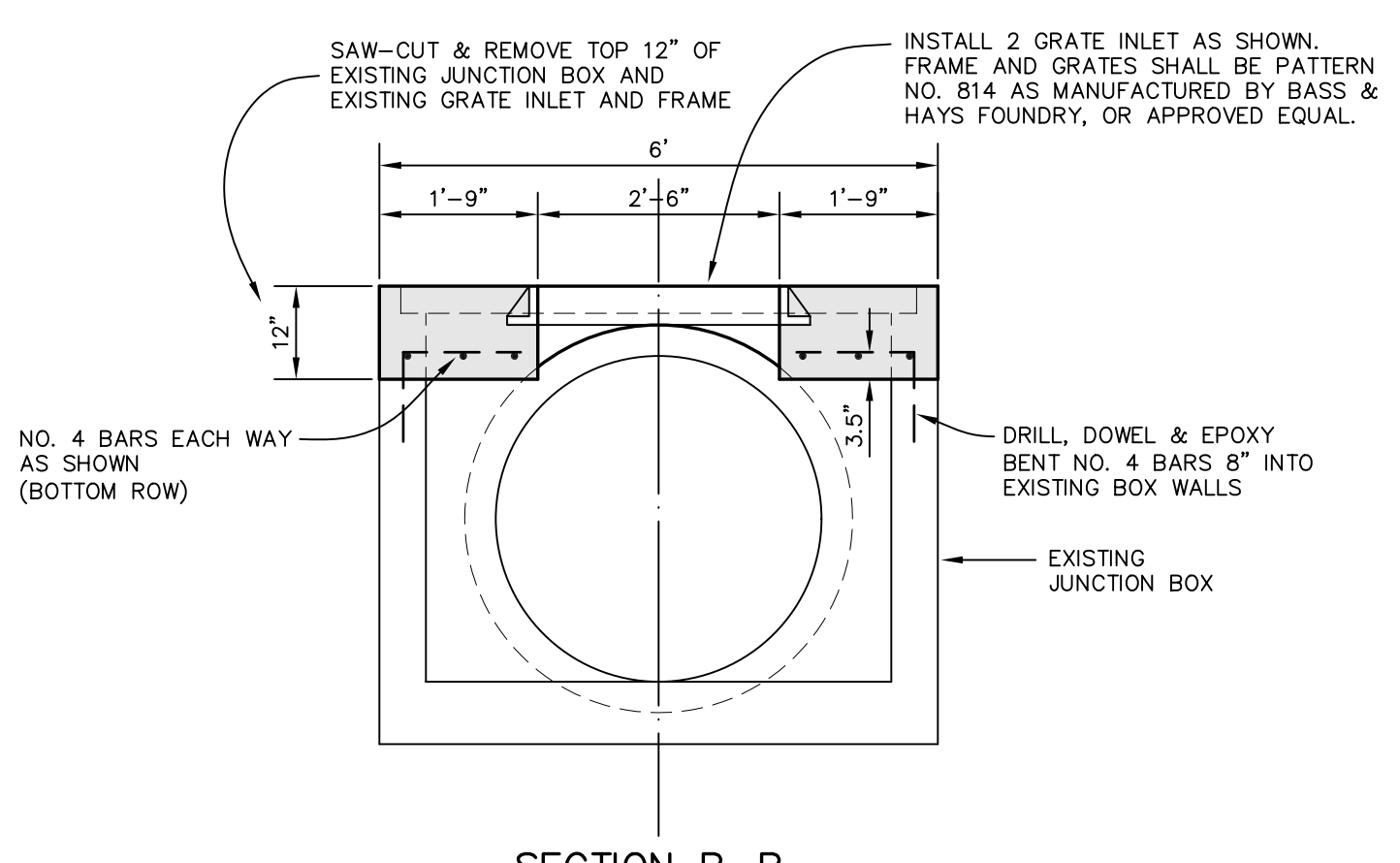
JUNCTION BOX DETAIL WITH TYPE H GRATE INLET
NOT TO SCALE



PLAN VIEW



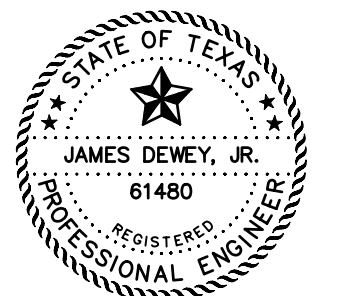
SECTION A-A



SECTION B-B

GRATE INLET REPLACEMENT DETAILS
NOT TO SCALE

REVISIONS:	
9/02/09	AS BUILT



SHEET TITLE:
STORM DRAIN DETAILS
HANGER ADDITION PLANS FOR
EXECUTIVE HANGAR OWNERS ASSOCIATION OF ADDISON
ADDISON AIRPORT
ADDISON, TEXAS

PREPARED BY:
JDJR ENGINEERS AND CONSULTANTS
ENGINEERS • SURVEYORS • LAND PLANNERS
2500 Texas Drive Suite 100 Irving, Texas 75062
Tel 972-252-5357 Fax 972-252-8958

"AS-BUILT"
THIS AS-BUILT DRAWING IS BASED ON INFORMATION OBTAINED FROM BUILDING CONTRACTORS DURING CONSTRUCTION AS PROVIDED TO JDJR ENGINEERS & CONSULTANTS, INC.
JDJR ENGINEERS & CONSULTANTS, INC. DOES NOT GUARANTEE THE ACCURACY OR COMPLETENESS OF THESE RECORDS.

DATE: APR. 8, 2008	DRAWN BY: SAS	SHEET NO.
SCALE: AS SHOWN	CHECKED BY: JDJR	C8A OF 10