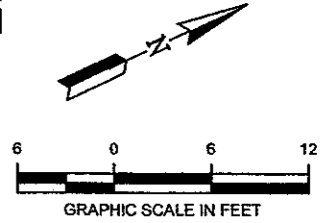
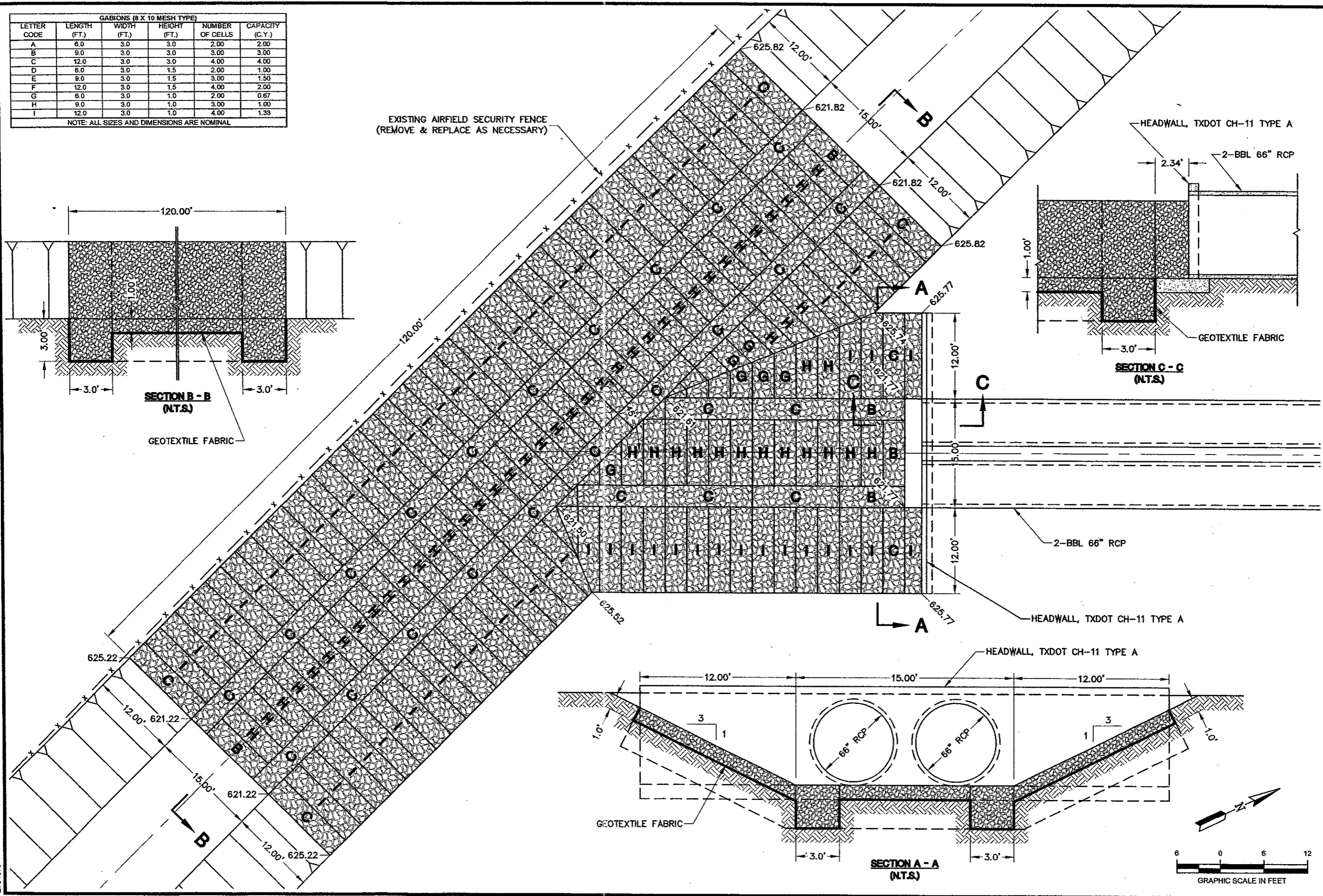
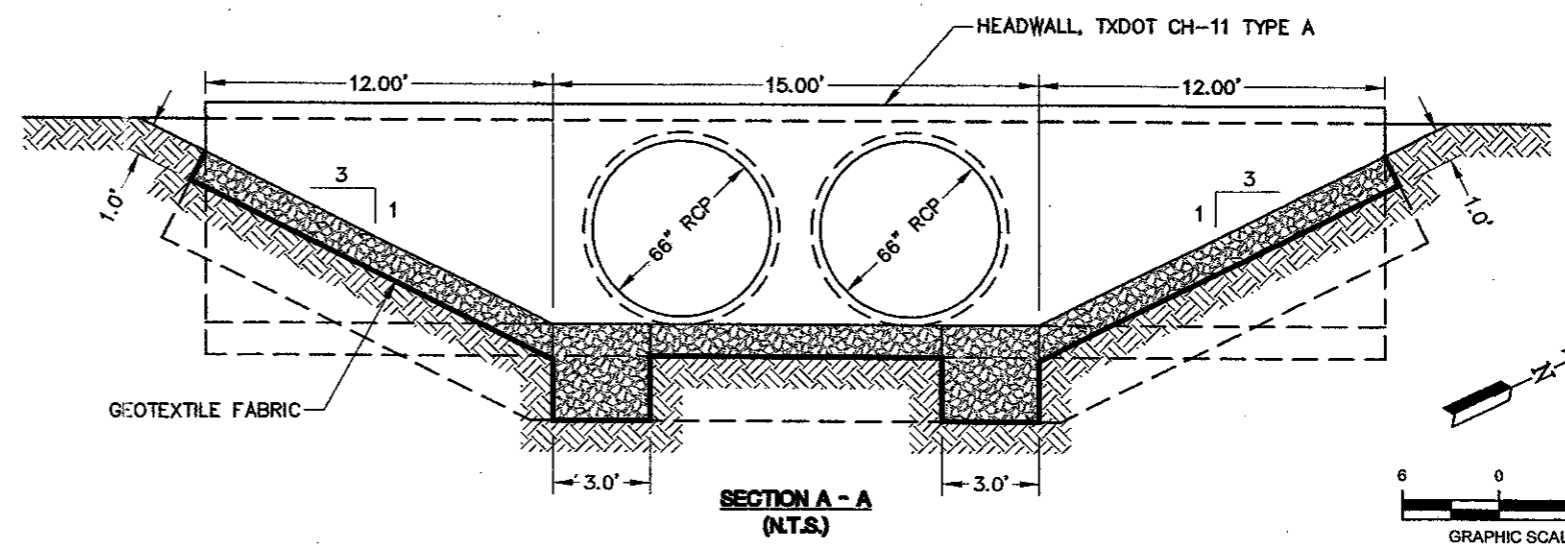
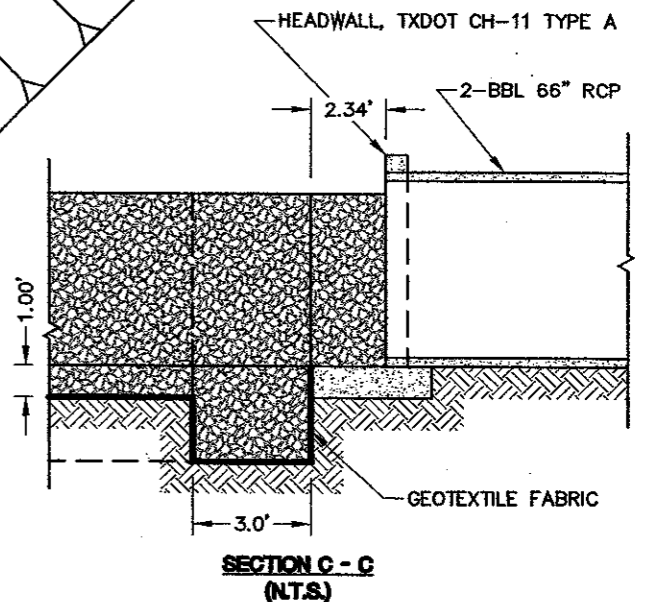
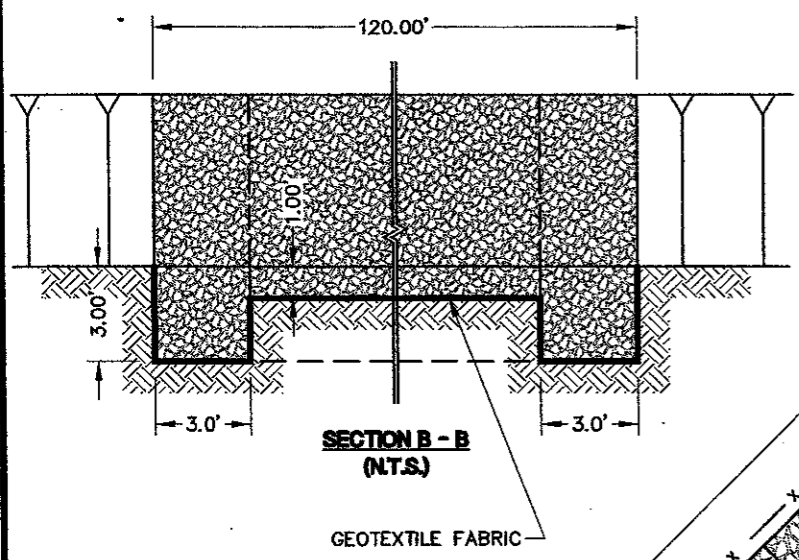


COPYRIGHT © URS Greiner Woodward Clyde Inc. 2000 ALL RIGHTS RESERVED

GABIONS (8 X 10 MESH TYPE)				
LETTER CODE	LENGTH (FT.)	WIDTH (FT.)	HEIGHT (FT.)	CAPACITY (C.Y.)
A	6.0	3.0	3.0	2.00
B	9.0	3.0	3.0	3.00
C	12.0	3.0	3.0	4.00
D	6.0	3.0	1.5	2.00
E	9.0	3.0	1.5	3.00
F	12.0	3.0	1.5	4.00
G	6.0	3.0	1.0	2.00
H	9.0	3.0	1.0	3.00
I	12.0	3.0	1.0	4.00

NOTE: ALL SIZES AND DIMENSIONS ARE NOMINAL



PROJECT NAME	ADDISON AIRPORT
DRAWING TITLE	OUTLET STRUCTURE
DRAWING NO.	C5.3
DATE	12/8/00
PROJECT NO.	E701075
BID NO.	E701075.00
DESIGN	K.H./T.S.
DRAWN	K.H.
CHECKED	J.S.
SCALE	AS SHOWN

XREF: XREF:

E701075