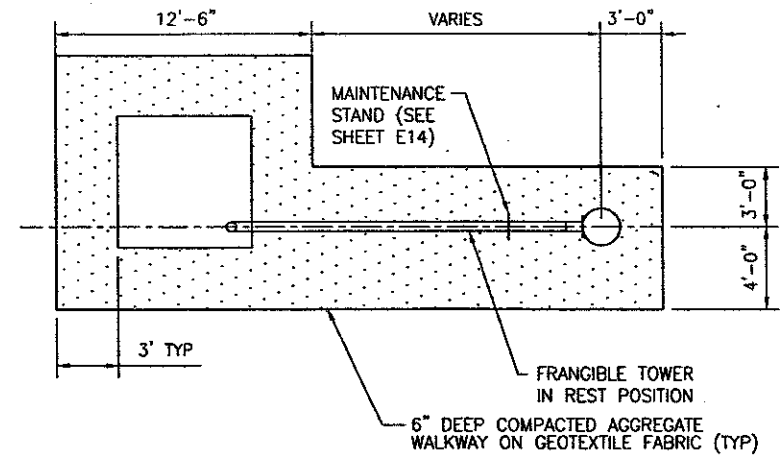
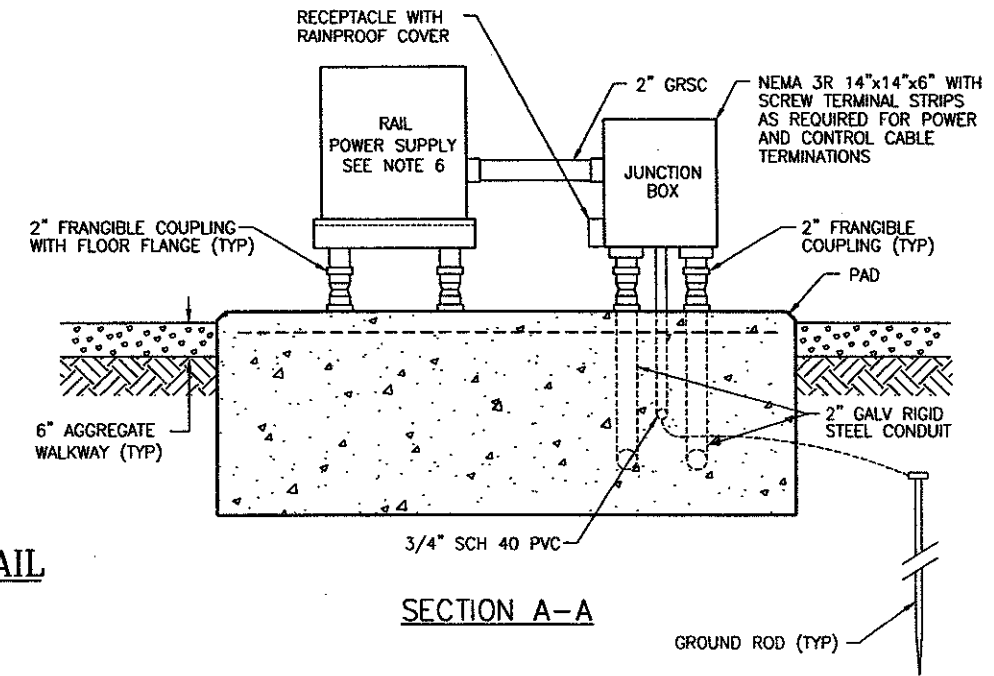


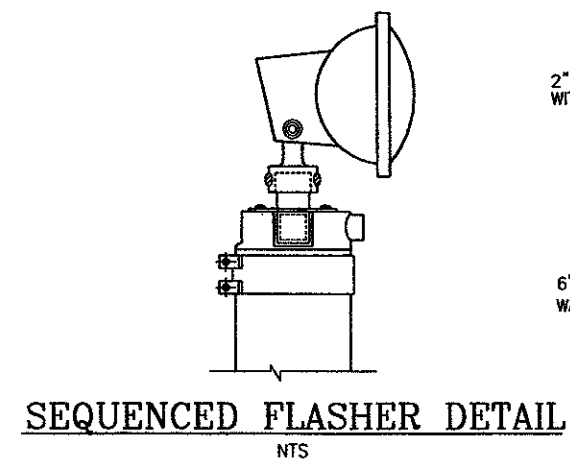
PLAN



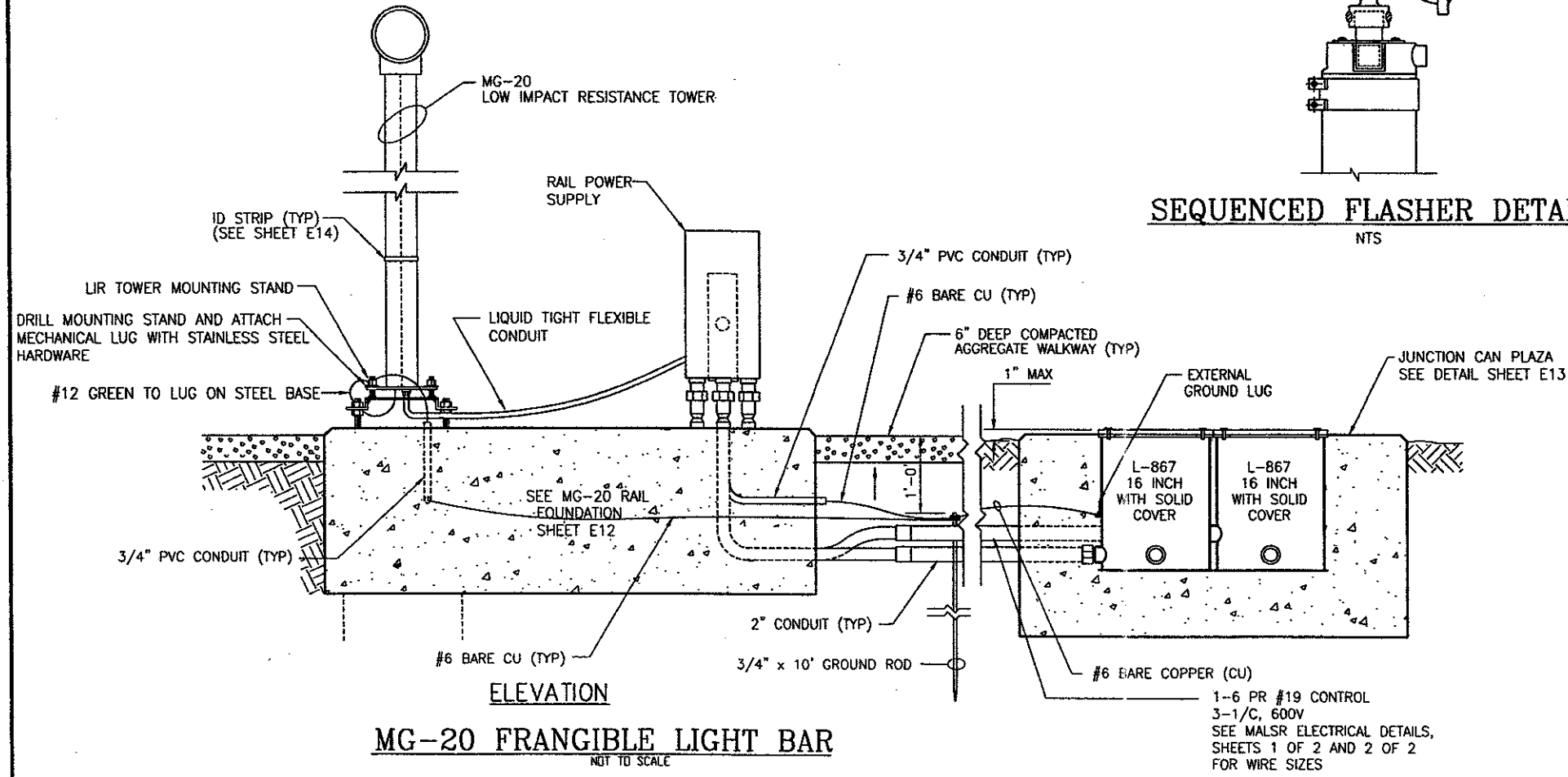
RAIL AGGREGATE WALKWAY
NOT TO SCALE



SECTION A-A



SEQUENCED FLASHER DETAIL
NTS



MG-20 FRANGIBLE LIGHT BAR
NOT TO SCALE

- NOTES:
1. ALL WIRING BETWEEN FLASHER POWER SUPPLY AND FLASHER HEAD SHALL HAVE 3000 VOLT INSULATION.
 2. CONTRACTOR SHALL INSTALL NEW MG-20 FOUNDATION, MG-20 LIR TOWER, FLASHER HEAD WITH MOUNTING ASSEMBLY, JUNCTION BOX, AND RAIL POWER SUPPLY.
 3. CONTRACTOR SHALL WIRE FLASHER HEAD ASSEMBLY TO RAIL POWER SUPPLY USING NEW WIRE AND LIQUID TIGHT FLEXIBLE CONDUIT AS SHOWN.
 4. CONTRACTOR SHALL INSTALL MAINTENANCE STANDS AT EACH RAIL STATION AND PROVIDE 6" DEEP COMPACTED AGGREGATE ON GEOTEXTILE FABRIC WALKWAYS AS SHOWN.
 5. CONTRACTOR SHALL REPAIR ANY DAMAGE TO EXISTING AGGREGATE ACCESS ROAD WHETHER FROM EQUIPMENT OR REMOVAL OF EXISTING LIR FOUNDATIONS.
 6. RAIL POWER SUPPLY SHALL BE COMPATIBLE WITH EXISTING MALSr POWER AND CONTROL STATION.

PROJECT NAME	ADDISON AIRPORT
PROJECT TITLE	RUNWAY 15 ESA GRADING
DRAWING TITLE	RAIL STATION DETAILS (MG-20)
DRAWING NO.	E10
DATE	2/9/01
TRACED NO.	
BID NO.	E701044.00
URS NO.	
DESIGN	
DRAWN	
CHECKED	
SCALE	
DATE	
REVISIONS	
BY	
AUTH	
PRELIMINARY NOT FOR CONSTRUCTION SUBJECT TO CHANGE WITHOUT NOTICE AVIATION ALLIANCE, INC. 4100 Amon Carter Boulevard, Suite 108 Fort Worth, TX 76155 www.aaicorp.com URS Greiner Woodward Clyde Consulting Engineers 2001 Ross Street Fort Worth, TX 76104 APPROVED	