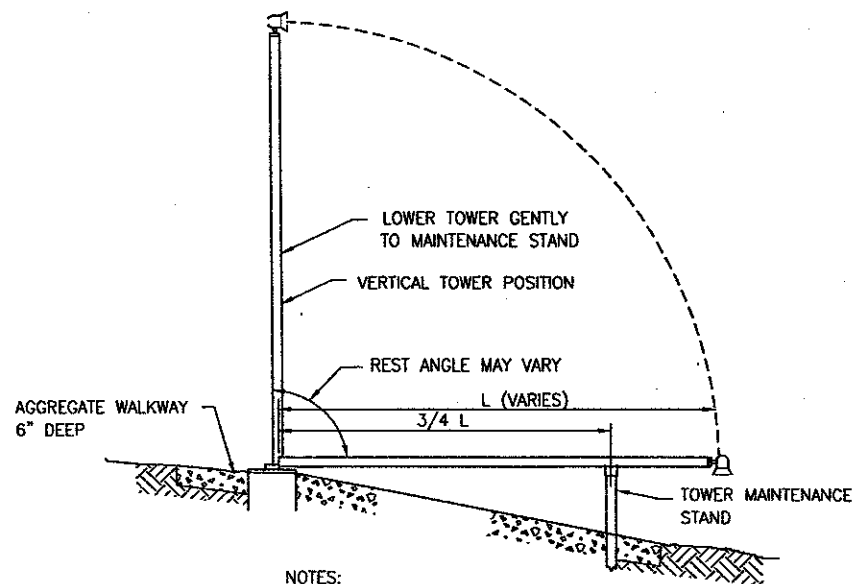


FRONT ELEVATION

MAINTENANCE STAND

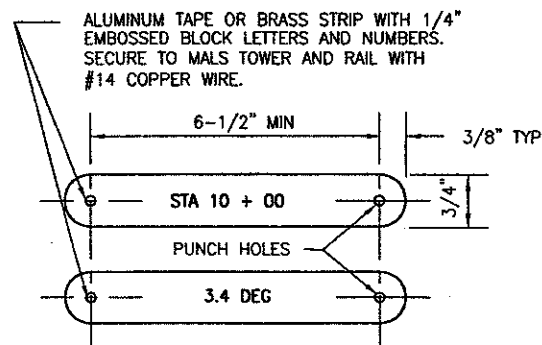
NOT TO SCALE



- NOTES:
1. THE TOWER MAINTENANCE STAND MAY BE LOCATED AT A DIFFERENT POINT DICTATED BY LOCAL CONDITIONS.
 2. ONE LOWERING DEVICE TO BE SUPPLIED WITH SYSTEM.

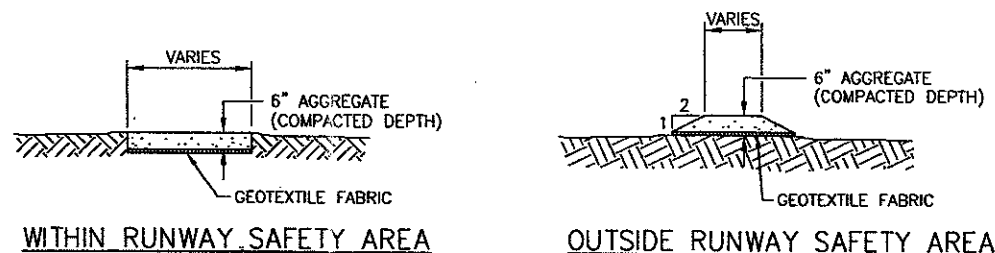
MAINTENANCE STAND LOCATION

NOT TO SCALE



STATION & VERTICAL ANGLE MALS IDENTIFICATION STRIPS

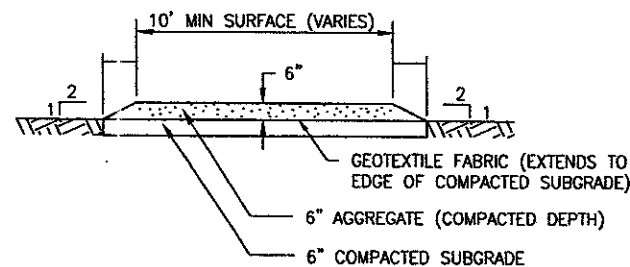
NOT TO SCALE



NOTE: CONNECT STATION WALKWAY TO EXISTING WALKWAY/ROADWAY WITH 4' WIDE WALKWAY SECTION.

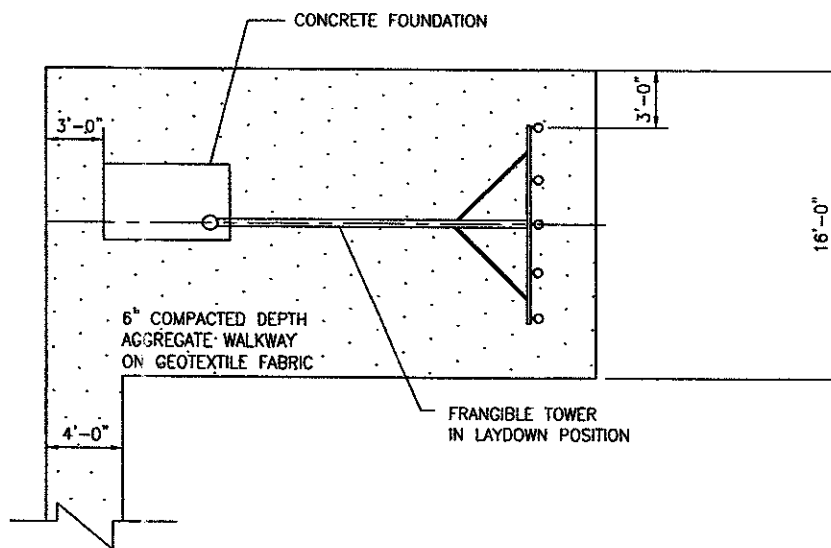
AGGREGATE WALKWAY

NOT TO SCALE



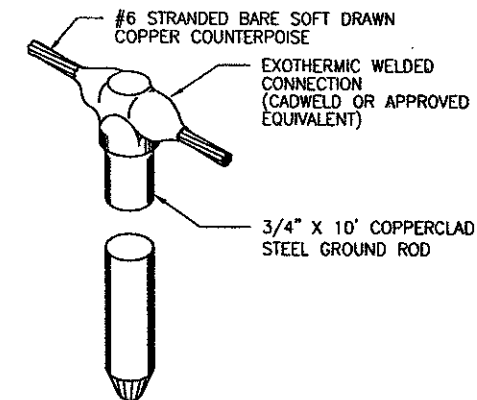
AGGREGATE TURNAROUND SECTION

NOT TO SCALE



TYPICAL MALS AGGREGATE WALKWAY LAYOUT

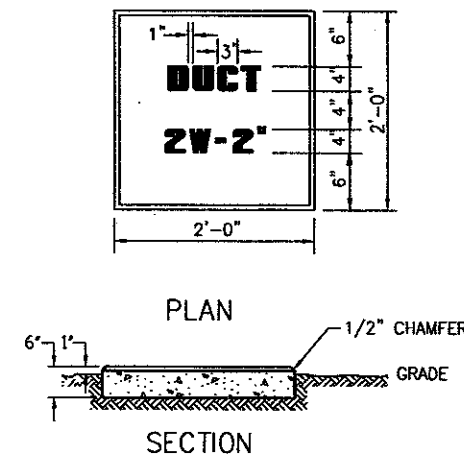
NOT TO SCALE



- NOTE:
1. A GROUND ROD SHALL BE INSTALLED AT EACH LIGHT STATION AND WHERE SHOWN ON LAYOUT SHEETS.

TYPICAL GROUND ROD DETAIL

NOT TO SCALE



- NOTE(S):
1. LETTERS HAVE STROKE WIDTH OF 1/2" AND 1/4" DEPTH.
 2. DUCT MARKERS SHALL BE PLACED AT THE END OF CONCRETE ENCASED CONDUIT.
 3. PAINT DUCT AND CABLE MARKERS INTERNATIONAL ORANGE. PAINT SHALL BE INDUSTRIAL GRADE FOR EXTERIOR USE.

TYPICAL DUCT MARKER FACES

NOT TO SCALE

PROJECT NAME	ADDISON AIRPORT
DRAWING TITLE	MALS MISCELLANEOUS DETAILS - SHEET 2 OF 2
DRAWING NO.	E14
DATE	2/8/01
BY	
REVISIONS	
DATE	
TODOT NO.	
BID NO.	E701044.00
USGS NO.	
DESIGN	
DRAWN	
CHECKED	
SCALE	
PRELIMINARY	AVIATION ALLIANCE, INC. CONSULTING ENGINEERS
DATE	2/2/01
APPROVED	
URS Greiner Woodward Clyde	
4100 Airport Center Boulevard, Suite 108	
Ft. Worth, TX 76156	
WWW.URSGROUP.COM	