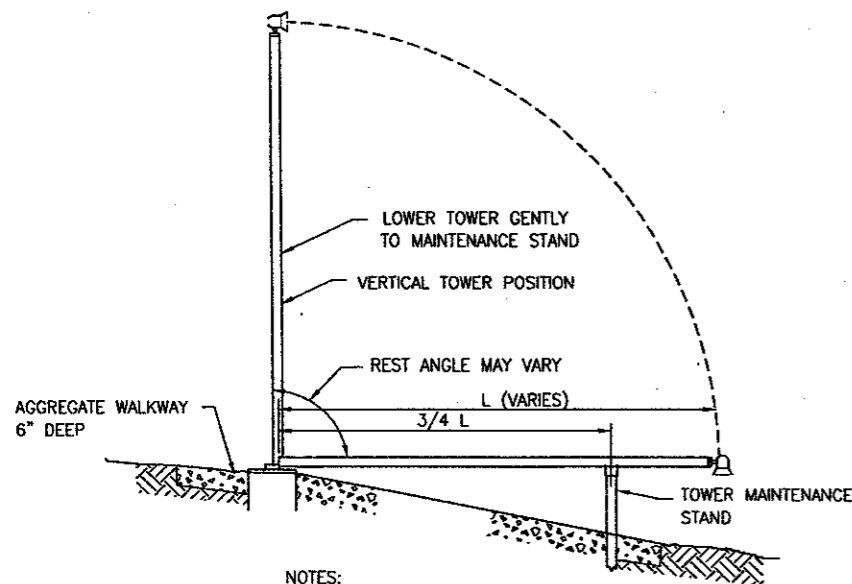


FRONT ELEVATION

**MAINTENANCE STAND**

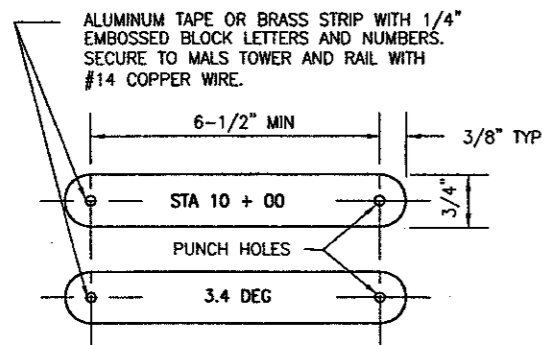
NOT TO SCALE



- NOTES:
1. THE TOWER MAINTENANCE STAND MAY BE LOCATED AT A DIFFERENT POINT DICTATED BY LOCAL CONDITIONS.
  2. ONE LOWERING DEVICE TO BE SUPPLIED WITH SYSTEM.

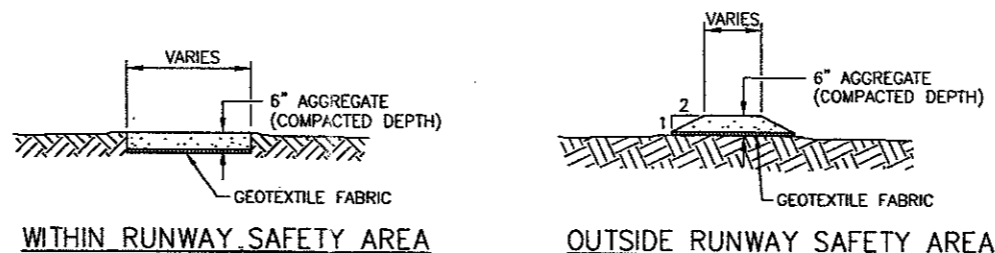
**MAINTENANCE STAND LOCATION**

NOT TO SCALE



**STATION & VERTICAL ANGLE MALS IDENTIFICATION STRIPS**

NOT TO SCALE



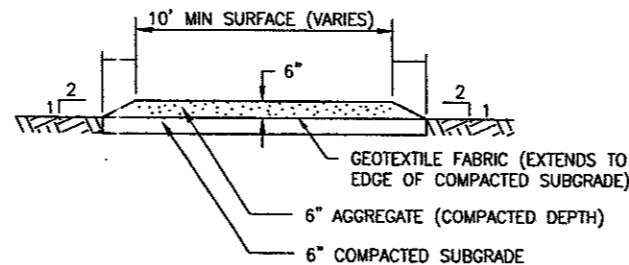
WITHIN RUNWAY SAFETY AREA

OUTSIDE RUNWAY SAFETY AREA

NOTE: CONNECT STATION WALKWAY TO EXISTING WALKWAY/ROADWAY WITH 4' WIDE WALKWAY SECTION.

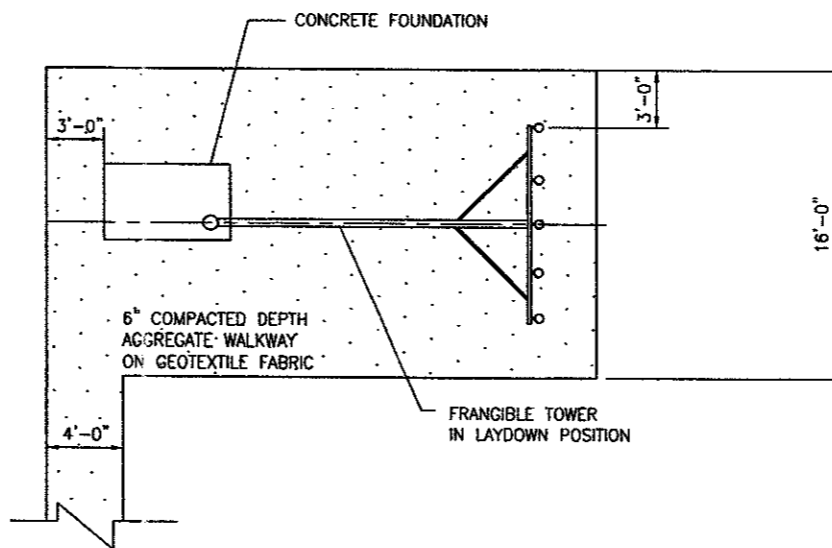
**AGGREGATE WALKWAY**

NOT TO SCALE



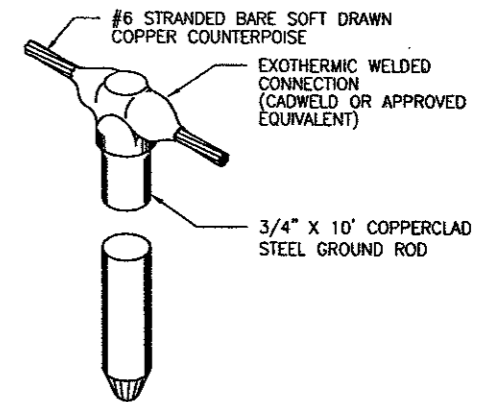
**AGGREGATE TURNAROUND SECTION**

NOT TO SCALE



**TYPICAL MALS AGGREGATE WALKWAY LAYOUT**

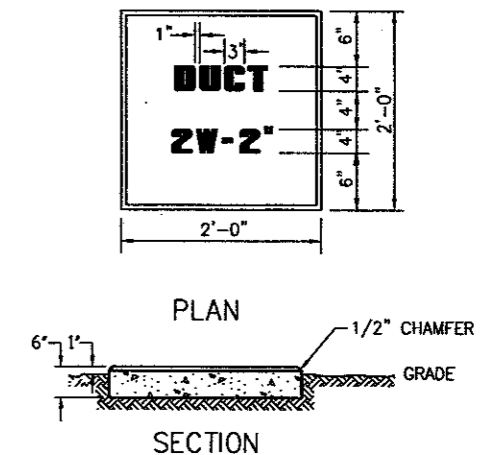
NOT TO SCALE



- NOTE:
1. A GROUND ROD SHALL BE INSTALLED AT EACH LIGHT STATION AND WHERE SHOWN ON LAYOUT SHEETS.

**TYPICAL GROUND ROD DETAIL**

NOT TO SCALE



NOTE(S):

1. LETTERS HAVE STROKE WIDTH OF 1/2" AND 1/4" DEPTH.
2. DUCT MARKERS SHALL BE PLACED AT THE END OF CONCRETE ENCASED CONDUIT.
3. PAINT DUCT AND CABLE MARKERS INTERNATIONAL ORANGE. PAINT SHALL BE INDUSTRIAL GRADE FOR EXTERIOR USE.

**TYPICAL DUCT MARKER FACES**

NOT TO SCALE

BY									
REVISIONS									
DATE									
T/DOIT NO.									
BID NO.									
USGS NO.									
DESIGN									
DRAWN									
CHECKED									
SCALE									
PRELIMINARY									
AVIATION ALLIANCE, INC.									
CONSULTING ENGINEERS									
DATE: 2/2/01									
APPROVED									
PROJECT NAME	<b>ADDISON AIRPORT</b>								
DRAWING TITLE	<b>RUNWAY 15 ESA GRADING</b>								
DRAWING NO.	<b>MALS MISCELLANEOUS DETAILS - SHEET 2 OF 2</b>								
DATE	<b>E14</b>								
	<b>2/9/01</b>								