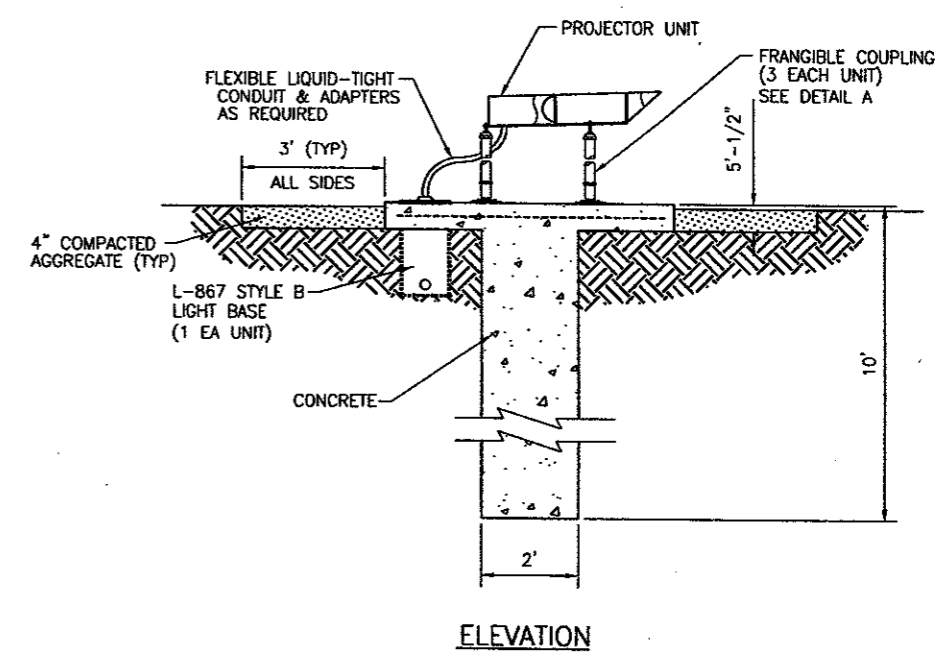
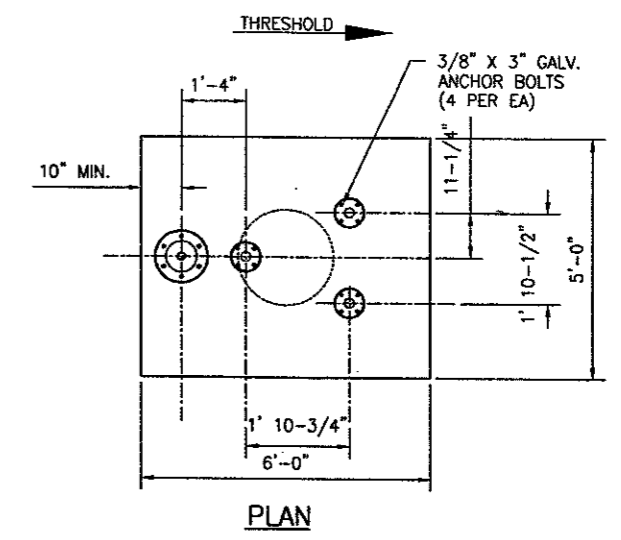


**INSTALLATION PARAMETERS:**

- MOUNTING HEIGHT:** THE BEAM CENTERS OF ALL PROJECTOR UNITS SHALL BE WITHIN  $\pm 1$  INCH OF A HORIZONTAL PLANE. THIS HORIZONTAL PLANE SHALL BE WITHIN TOLERANCES SHOWN IN TABLE BELOW RELATIVE TO THE ELEVATION OF THE RUNWAY CENTERLINE AT THE STATION SHOWN FOR PAPI INSTALLATION.
- ALIGNMENT:** THE FRONT FACE OF EACH PROJECTOR UNIT SHALL BE LOCATED ON A LINE PERPENDICULAR TO THE RUNWAY CENTERLINE WITHIN  $\pm 6$  INCHES.
- AIMING:** USE A STANDARD 3 DEGREE GLIDE PATH ANGLE AND REFER TO THE TABLE BELOW. AIMING DEVICE SHALL BE FURNISHED BY CONTRACTOR.

PAPI	STATION	HORIZONTAL PLANE TOLERANCE
R/W 15	52+69.50	$\pm 1$ FOOT
R/W 33	17+18.12	$\pm 1$ FOOT

PROJECTOR UNIT	AIMING ANGLE (IN MINUTES OF ARC)
	STANDARD INSTALLATION
UNIT NEAREST RUNWAY	30' ABOVE GLIDE PATH
NEXT ADJACENT UNIT	10' ABOVE GLIDE PATH
NEXT ADJACENT UNIT	10' BELOW GLIDE PATH
NEXT ADJACENT UNIT	30' BELOW GLIDE PATH



- USE 6 X 6-W2.9 X W2.9 WELDED WIRE FABRIC EMBEDDED 3 1/3" FROM TOP OF SLAB. MAINTAIN 3" CLEARANCE FROM SLAB EDGES.
- CONTRACTOR TO VERIFY EQUIPMENT DIMENSIONS. PRIOR TO FORMING SLAB.

**1 PAPI FOUNDATION**  
E19 NOT TO SCALE

**NOTES:**

- CONTRACTOR SHALL FURNISH & INSTALL (3 LAMPS PER UNIT) PAPI SYSTEMS IN THE QUANTITY AND AT THE LOCATIONS SHOWN. PAPI SHALL BE L-880, STYLE A (240 VAC), CLASS I, WITH PHOTOCCELL INTENSITY CONTROL. AIMING DEVICE SHALL BE FURNISHED WITH EACH SYSTEM.
- RESERVED.
- UPON REMOVAL OF THE EXISTING VASI-4 ON THE R/W 15 END. THE VASI FOUNDATIONS SHALL BE DEMOLISHED TO 12" MINIMUM BELOW GROUND AND THE AREA RESTORED TO ORIGINAL CONDITION.
- RESERVED.
- FOUNDATION DIMENSIONS & CABLING SHOWN ARE BASED ON CROUSE-HINDS L-880 PAPI. CONTRACTOR SHALL VERIFY MANUFACTURER INSTALLATION REQUIREMENTS & DIMENSIONS.
- RESERVED.
- CONTRACTOR SHALL PROVIDE A 4" THICK COMPACTED AGGREGATE WALKWAY (3' WIDE) AROUND ALL PAPI UNITS AND THE POWER/CONTROL RACKS AS SHOWN ON THE LAYOUT SHEETS.

PROJECT NO.	DATE	REVISIONS	BY	ALTR
BID NO.				
URS NO.				
DESIGN				
DRAWN				
CHECKED				
SCALE				
<p>PRELIMINARY NOT FOR CONSTRUCTION USE FOR ESTIMATION ONLY</p> <p>ANATON ALLIANCE, INC. CONSULTING ENGINEERS DATE: 2/2/01 APPROVED</p>				
<p><b>ADDISON AIRPORT</b></p> <p>ANATON ALLIANCE, INC. CONSULTING ENGINEERS 4100 Arroyo Circle, Beaverton, Suite 108 Beaverton, OR 97005 WWW.ALSGROUP.COM</p>				
<p><b>RUNWAY 15 ESA GRADING</b></p> <p>DRAWING TITLE</p> <p><b>PAPI INSTALLATION DETAILS</b></p>				
<p>DRAWING NO.</p> <p><b>E19</b></p>				
<p>DATE: 2/8/01</p>				