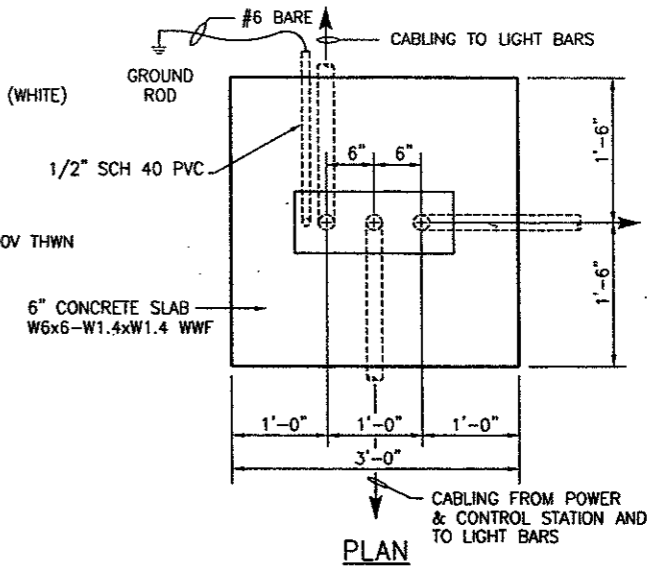
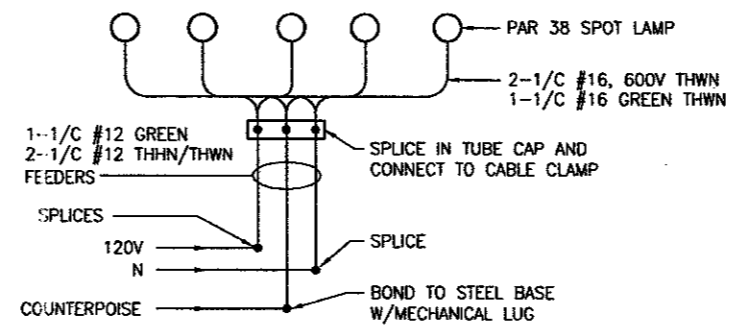
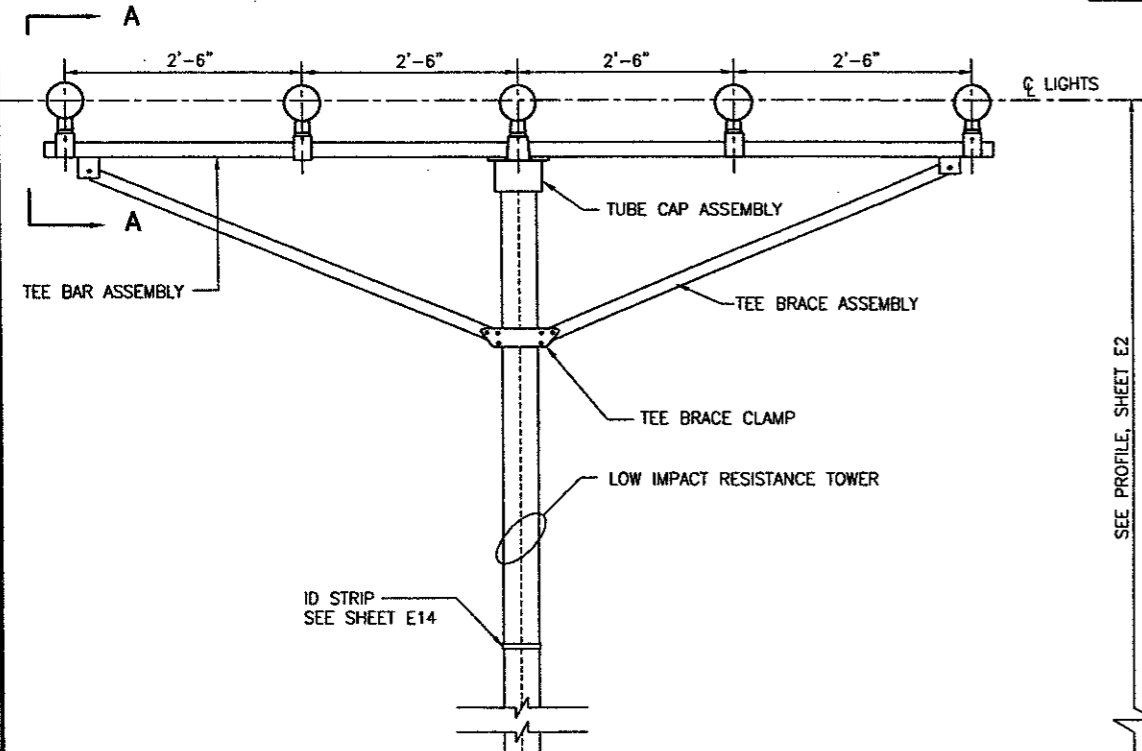


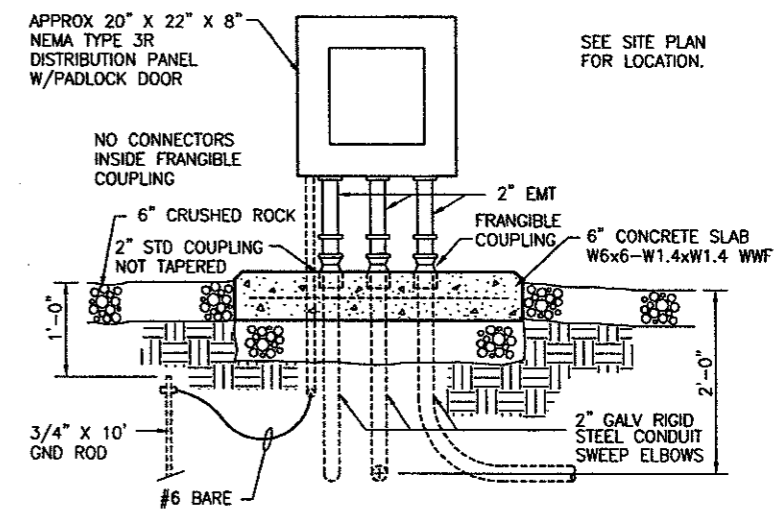
SECTION A - A
(TYP ALL 5 LIGHTS)
NOT TO SCALE



PLAN

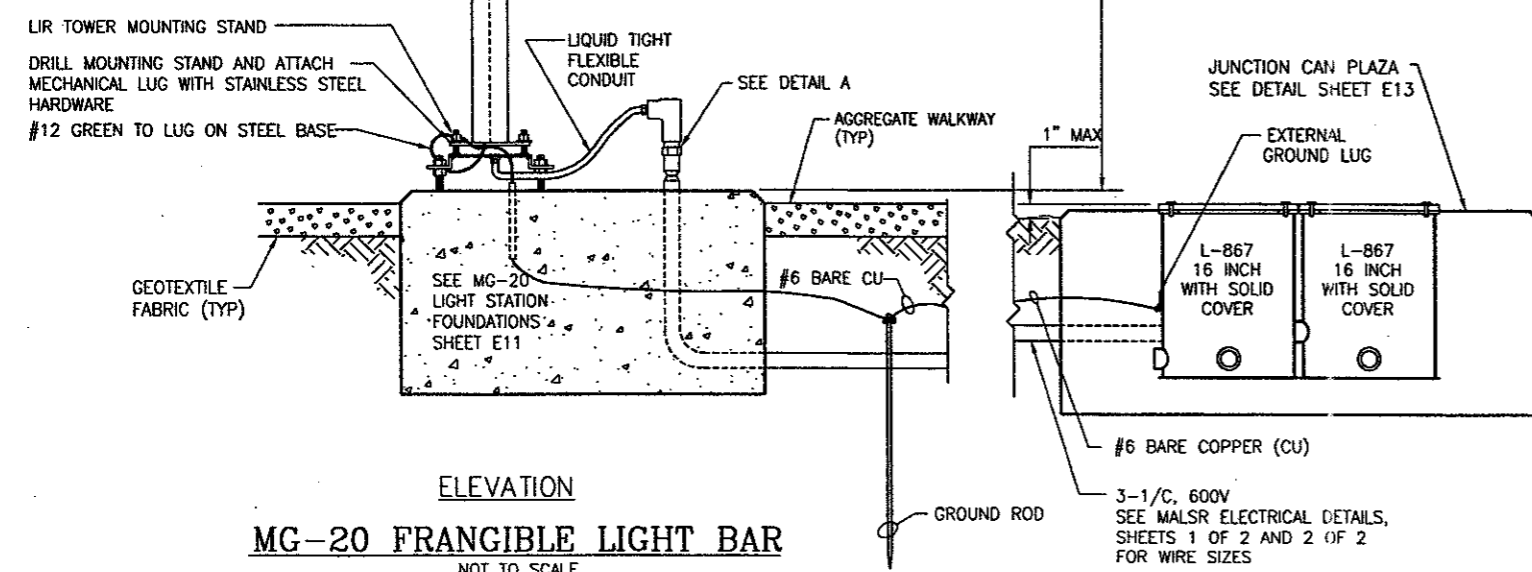


TYPICAL CONNECTIONS FOR TEE BAR ASSEMBLY
NOT TO SCALE



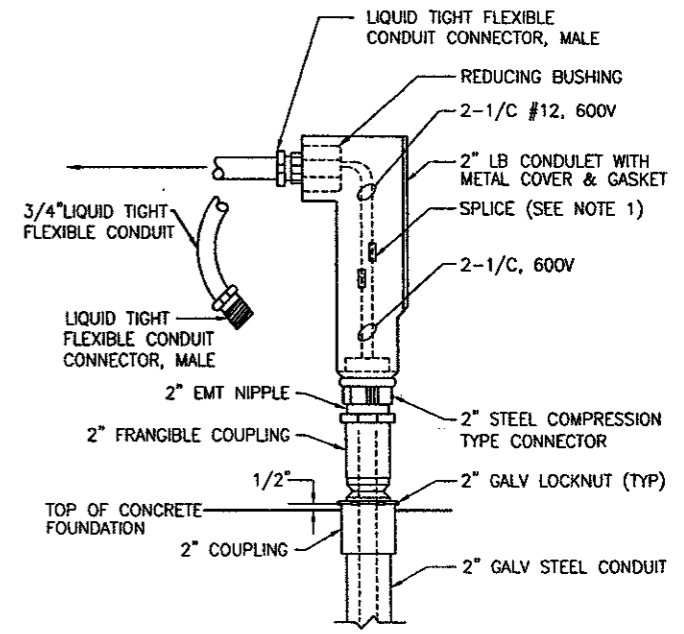
ELEVATION

MALS DISTRIBUTION PANEL
SCALE: 1" = 1'



MG-20 FRANGIBLE LIGHT BAR
NOT TO SCALE

- NOTES:**
1. SPLICES INSTALLED INSIDE 2" LB SHALL BE SCOTCHLOK BUTT CONNECTORS OR APPROVED EQUIVALENT. SPLICES TO BE PROTECTED BY HEAT SHRINK TUBING, RAYCHEM OR APPROVED EQUIVALENT.
 2. LEAVE 3 FEET OF SLACK IN EACH CABLE AT EACH LIGHT BAR.
 3. THE POWER CABLES SHALL BE CONTINUOUS BETWEEN LIGHT STATIONS. WHERE SPLICES ARE NECESSARY, USE COMPRESSION (SOLDERLESS) CONNECTORS SEALED WITH HEAT SHRINKABLE TUBING. SPLICES SHALL BE WATERPROOF SPLICES SHALL NOT BE MADE IN CONDUIT.
 4. CONTRACTOR SHALL INSTALL NEW MG-20 FOUNDATION, MG-20 LIR TOWER, AND TEE BAR ASSEMBLY WITH LAMPS AND LAMP HOLDERS.
 5. GROUND RODS SHALL BE 3/4" X 10' COPPER CLAD STEEL WITH EXOTHERMIC WELDED CONNECTIONS.
 6. INSTALL IDENTIFICATION STRIPS ON LIR TOWERS. SEE SHEET E14.
 7. SEE SHEET E14 FOR LAYDOWN DETAILS.
 8. CONTRACTOR SHALL INSTALL MAINTENANCE STANDS AT EACH MALS MG-20 STATION AND PROVIDE 6" DEEP COMPACTED AGGREGATE WALKWAYS ON GEOTEXTILE FABRIC. SEE SHEET E14 FOR WALKWAY SECTION.
 9. CONTRACTOR SHALL REPAIR ANY DAMAGE TO EXISTING AGGREGATE ACCESS ROAD WHETHER FROM EQUIPMENT OR REMOVAL OF EXISTING LIR FOUNDATIONS.



DETAIL A
NOT TO SCALE

PROJECT NAME	ADDISON AIRPORT
DRAWING TITLE	MALS STATION DETAILS (MG-20)
DRAWING NO.	E9
DATE	2/8/01
PROJECT NO.	URS 044.00
DESIGN	AWATON ALLIANCE, INC.
DRAWN	U.S. & S.W. & S.
CHECKED	J. J. J.
SCALE	APPROVED