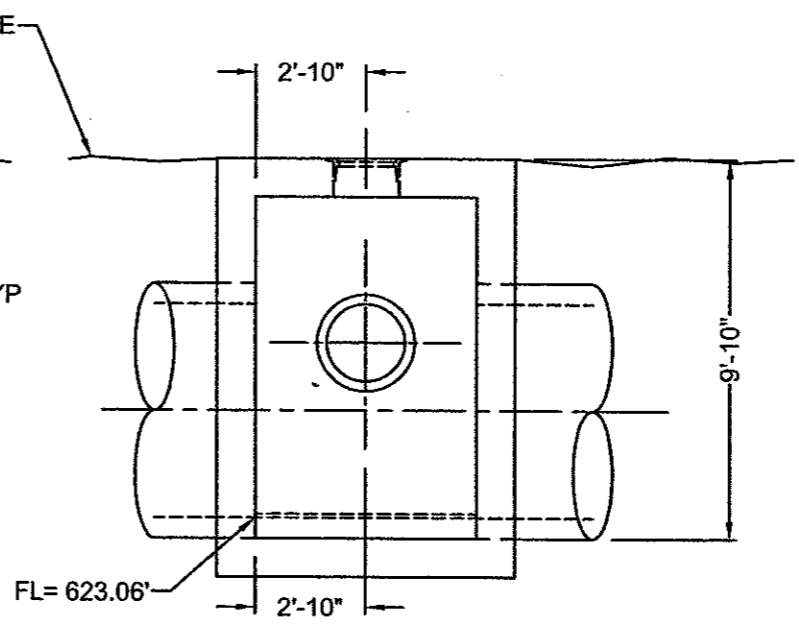
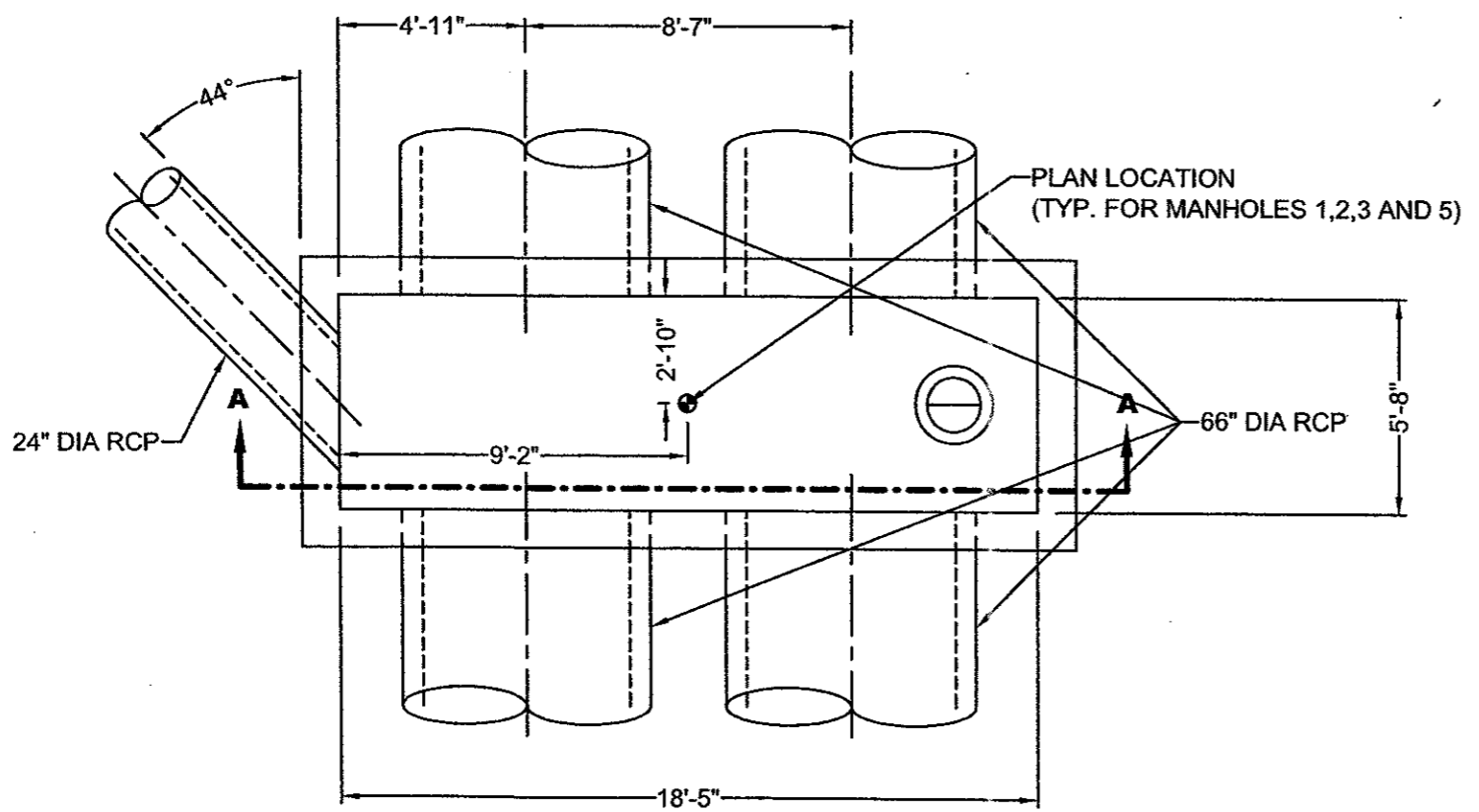


FRONT ELEVATION

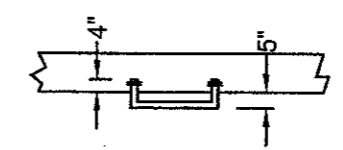


SIDE ELEVATION

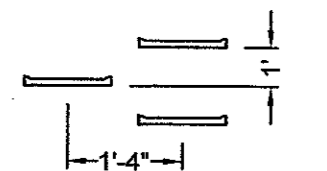
FILL BOTTOM OF MANHOLE SO THAT THE SURFACE SLOPES UP TO THE WALLS TO ENABLE DRAINAGE



PLAN - STA. 3+56.92



PLAN



FRONT ELEVATION

MANHOLE STEP DETAIL

N.T.S.

PROJECT NAME RUNWAY 15 ESA GRADING	DRAWING NO. S1.1	DATE 12/8/00	PROJECT TITLE MANHOLE No. 1 DETAIL	PROJECT NUMBER ADDISON AIRPORT	DRAWING TITLE URS Greiner Woodward Clyde	PROJECT ADDRESS 4100 Amcon Center Boulevard, Suite 108 Fort Worth, TX 76165 www.urscorp.com	TOOT NO.	DATE	BY	AUTH
							BID NO. URAC NO. E701075.00	DESIGN K.H.	DRAWN K.H.	CHECKED T.S.