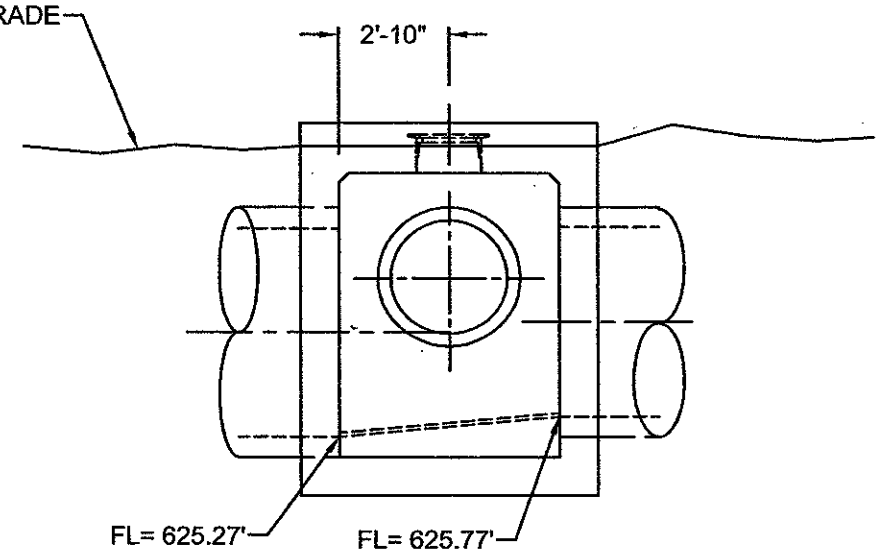
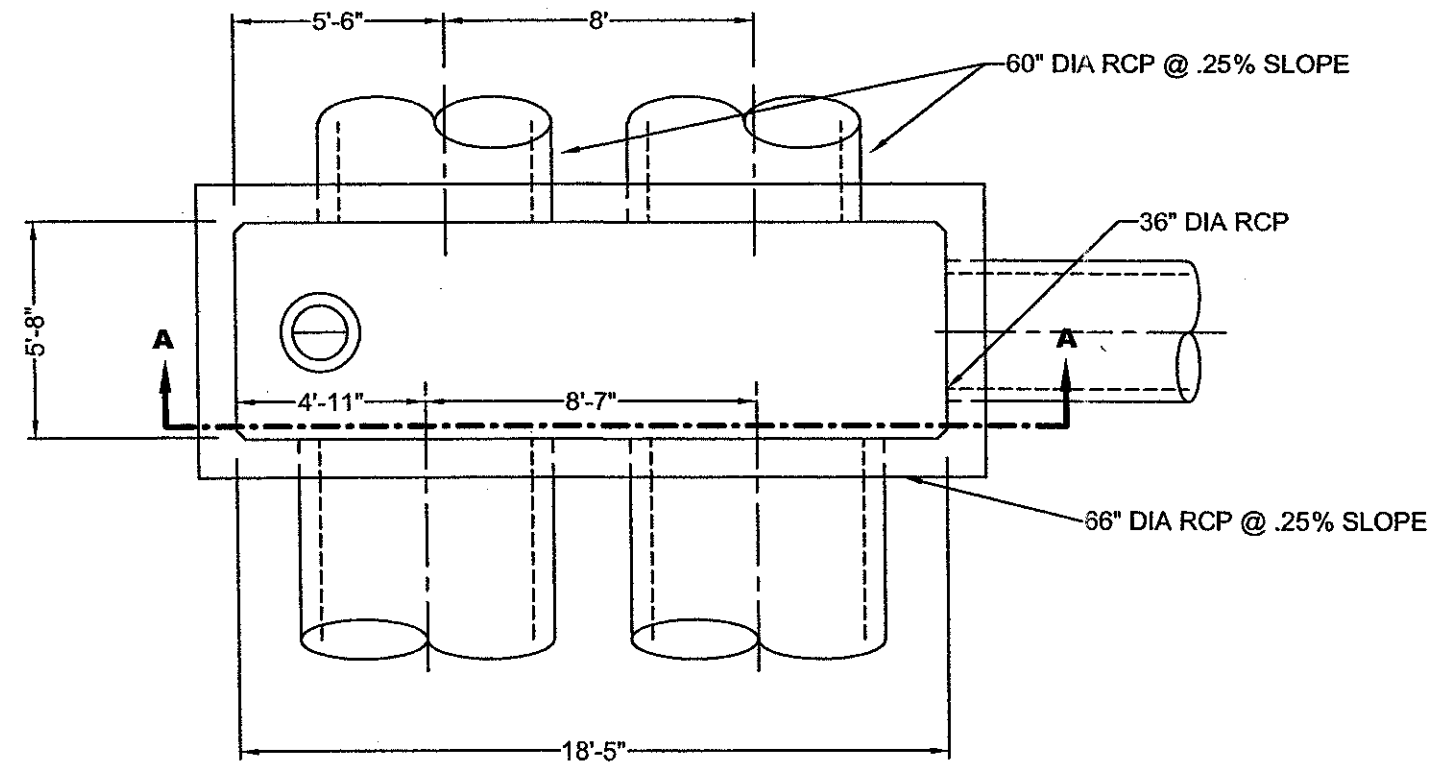


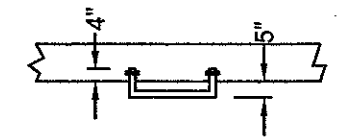
FRONT ELEVATION



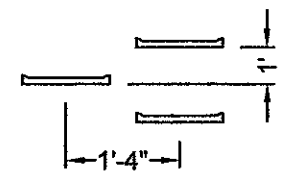
SIDE ELEVATION



PLAN - STA. 12+29.62



PLAN



FRONT ELEVATION

MANHOLE STEP DETAIL

N.T.S.

PROJECT NAME RUNWAY 15 ESA GRADING	DRAWING TITLE MANHOLE No. 3 DETAIL	DRAWING NO. S1.3	DATE 12/8/00	SCALE AS SHOWN	CHECKED I.S.	DRAWN K.H.	DESIGN K.H.	URSS NO. E701075.00	TADOT NO.	REVISIONS	DATE	BY	AUTH

ADDISON AIRPORT
URS Greiner Woodward Clyde
 4100 Amon Carter Boulevard, Suite 108
 Fort Worth, TX 76156
 www.urscorp.com