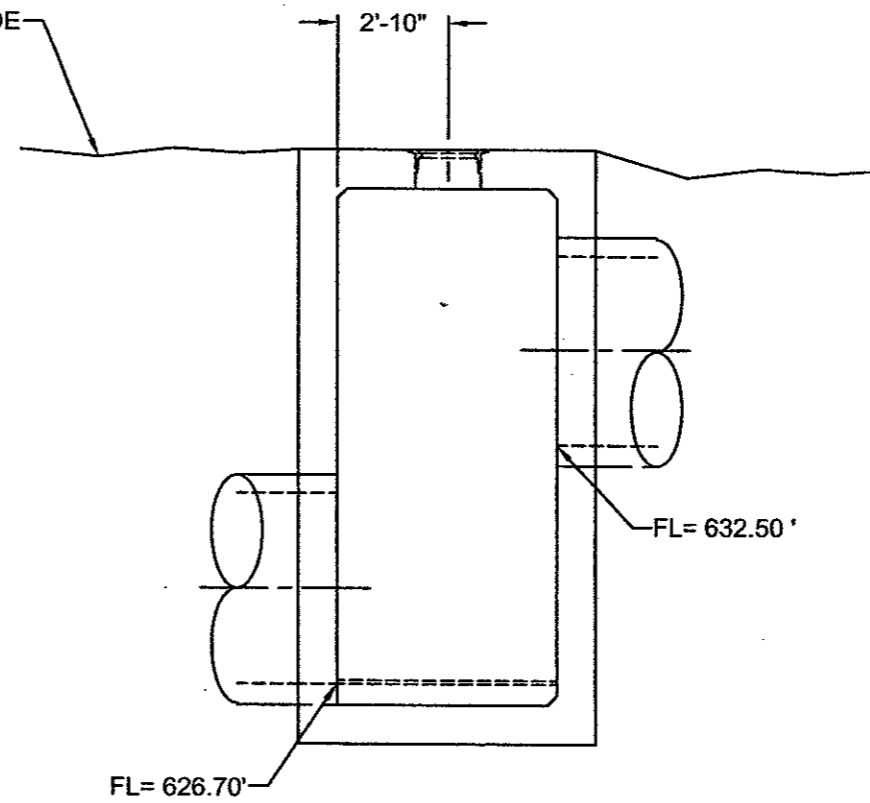
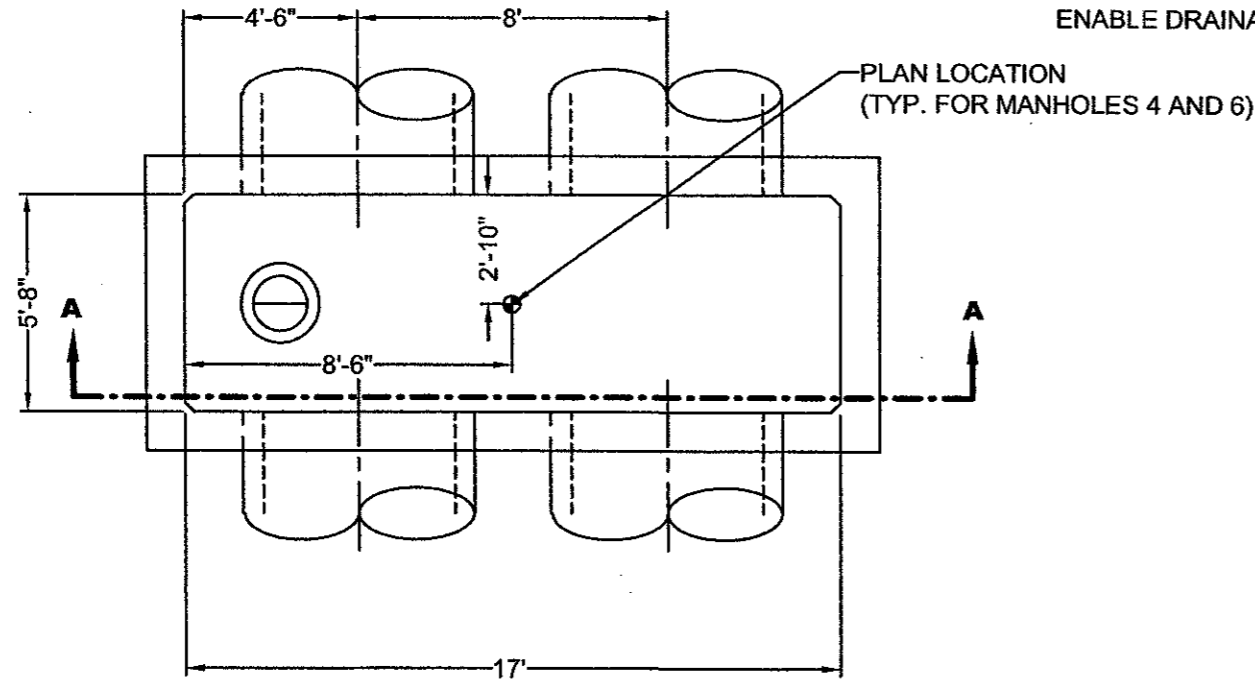


FRONT ELEVATION

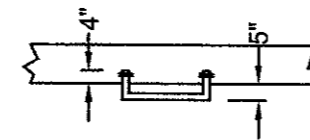


SIDE ELEVATION

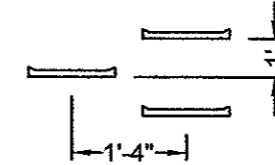


PLAN - STA. 16+00

FILL BOTTOM OF MANHOLE SO THAT THE SURFACE SLOPES UP TO THE WALLS TO ENABLE DRAINAGE



PLAN



FRONT ELEVATION

MANHOLE STEP DETAIL

N.T.S.

PROJECT NAME		ADDISON AIRPORT									
DRAWING TITLE		MANHOLE No. 4 DETAIL									
DRAWING NO.		S1.4									
DATE		12/8/00									
REVISIONS		<table border="1"> <tr> <th>NO.</th> <th>DATE</th> <th>BY</th> <th>AUTH.</th> </tr> <tr> <td> </td> <td> </td> <td> </td> <td> </td> </tr> </table>		NO.	DATE	BY	AUTH.				
NO.	DATE	BY	AUTH.								
FACTORY NO.		E701075.00									
DESIGN		K.H.									
DRAWN		K.H.									
CHECKED		J.S.									
SCALE		AS SHOWN									
URS Greiner Woodward Clyde 4100 Armes Center Boulevard, Suite 108 Fort Worth, TX 76155 www.urscorp.com											