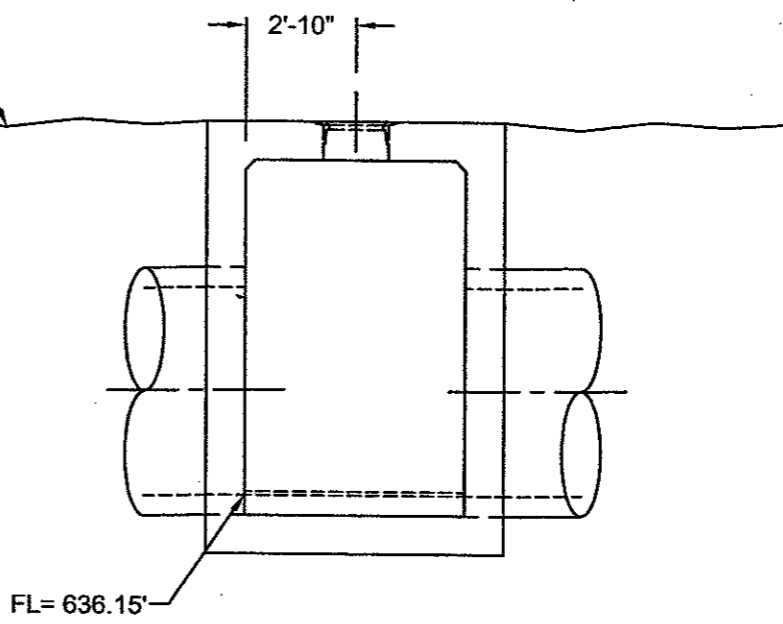
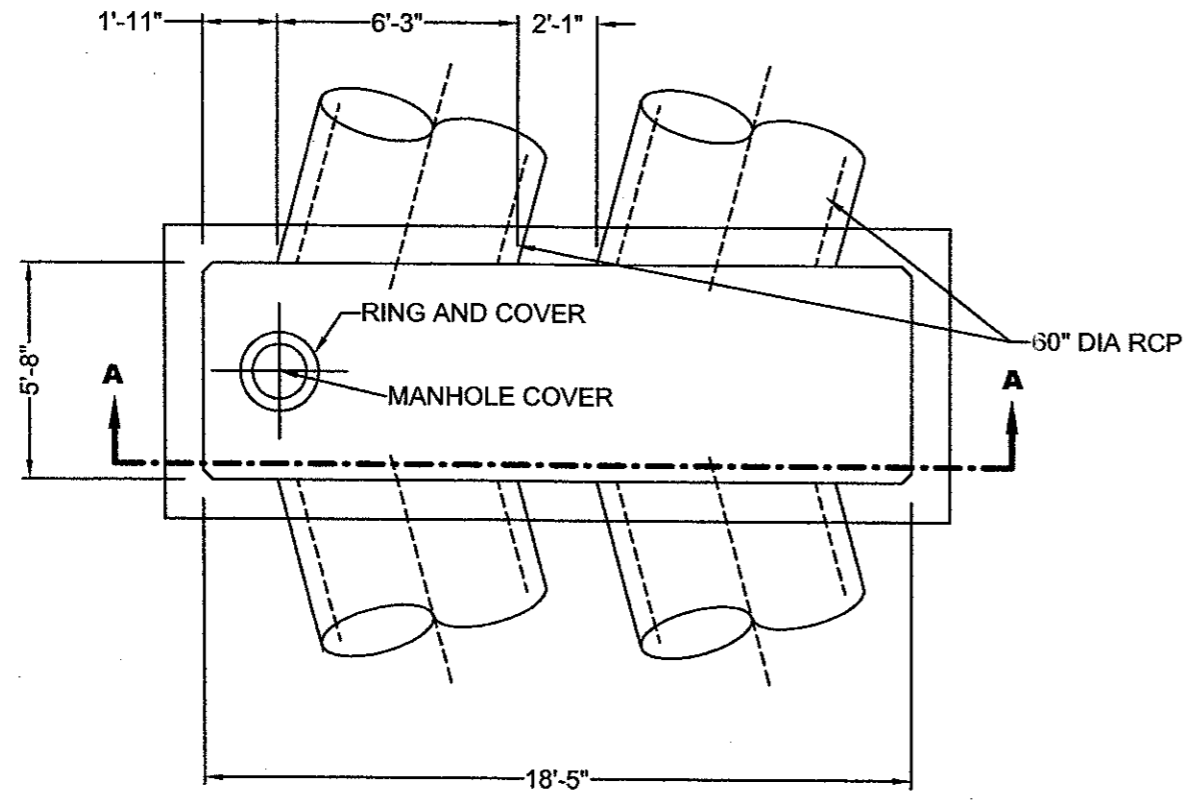


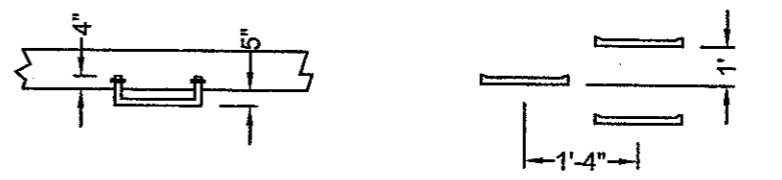
FRONT ELEVATION



SIDE ELEVATION



PLAN - STA. 18+90



PLAN

FRONT ELEVATION

MANHOLE STEP DETAIL

N.T.S.

PROJECT NAME		ADDISON AIRPORT	
DRAWING TITLE		MANHOLE No. 5 DETAIL	
DRAWING NO.		S1.5	
DATE		12/18/00	
PROJECT NO.		E7101075.00	
DESIGN		K.H.	
DRAWN		K.H.	
CHECKED		I.S.	
SCALE		AS SHOWN	
REVISIONS		BY AUTH	
DATE			
TACOT NO.			
BID NO.		E7101075.00	
URSB NO.		E7101075.00	
DESIGN		K.H.	
DRAWN		K.H.	
CHECKED		I.S.	
SCALE		AS SHOWN	

4100 Arson Center Boulevard, Suite 108
Fort Worth, TX 76155
www.urscorp.com