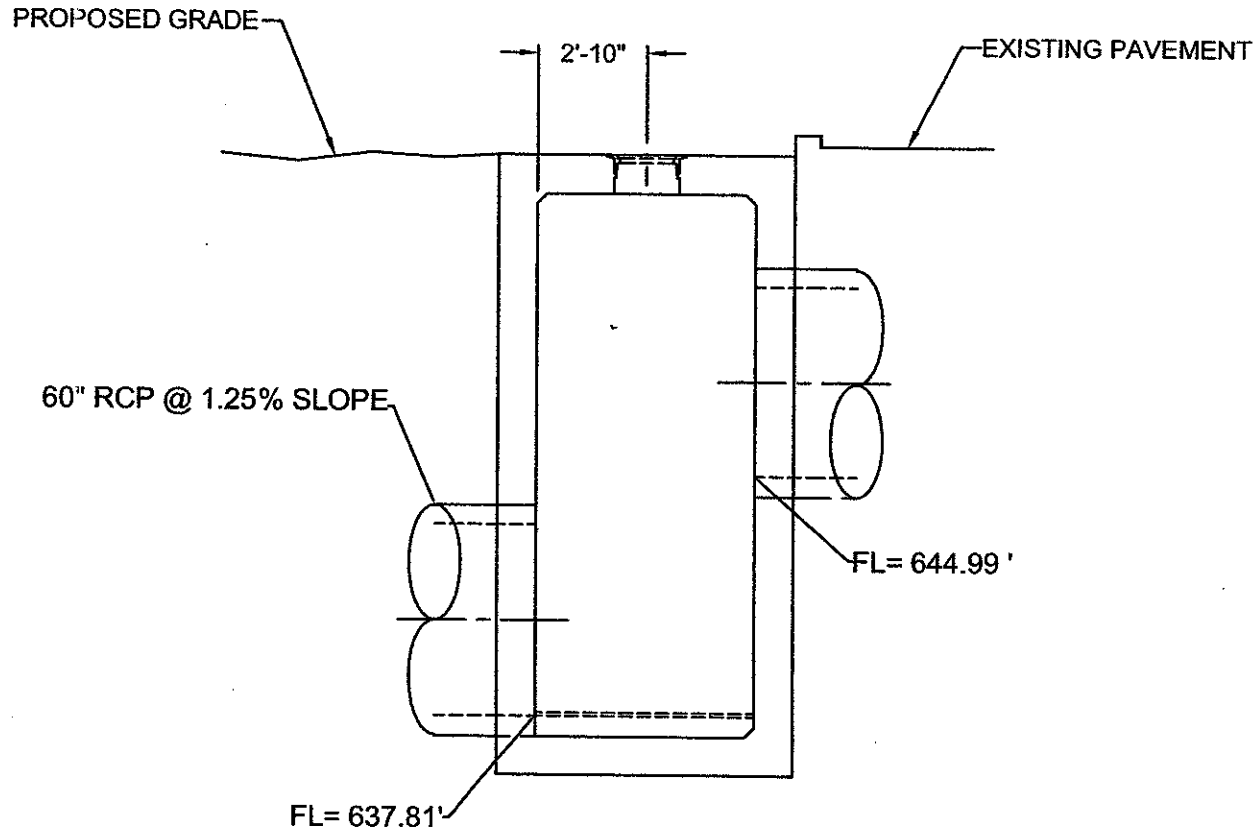
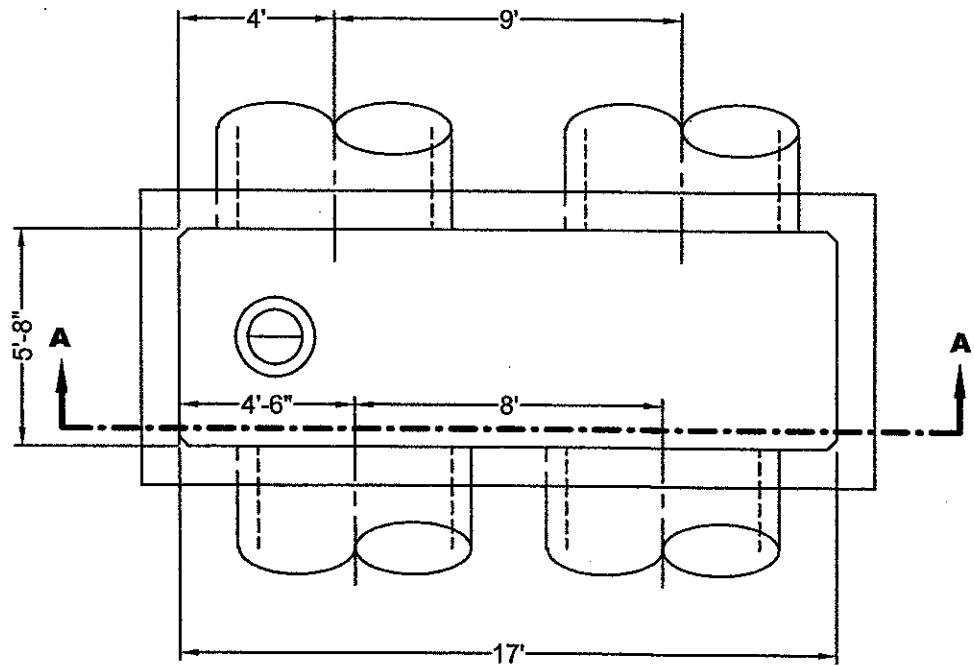


FRONT ELEVATION

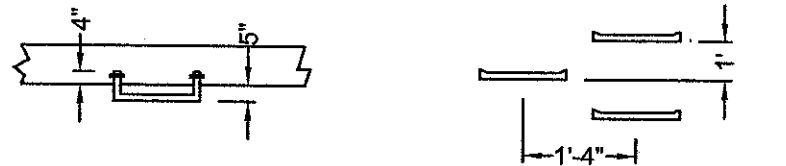
FILL BOTTOM OF MANHOLE SO THAT THE SURFACE SLOPES UP TO THE WALLS TO ENABLE DRAINAGE



SIDE ELEVATION



PLAN - STA. 20+25



PLAN

FRONT ELEVATION

MANHOLE STEP DETAIL

N.T.S.

PROJECT NAME RUNWAY 15 ESA GRADING	DRAWING NO. S1.6	DATE 12/8/00	DRAWING TITLE MANHOLE No. 6 DETAIL	PROJECT NAME ADDISON AIRPORT	DESIGNER URS Greiner Woodward Clyde	REVISIONS	DATE	BY	AUTH.
TADOT NO. BID NO. E701075.00 URS NO. DESIGN K.H. DRAWN K.H. CHECKED J.S. SCALE AS SHOWN				400 Addison Center Boulevard, Suite 108 Fort Worth, TX 76105 www.urscorp.com					