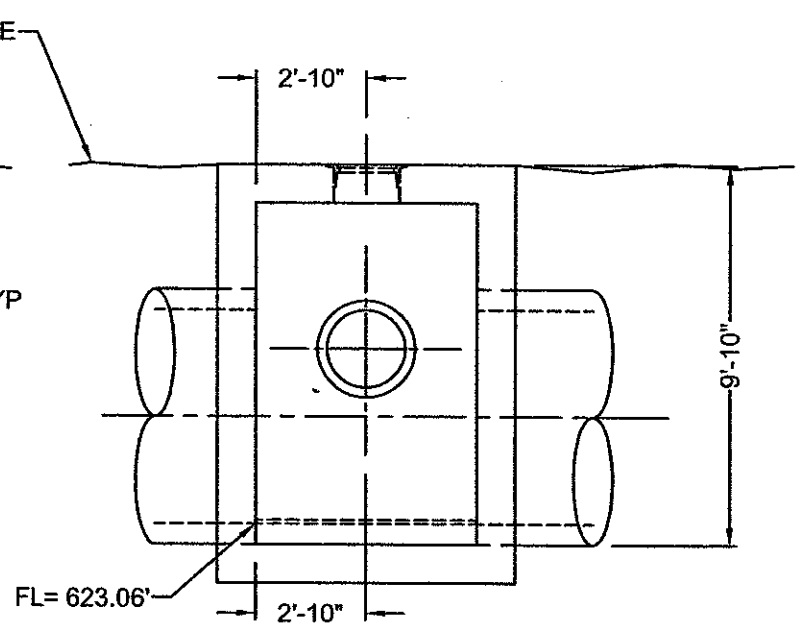
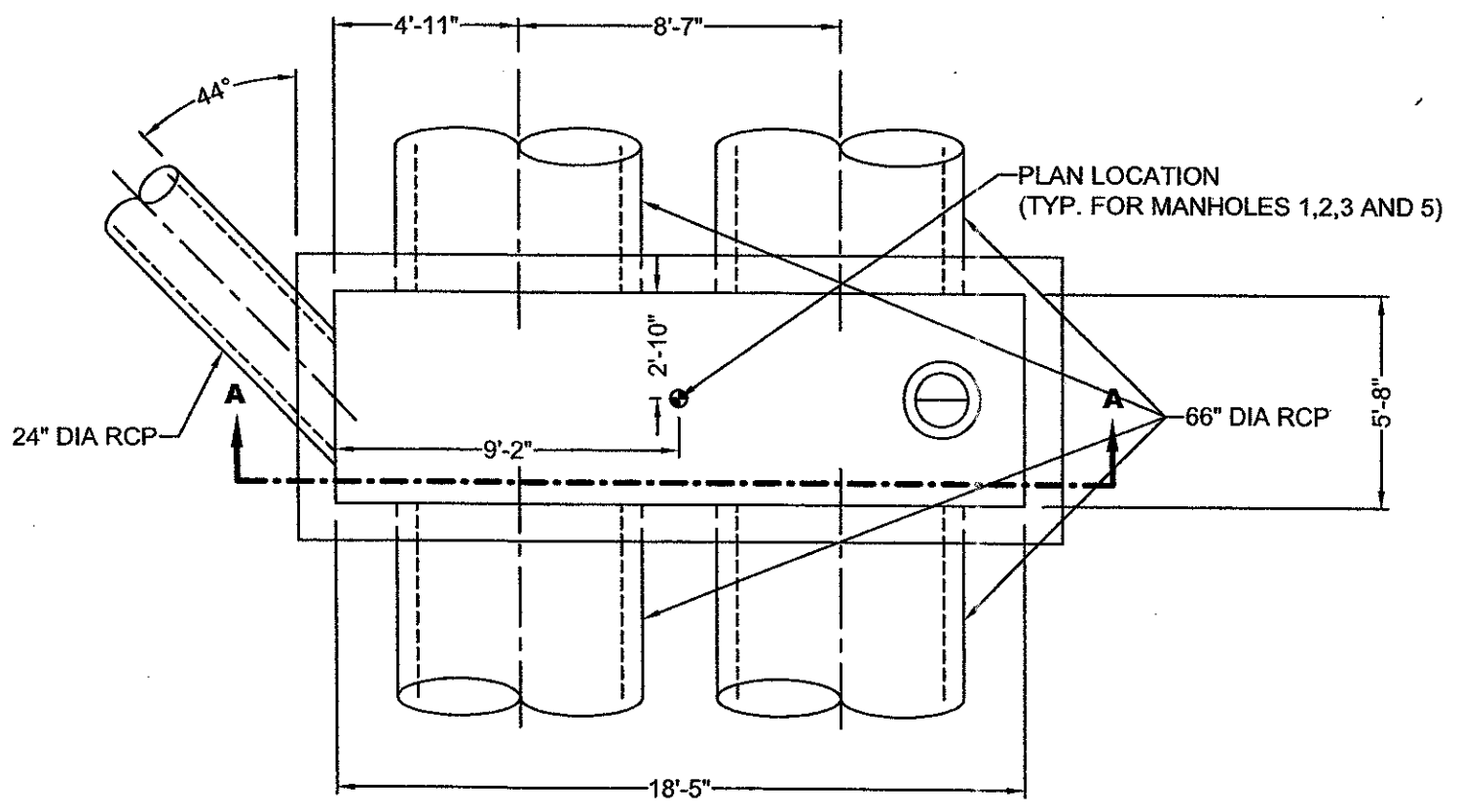


FRONT ELEVATION

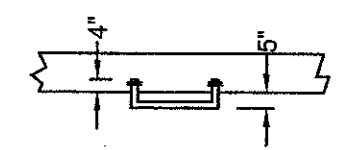


SIDE ELEVATION

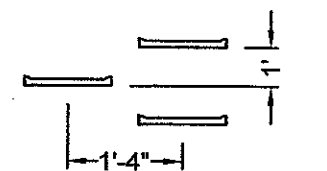
FILL BOTTOM OF MANHOLE SO THAT THE SURFACE SLOPES UP TO THE WALLS TO ENABLE DRAINAGE



PLAN - STA. 3+56.92



PLAN



FRONT ELEVATION

MANHOLE STEP DETAIL

N.T.S.

PROJECT NAME		ADDISON AIRPORT	
DRAWING TITLE		MANHOLE No. 1 DETAIL	
DRAWING NO.		S1.1	
DATE		12/8/00	
PROJECT NO.		E701075.00	
DESIGN		K.H.	
DRAWN		K.H.	
CHECKED		I.S.	
SCALE		AS SHOWN	
BY		A.U.H.	
DATE			
REVISIONS			
TWO T NO.			
BIO NO.			
URAC NO.			

URS Greiner Woodward Clyde
 4100 Arnon Center Boulevard, Suite 108
 Fort Worth, TX 76165
 www.urscorp.com