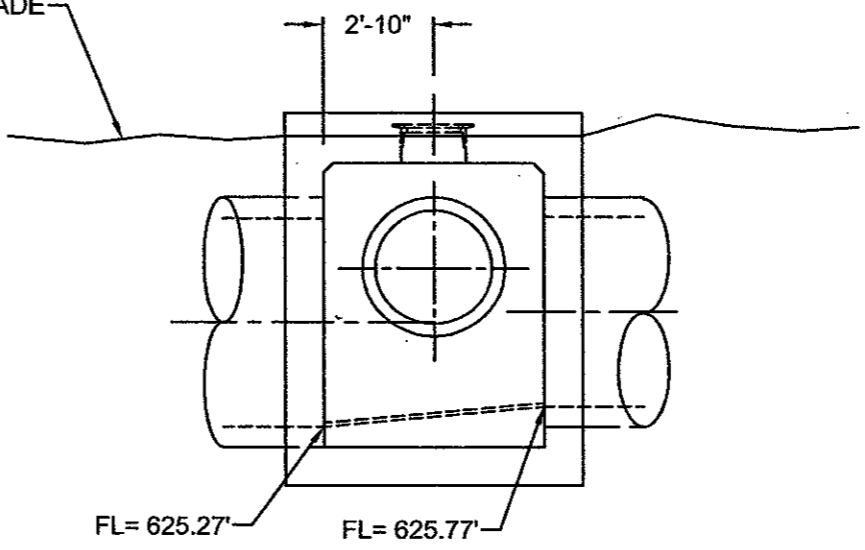
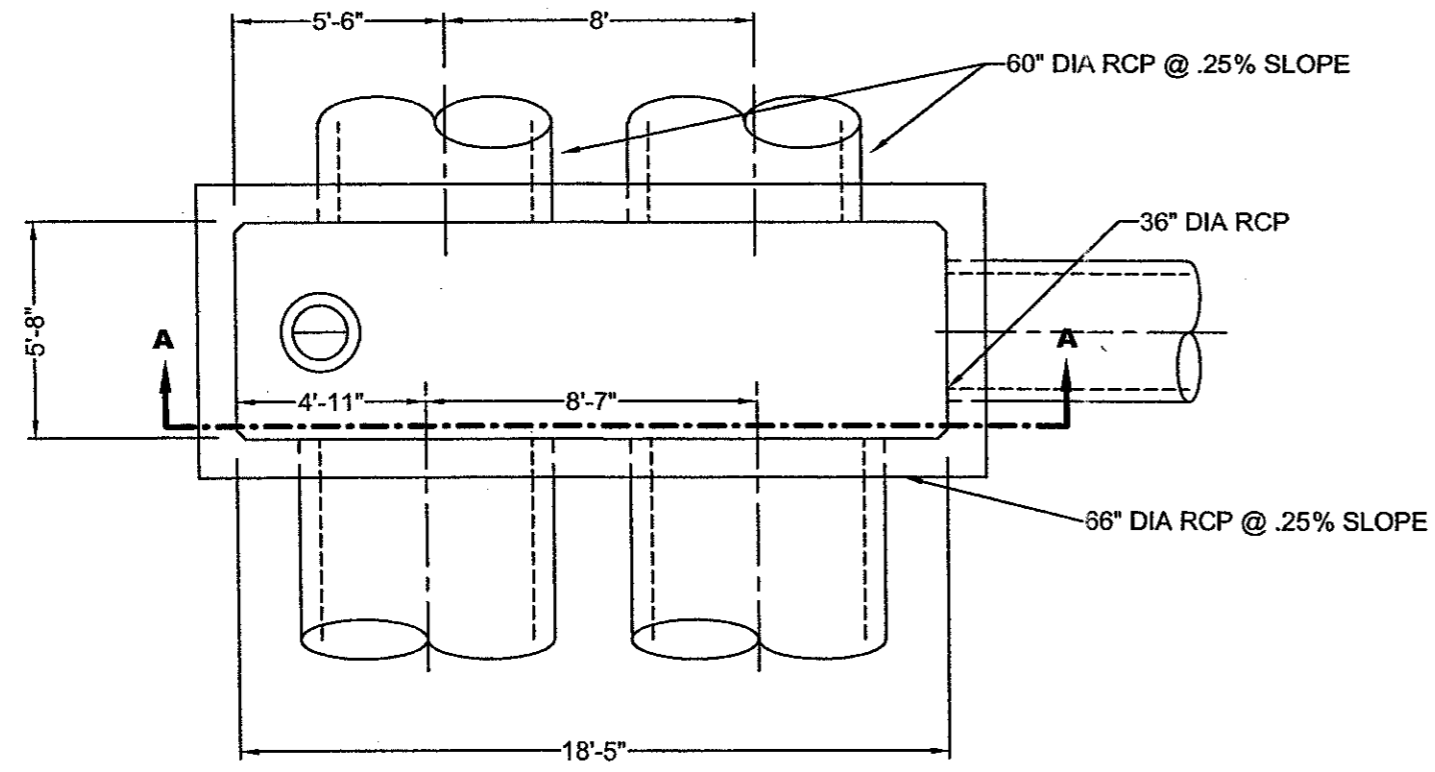


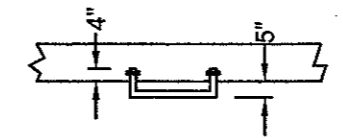
FRONT ELEVATION



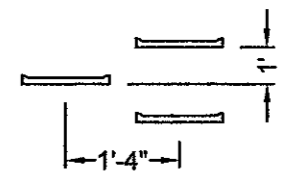
SIDE ELEVATION



PLAN - STA. 12+29.62



PLAN



FRONT ELEVATION

MANHOLE STEP DETAIL

N.T.S.

PROJECT NAME	ADDISON AIRPORT
DRAWING TITLE	MANHOLE No. 3 DETAIL
DRAWING NO.	S1.3
DATE	12/8/00
PROJECT NO.	4100 Amon Carter Boulevard, Suite 108 Fort Worth, TX 76166 www.urscorp.com
PROJECT TITLE	URS Greiner Woodward Clyde
PROJECT NO.	ADDISON AIRPORT
BID NO.	ET01075.00
URS NO.	K.H.
DESIGN	K.H.
DRAWN	K.H.
CHECKED	I.S.
SCALE	AS SHOWN
TADOT NO.	
DATE	
REVISIONS	
BY	AUTN