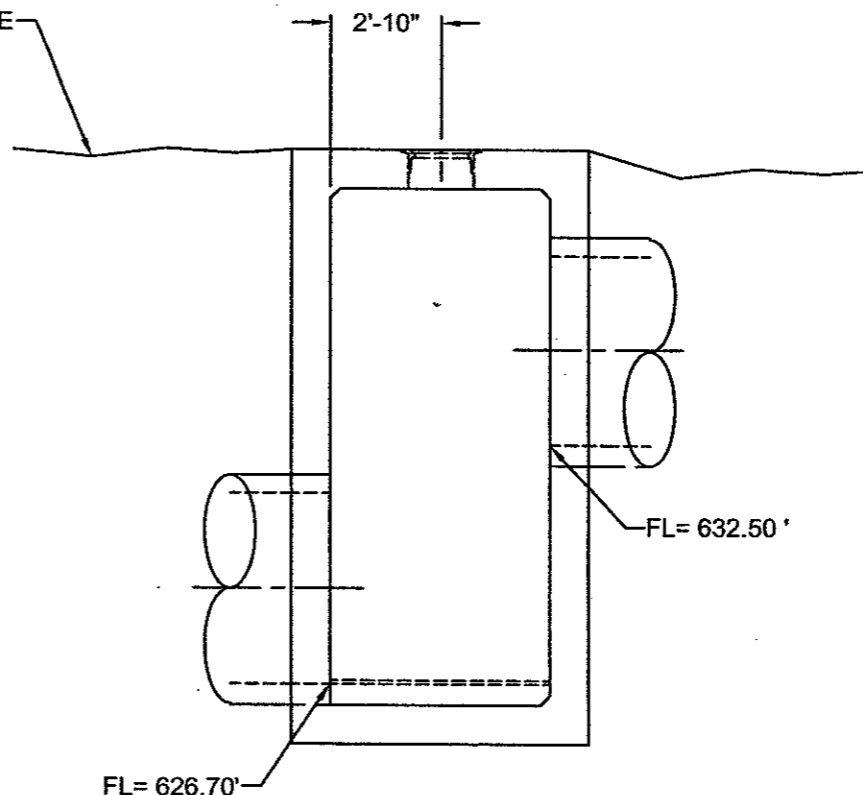
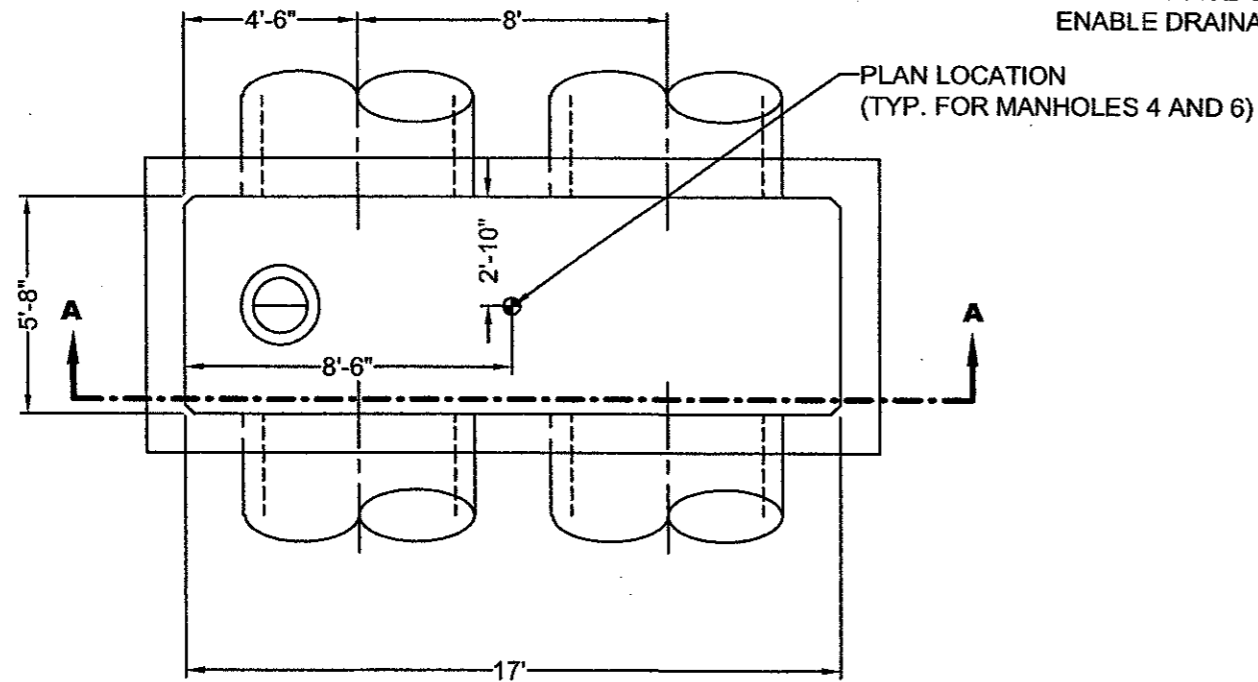


FRONT ELEVATION

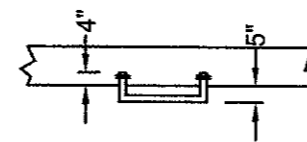


SIDE ELEVATION

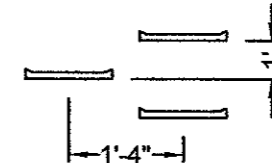


PLAN - STA. 16+00

FILL BOTTOM OF MANHOLE SO THAT THE SURFACE SLOPES UP TO THE WALLS TO ENABLE DRAINAGE



PLAN



FRONT ELEVATION

MANHOLE STEP DETAIL

N.T.S.

PROJECT NAME		ADDISON AIRPORT	
DRAWING TITLE		MANHOLE No. 4 DETAIL	
DRAWING NO.		S1.4	
DATE		12/8/00	
REVISIONS		BY: AUTH:	
DATE			
PROJECT NO.		E701075.00	
DESIGN		K.H.	
DRAWN		K.H.	
CHECKED		J.S.	
SCALE		AS SHOWN	
URS Greiner Woodward Clyde 4100 Armes Center Boulevard, Suite 108 Fort Worth, TX 76155 www.urscorp.com			