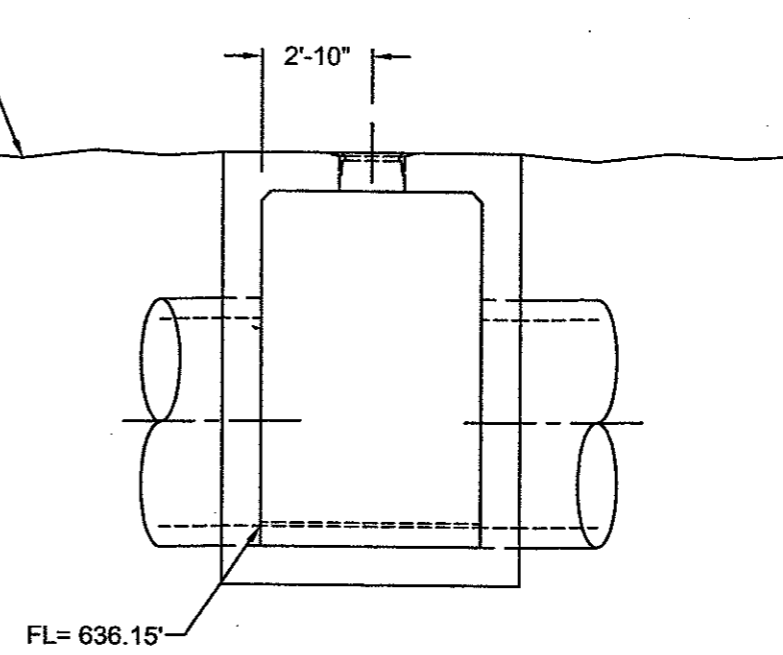
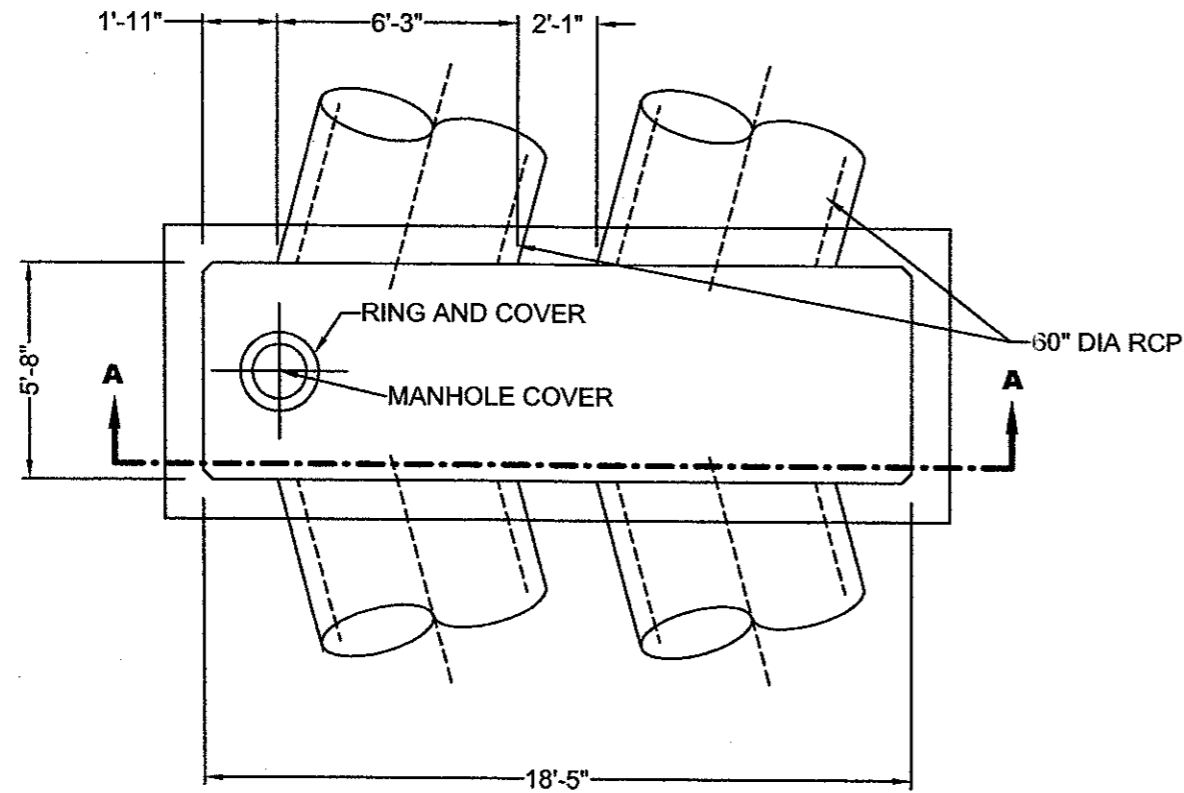


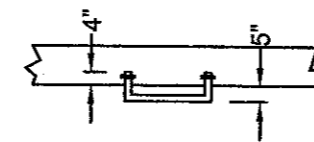
**FRONT ELEVATION**



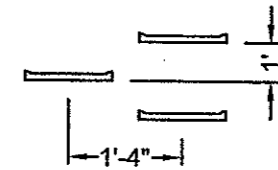
**SIDE ELEVATION**



**PLAN - STA. 18+90**



**PLAN**



**FRONT ELEVATION**

**MANHOLE STEP DETAIL**

N.T.S.

PROJECT NO.	BID NO.	URB NO.	DESIGN	DRAWN	CHECKED	SCALE
	701075.00	E701075.00	K.H.	K.H.	I.S.	AS SHOWN
DATE	REVISIONS	BY	AUTH			
<b>ADDISON AIRPORT</b>						
<b>URS Greiner Woodward Clyde</b>						
4100 Arson Center Boulevard, Suite 108 Fort Worth, TX 76155 www.urscorp.com						
<b>RUNWAY 15 ESA GRADING</b>			<b>MANHOLE No. 5 DETAIL</b>			
DRAWING NO.			DATE			
<b>S1.5</b>			12/8/00			