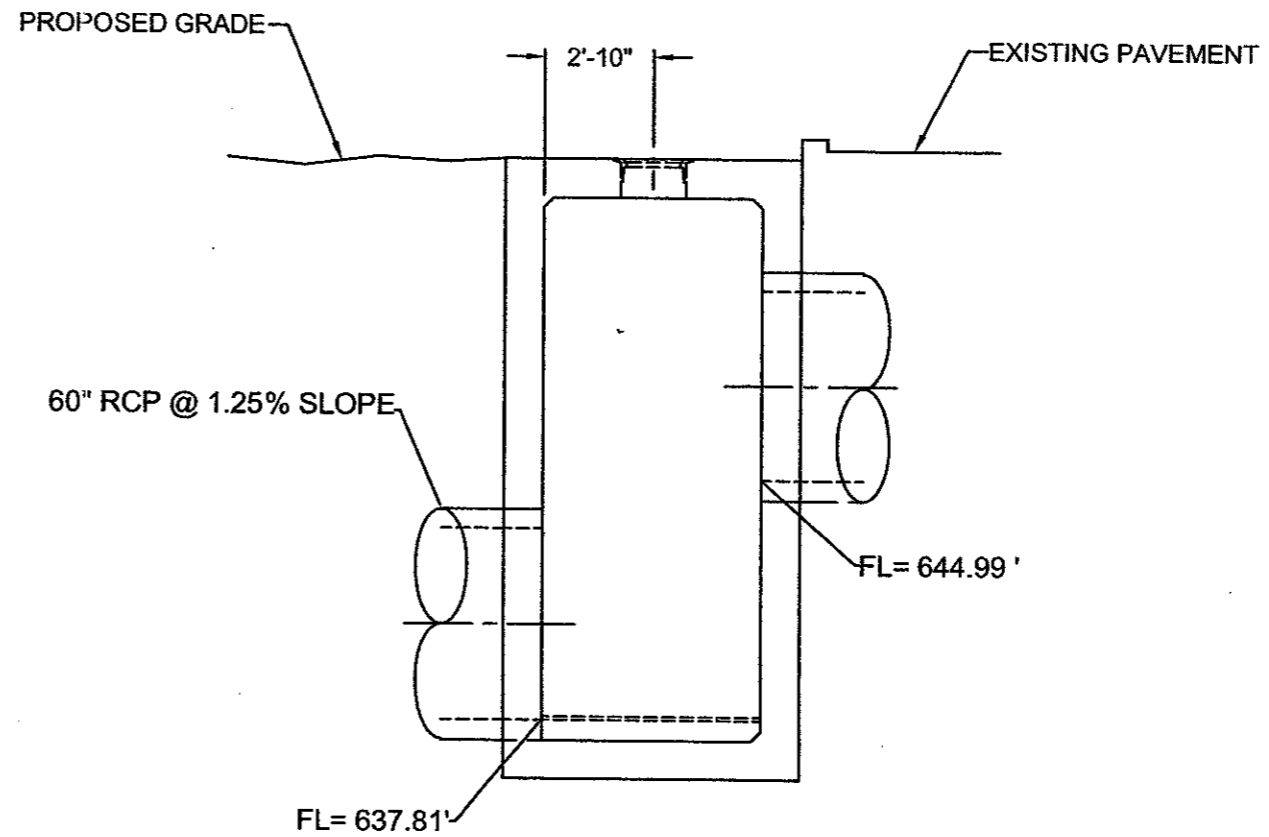
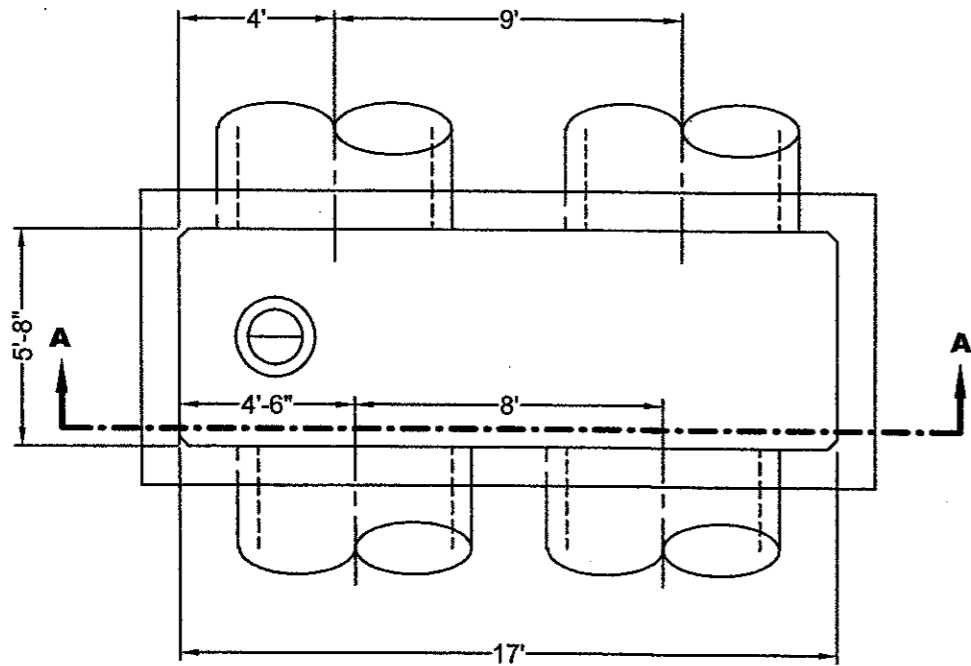


FRONT ELEVATION

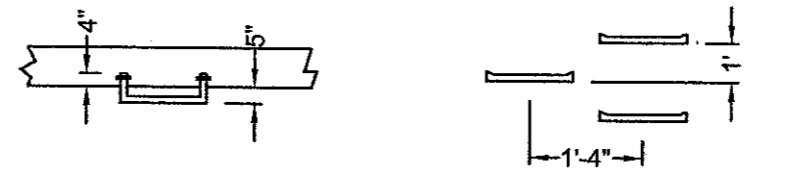
FILL BOTTOM OF MANHOLE SO THAT THE SURFACE SLOPES UP TO THE WALLS TO ENABLE DRAINAGE



SIDE ELEVATION



PLAN - STA. 20+25



PLAN

FRONT ELEVATION

MANHOLE STEP DETAIL

N.T.S.

PROJECT NAME		ADDISON AIRPORT	
DRAWING TITLE		MANHOLE No. 6 DETAIL	
DRAWING NO.		S1.6	
DATE		12/8/00	
TRACOT NO.	DESIGN	DATE	BY
E701075.00	K.H.		
	K.H.		
	I.S.		
	AS SHOWN		
URS Greiner Woodward Clyde 4100 Armon Carter Boulevard, Suite 108 Fort Worth, TX 76185 www.urscorp.com			