



REGISTRATION NO. F-5713

RECORD DRAWINGS
03/10/2015

REV.	DATE	DESCRIPTION	BY



ADDISON AIRPORT
ADDISON, TEXAS

RUNWAY 33 RSA IMPROVEMENTS

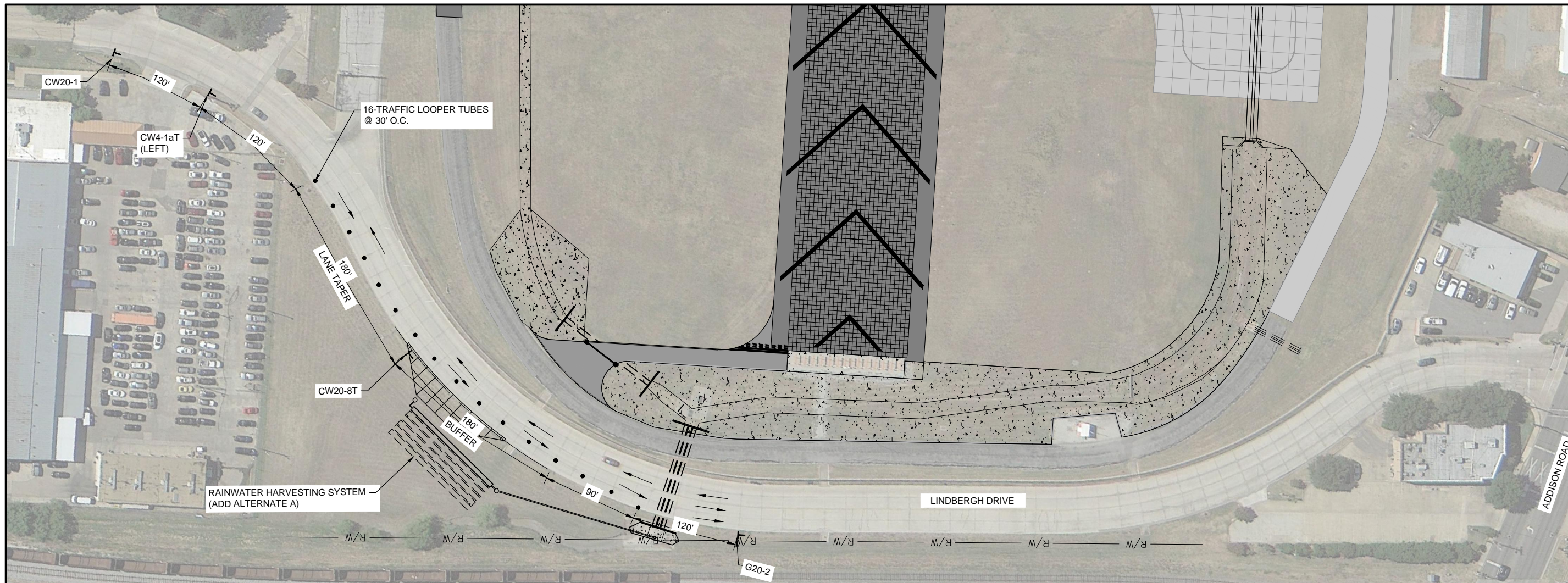
SAFETY & PHASING
PLAN - PHASE 3

JOB NO.: 13081100
DATE: NOV. , 2013
DESIGNED BY: CEM
DRAWN BY: LMR

BAR IS ONE INCH ON ORIGINAL DRAWING
IF NOT ONE INCH ON THIS SHEET, ADJUST SCALES ACCORDINGLY.

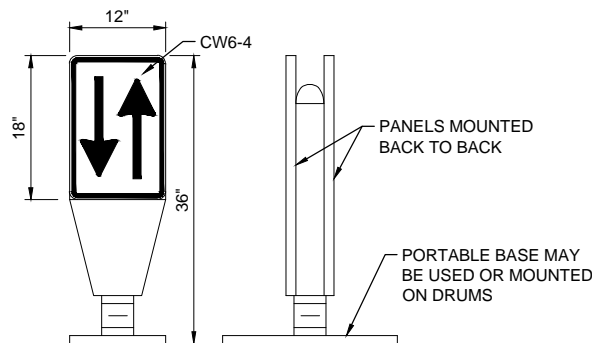
DRAWING NUMBER
G-306

SHEET NUMBER
12



TRAFFIC CONTROL NOTES:

1. THE CONTRACTOR IS RESPONSIBLE FOR PLACEMENT AND MAINTENANCE OF ALL NECESSARY BARRICADES AS REQUIRED BY THE TOWN OF ADDISON. CONTRACTOR SHALL PROVIDE, INSTALL, AND MAINTAIN TRAFFIC CONTROL DEVICES IN CONFORMANCE WITH THE 2011 TEXAS MANUAL OF UNIFORM TRAFFIC CONTROL DEVICES (TMUTCD), TEXAS DEPARTMENT OF TRANSPORTATION. SIGNING AND BARRICADING SHALL BE SUBJECT TO INSPECTION BY THE CITY.
2. CONTRACTOR SHALL MAINTAIN MINIMUM LANE WIDTH OF 10'.
3. ALL EXISTING CONFLICTING SIGNS SHALL BE COVERED.



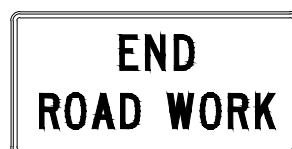
OPPOSING TRAFFIC LANE DIVIDERS (OTLD)



CW20-1
(36" x 36")



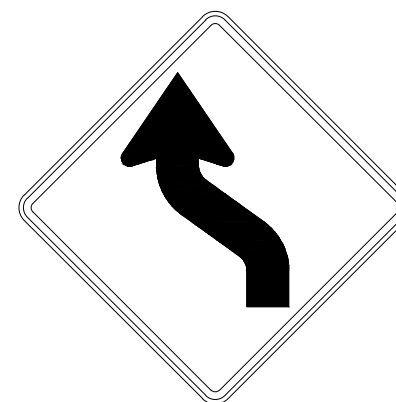
CW20-8T
(36" x 36")



G20-2
(36" x 18")



CW4-1aT
(LEFT)
(48" x 48")



CW1-4
(LEFT)
(36" x 36")

