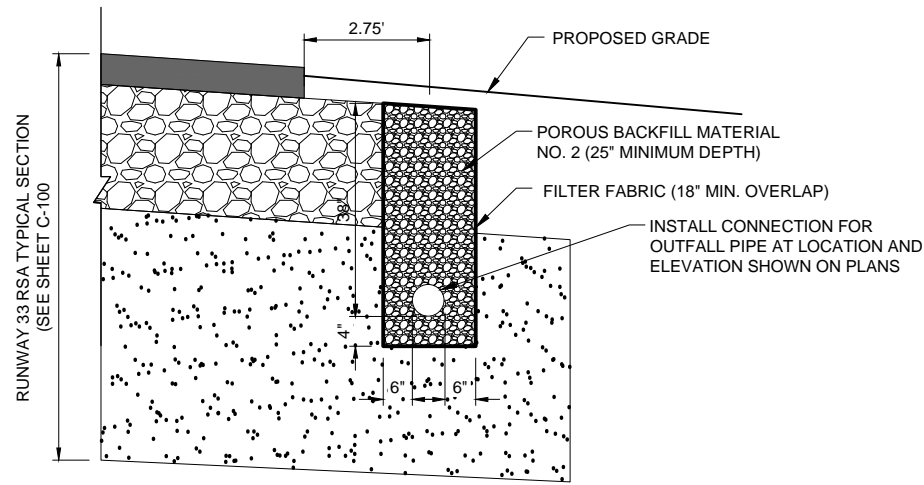
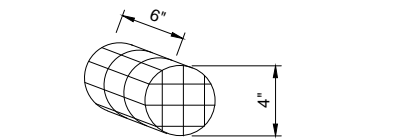


C-105
1 **UNDERDRAIN SYSTEM**
SCALE: NONE

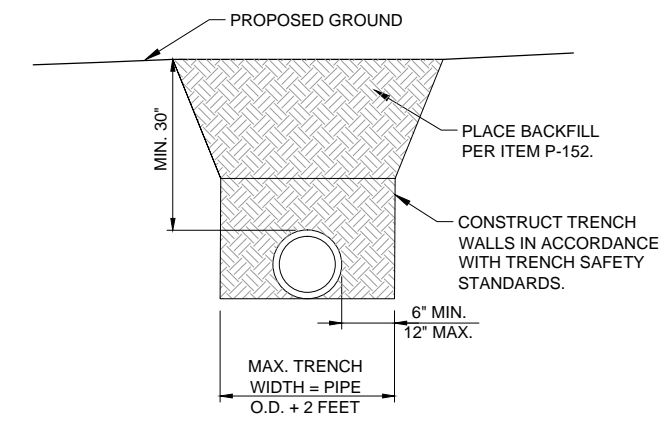


C-105
A **SECTION A-A**
SCALE: NONE

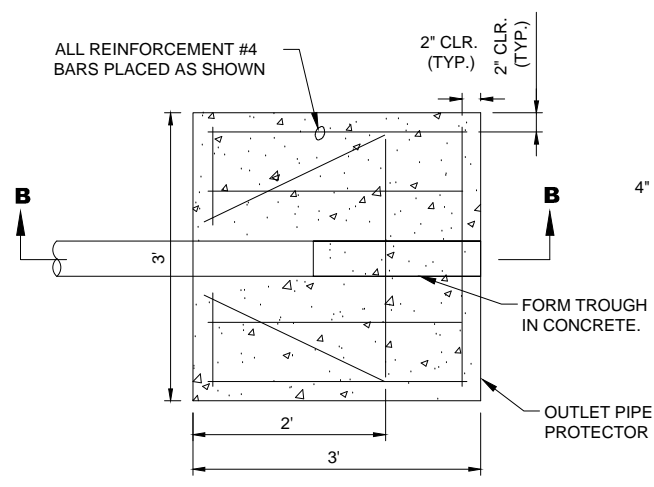


C-105
2 **RODENT SCREEN**
SCALE: NONE

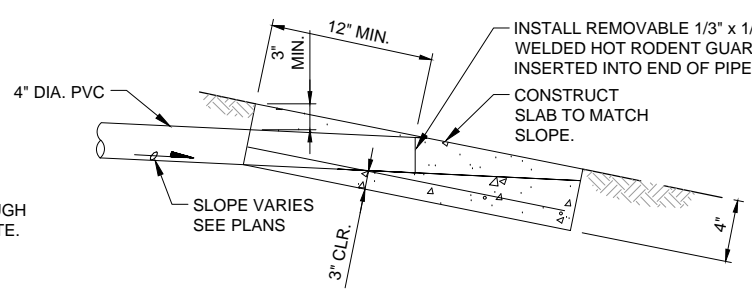
NOTE:
INSTALL FRONT EDGE OF SCREEN
6" UP INTO PIPE.



C-105
3 **OUTLET PIPE UNDER TURF**
SCALE: NONE

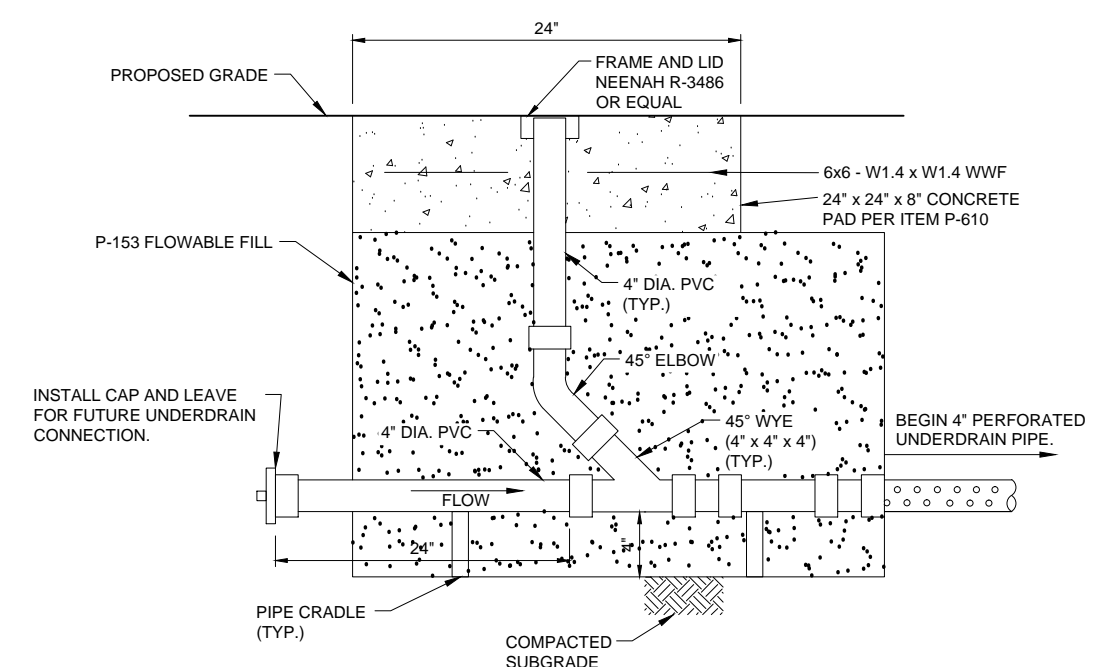


C-105
PLAN
SCALE: NONE



C-105
B **SECTION B-B**
SCALE: NONE

C-105
4 **OUTLET PROTECTOR**
SCALE: NONE



C-105
5 **UNDERDRAIN END CLEANOUT**
SCALE: NONE



REGISTRATION NO.
F-5713

RECORD DRAWINGS
03/10/2015

REV.	DATE	DESCRIPTION	BY



ADDISON AIRPORT
ADDISON, TEXAS

RUNWAY 33 RSA IMPROVEMENTS

EMAS UNDERDRAIN
DETAILS

JOB NO.: 13081100
DATE: NOV. , 2013
DESIGNED BY: BCB
DRAWN BY: BCB

BAR IS ONE INCH ON
ORIGINAL DRAWING
IF NOT ONE INCH ON
THIS SHEET, ADJUST
SCALES ACCORDINGLY.

DRAWING NUMBER
C-105

SHEET NUMBER
22

File: I:\2014\14081101 - ads emas construction\Drawings\RECORD\ADS_EMAS_C105_DD.dwg Last Save: 10/15/2014 1:41 PM Last saved by: Scjohson
Last plotted by: Suarez, Javier Plot Style: AECmono.ctb Plot Scale: 1:1 Plot Date: 3/10/2015 4:47 PM Plotter used: DWG To PDF.pc3