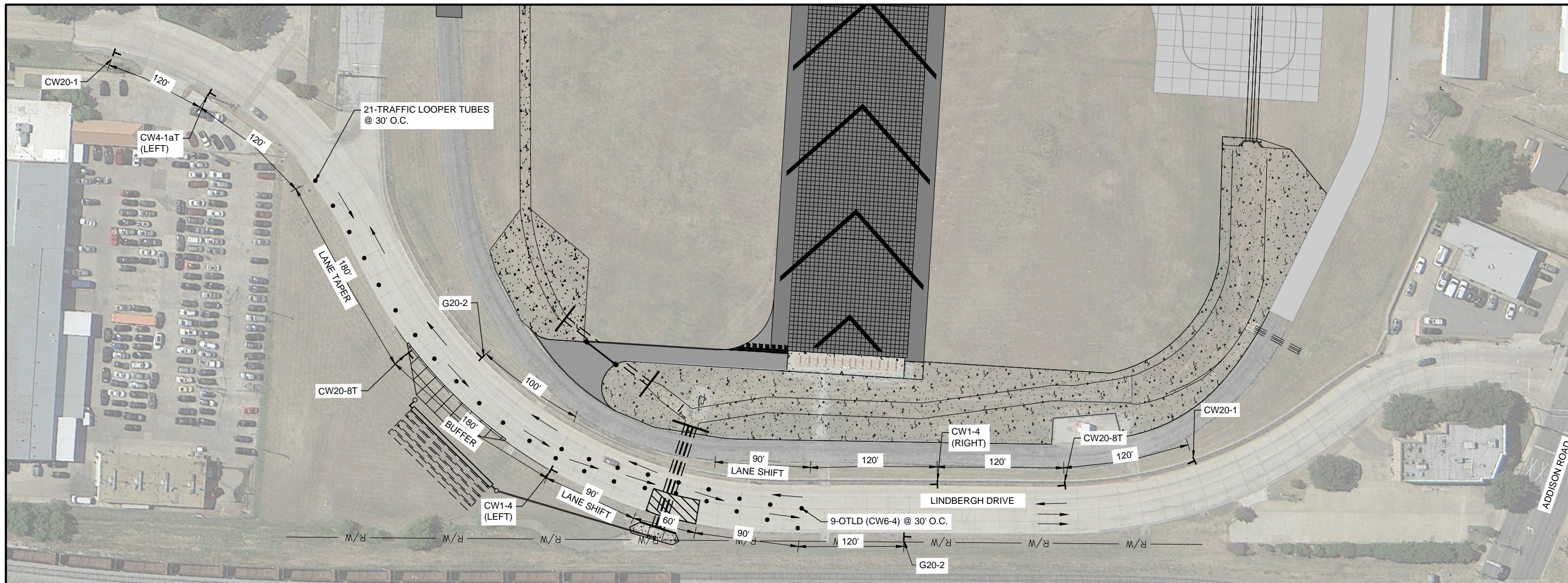
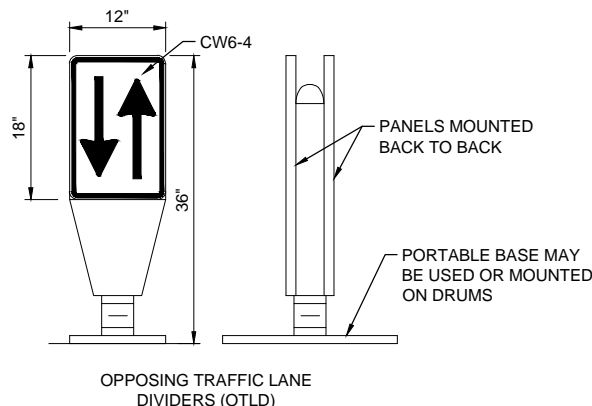


REV.	DATE	DESCRIPTION	BY



TRAFFIC CONTROL NOTES:

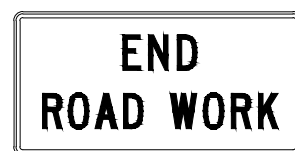
1. THE CONTRACTOR IS RESPONSIBLE FOR PLACEMENT AND MAINTENANCE OF ALL NECESSARY BARRICADES AS REQUIRED BY THE TOWN OF ADDISON. CONTRACTOR SHALL PROVIDE, INSTALL, AND MAINTAIN TRAFFIC CONTROL DEVICES IN CONFORMANCE WITH THE 2011 TEXAS MANUAL OF UNIFORM TRAFFIC CONTROL DEVICES (TMUTCD), TEXAS DEPARTMENT OF TRANSPORTATION. SIGNING AND BARRICADING SHALL BE SUBJECT TO INSPECTION BY THE CITY.
2. CONTRACTOR SHALL MAINTAIN MINIMUM LANE WIDTH OF 10'.
3. ALL EXISTING CONFLICTING SIGNS SHALL BE COVERED.



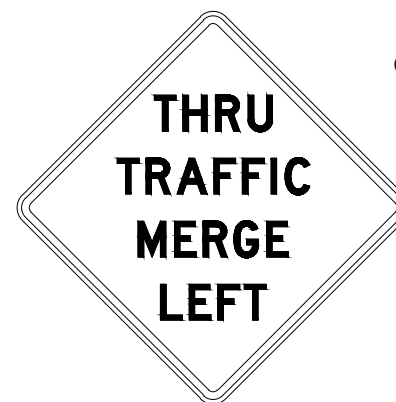
CW20-1
(36" x 36")



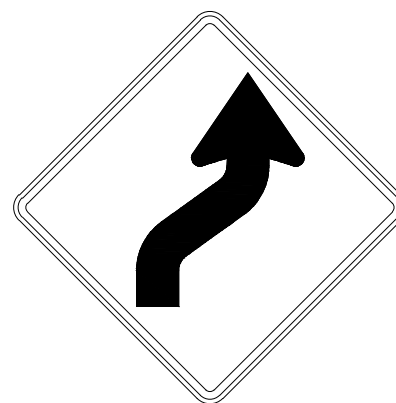
CW20-8T
(36" x 36")



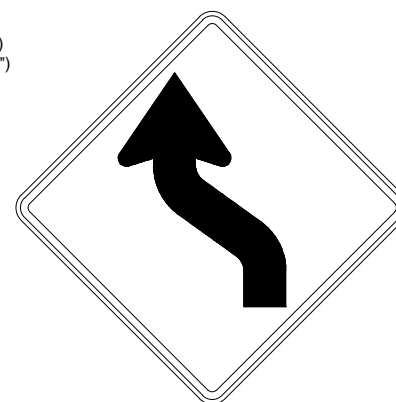
G20-2
(36" x 18")



CW4-1aT
(LEFT)
(48" x 48")



CW1-4
(RIGHT)
(36" x 36")



CW1-4
(LEFT)
(36" x 36")

