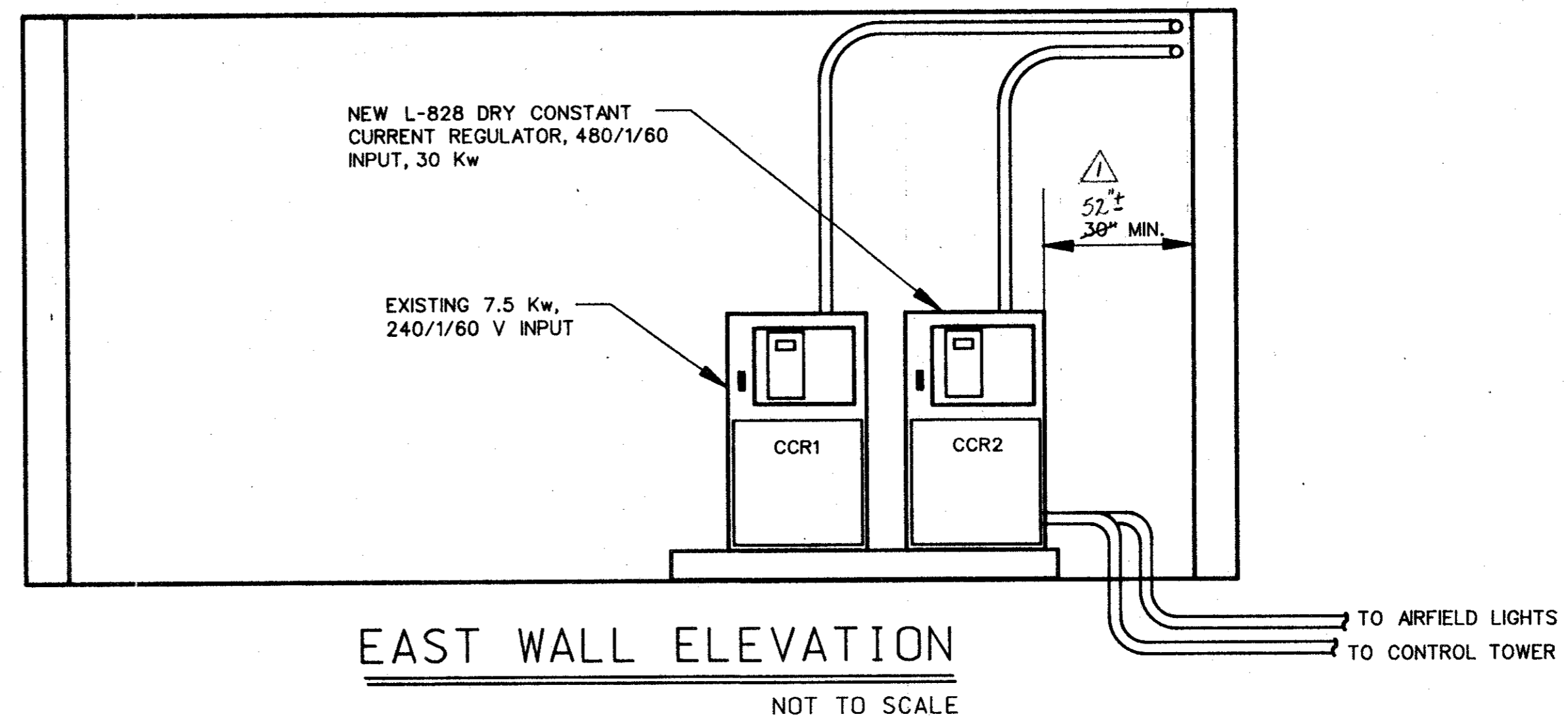
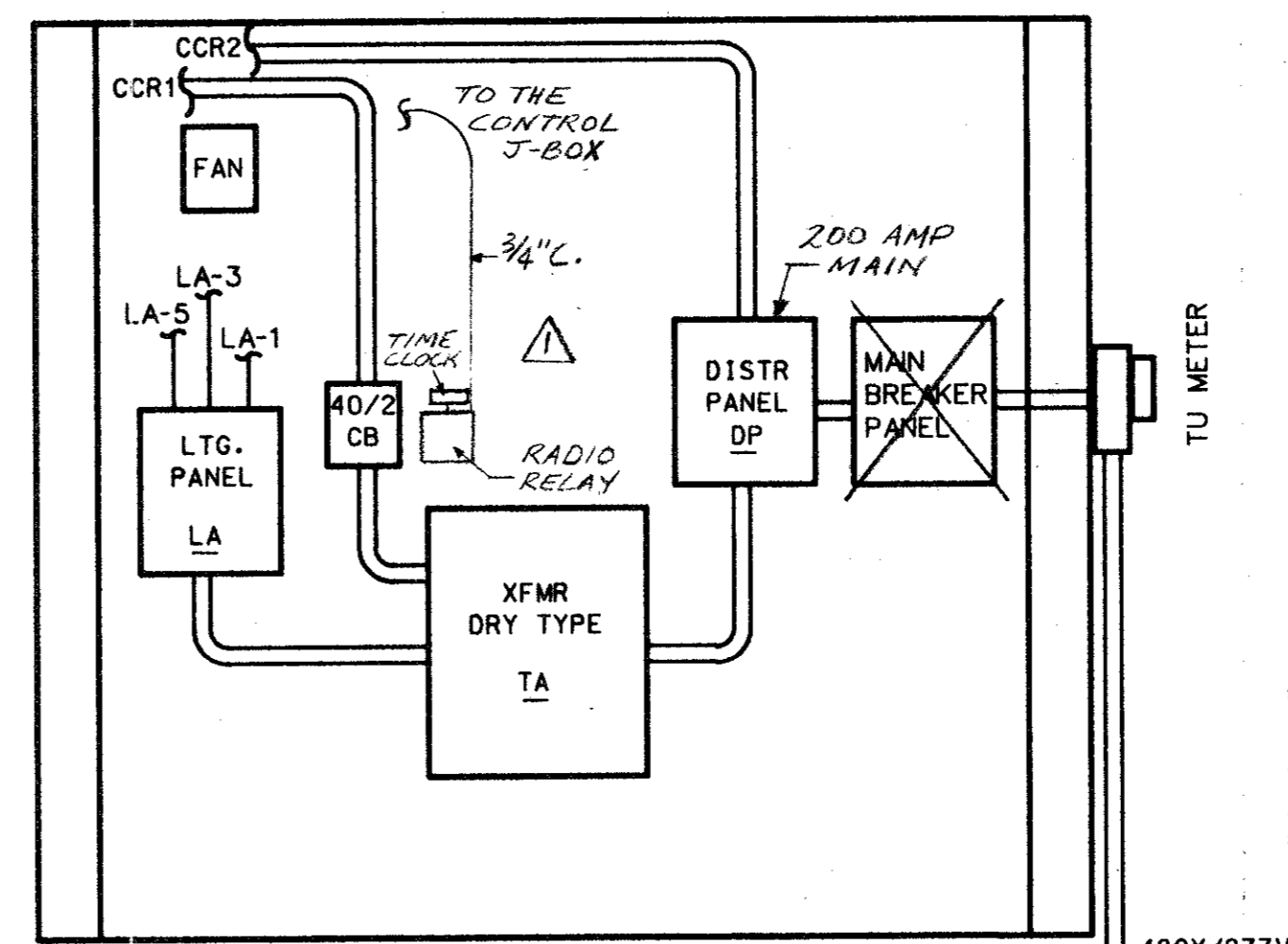


VAULT LAYOUT PLAN
NOT TO SCALE



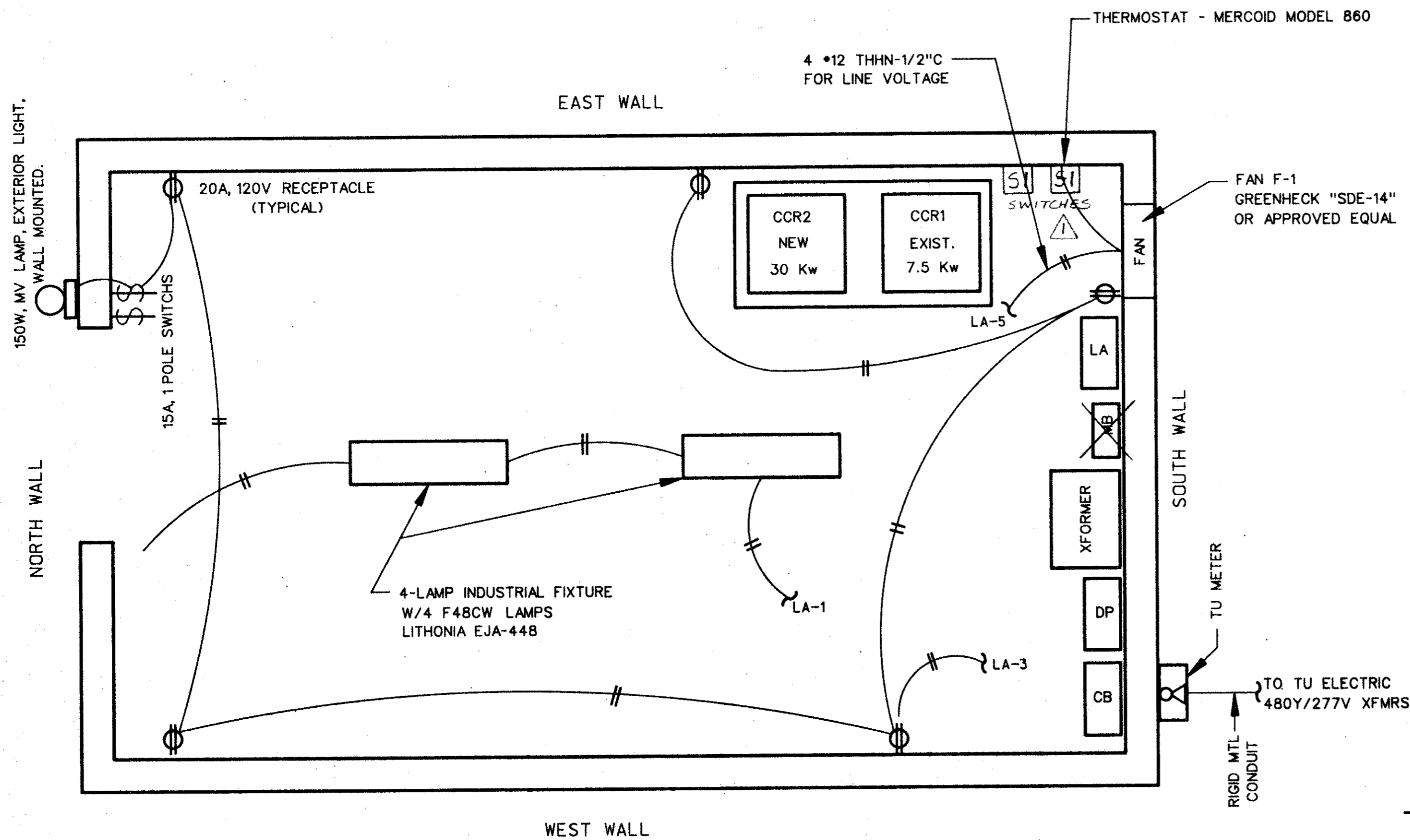
EAST WALL ELEVATION
NOT TO SCALE

BRANCH CIRCUIT TOTALS										MAIN DIST. PANEL	
29 KVA CONNECTED										225 AMP	
34 AMP CONNECTED										480 VOLT P-P	
REMARKS:										277 VOLT P-N	
1 GE TYPE CCB										3 PHASE	
										4 WIRE	
										25,000 AC	
LOAD (VA)	(AMP)	(HP)	TY	PKT NO.	DESCRIPTION	DEVICES	CONDUCTORS	CON	START		
7689	16			1	TRANSFORMER TA	CB 40 2 1	*8	*10	1"	NONE	
21000	44			2	CCR2	CB 60 2 1	*8	*10	1"	NONE	
				3	SPACE ONLY	CB 100 3					
				4	SPACE ONLY	CB 100 3					
				5	SPACE ONLY	CB 100 3					
				6	SPACE ONLY	CB 100 3					
				7	SPACE ONLY	CB 100 3					
				8	SPACE ONLY	CB 100 3					
				9	SPACE ONLY	CB 100 3					
				10	SPACE ONLY	CB 100 3					
				11	SPACE ONLY	CB 100 3					
				12	SPACE ONLY	CB 100 3					

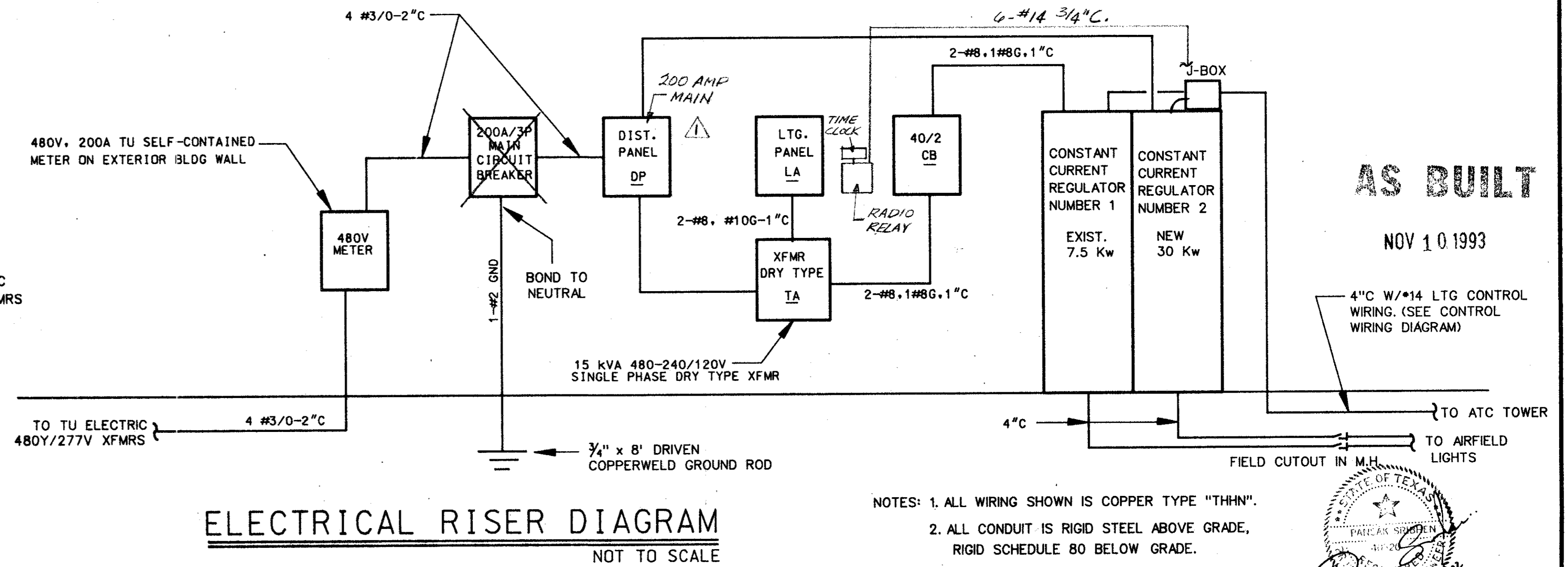


SOUTH WALL ELEVATION
NOT TO SCALE

GE TYPE AE										LIGHTING PANEL BOARD								
REMARKS:										50 AMP								
1 SURFACE MOUNTED										240 VOLT P-P								
2 PROVIDE GROUND BUS										120 VOLT P-N								
										1 PHASE								
										3 WIRE								
										10,000 AC SYMMETRICAL								
B PH (AMP)	A PH (AMP)	N (AMP)	LOAD (VA)	TY	DESCRIPTION	WIRE	PKT BK AMP /P	NO	NO	PKT BK AMP /P	WIRE	DESCRIPTION	TY	LOAD (VA)	N (AMP)	A PH (AMP)	B PH (AMP)	
	2.5	2.5	300	LT	LIGHTING	#12 20/1	1	2	/1			SPACE ONLY						
	7.5	7.5	900	RP	RECEPTACLES	#12 20/1	3	4	/1			SPACE ONLY						
		9.3	9.3	MM	FAN F-1	#12 20/1	5	6	/1			SPACE ONLY						
					SPARE	20/1	7	8	/1			SPACE ONLY						
					SPARE	20/1	9	10	/1			SPACE ONLY						
					SPARE	20/1	11	12	/1			SPACE ONLY						
					SPARE	20/1	13	14	/1			SPACE ONLY						
					SPARE	20/1	15	16	/1			SPACE ONLY						
					SPARE	20/1	17	18	/1			SPACE ONLY						



VAULT WIRING DIAGRAM
NOT TO SCALE



ELECTRICAL RISER DIAGRAM
NOT TO SCALE

NOTES: 1. ALL WIRING SHOWN IS COPPER TYPE "THHN".
2. ALL CONDUIT IS RIGID STEEL ABOVE GRADE, RIGID SCHEDULE 80 BELOW GRADE.

AS BUILT
NOV 10 1993

- NOTES:
- ALL ELECTRICAL WORKS SHALL CONFORM TO THE NATIONAL ELECTRICAL CODE
 - CONDUCTORS SHALL BE COPPER THWN
 - CONDUITS SHALL BE RIGID GALVANIZED STEEL ABOVE GRADE, SCHEDULE 80 PVC NON-METALLIC RIGID BELOW GRADE

DESIGN: G. DABNEY, P.E.	A.I.P. NO. 3-48-0063-04-92		
DRAWN: PSA ENGINEERING	BD NO.: 92-29	11-8-93	AS-BUILT REVISIONS
CHECKED: G. DABNEY, P.E.	JOB NO.: PSA 9205	Date	Revisions
SCALE:		By	J.R.H.

Greiner Fort Worth, Texas
Engineers, Architects and Planners

In Association With
ASA ENGINEERING DALLAS, TEXAS



ADDISON AIRPORT

ELECTRICAL VAULT PLAN/LAYOUT

